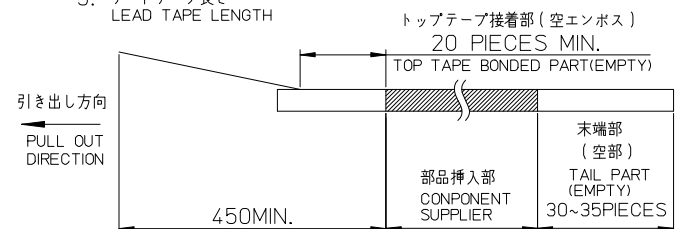


NOTES

- 製品詳細寸法は製品単体図面を参照して下さい。  
FOR DETAIL OF CONNECTOR DIMENSIONS,  
PLEASE SEE THE DRAWING OF CONNECTOR ITSELF (NOT PACKAGED).
- 梱包数量 : 1200個  
NUMBER OF CONNECTORS : 1200 PIECES/REEL.
- リードテープ長さ  
LEAD TAPE LENGTH




- 材料 MATERIAL  
キャリアテープ : ポリスチレン (PS)  
CARRIER TAPE : POLYSTYRENE (PS)  
トップテープ : ポリエステル (PET)、その他  
TOP TAPE : POLYESTER (PET)、OTHER  
リール : ポリスチレン (PS) <リサイクル材を含む>  
REEL : POLYSTYRENE (PS) <RECYCLE MATERIAL CONTAINED>
- トップテープの剥離強度については、IEC60286-3に準拠。  
TOP TAPE PEEL FORCE IS DEFINED BY IEC60286-3.

|      |      |      |                                |   |                  |
|------|------|------|--------------------------------|---|------------------|
| 49.4 | 45.4 | 20.2 | 44                             | 504195167*  | 16               |
| 49.4 | 45.4 | 20.2 | 44                             | 504195157*  | 15               |
| 49.4 | 45.4 | 20.2 | 44                             | 504195147*  | 14               |
| 37.4 | 33.4 | 14.2 | 32                             | 504195137*  | 13               |
| 37.4 | 33.4 | 14.2 | 32                             | 504195127*  | 12               |
| 37.4 | 33.4 | 14.2 | 32                             | 504195117*  | 11               |
| 37.4 | 33.4 | 14.2 | 32                             | 504195107*  | 10               |
| 29.4 | 25.4 | 11.5 | 24                             | 504195097*  | 9                |
| 29.4 | 25.4 | 11.5 | 24                             | 504195087*  | 8                |
| 29.4 | 25.4 | 11.5 | 24                             | 504195077*  | 7                |
| 29.4 | 25.4 | 11.5 | 24                             | 504195067*  | 6                |
| 29.4 | 25.4 | 11.5 | 24                             | 504195057*  | 5                |
| 29.4 | 25.4 | 11.5 | 24                             | 504195047*  | 4                |
| 21.4 | 17.4 | 7.5  | 16                             | 504195037*  | 3                |
| 21.4 | 17.4 | 7.5  | 16                             | 504195027*  | 2                |
| D    | C    | B    | エンボステープ幅<br>WIDTH OF TAPE<br>A | エンボス梱包<br>EMBOSSED TAPE<br>PACKAGE<br>オーダー番号<br>ORDER NO. | 極数<br>(K.T. NO.) |

|   |   |  |                        |                        |  |                               |
|---|---|--|------------------------|------------------------|--|-------------------------------|
| RELEASED<br>EC NO: J2014-0166<br>DRW:SSAT002 2013/07/29<br>CHKD:KASAKAWA 2013/07/30<br>APPR:NUKITA 2013/08/08 | DESCRIPTION<br>GENERAL TOLERANCES<br>(UNLESS SPECIFIED) | DIMENSION STYLE<br>MM ONLY   | SCALE<br>2:1           | DESIGN UNITS<br>METRIC | THIRD ANGLE<br>PROJECTION                                |                               |
|   |   | 10 UNDER ±0.2  | DRAWN BY<br>SSAT002    | DATE<br>2013/07/29     | TITLE<br>EMBOSSED TAPE PKG FOR<br>1.25 WTB SINGLE RA SMT |                               |
|   |   | 10 OVER 30 UNDER ±0.25   | CHECKED BY<br>KASAKAWA | DATE<br>2013/07/30     | <b>molex</b>   |                               |
|   |   | 30 OVER ±0.3   | APPROVED BY<br>NUKITA  | DATE<br>2013/08/08     | MATERIAL NO.<br>SEE SHEET 2                              | DOCUMENT NO.<br>SD-504195-001 |
| ANGULAR ±1 °<br>DRAFT WHERE APPLICABLE<br>MUST REMAIN<br>WITHIN DIMENSIONS                                    | SIZE<br>A3  | THIS DRAWING CONTAINS INFORMATION THAT IS PROPRIETARY TO MOLEX<br>INCORPORATED AND SHOULD NOT BE USED WITHOUT WRITTEN PERMISSION |                        |                        |  |                               |

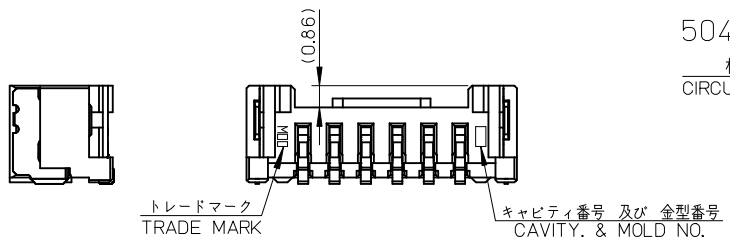
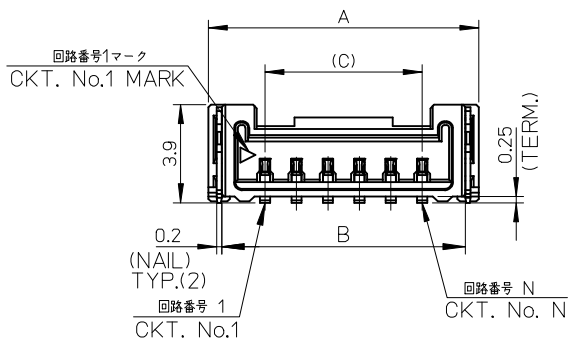
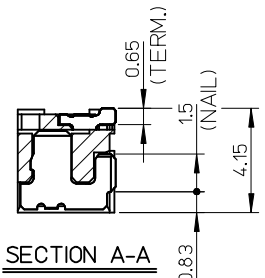
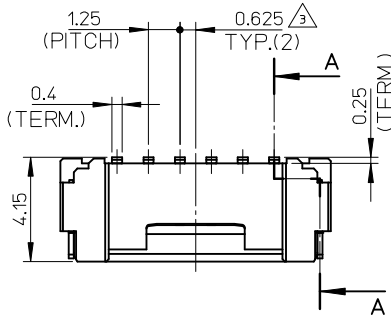
ELV AND RoHS COMPLIANT

| HSG COLOR ORANGE                              | HSG COLOR GREEN                               | HSG COLOR BLUE                                | HSG COLOR YELLOW                              | HSG COLOR RED                                 | HSG COLOR BLACK                               | HSG COLOR NATURAL (BEIGE)                     |               |
|---|---|---|---|---|---|---|---------------|
| 5041951678                                    | 5041951676                                    | 5041951674                                    | 5041951673                                    | 5041951672                                    | 5041951671                                    | 5041951670                                    | 16            |
| 5041951578                                    | 5041951576                                    | 5041951574                                    | 5041951573                                    | 5041951572                                    | 5041951571                                    | 5041951570                                    | 15            |
| 5041951478                                    | 5041951476                                    | 5041951474                                    | 5041951473                                    | 5041951472                                    | 5041951471                                    | 5041951470                                    | 14            |
| 5041951378                                    | 5041951376                                    | 5041951374                                    | 5041951373                                    | 5041951372                                    | 5041951371                                    | 5041951370                                    | 13            |
| 5041951278                                    | 5041951276                                    | 5041951274                                    | 5041951273                                    | 5041951272                                    | 5041951271                                    | 5041951270                                    | 12            |
| 5041951178                                    | 5041951176                                    | 5041951174                                    | 5041951173                                    | 5041951172                                    | 5041951171                                    | 5041951170                                    | 11            |
| 5041951078                                    | 5041951076                                    | 5041951074                                    | 5041951073                                    | 5041951072                                    | 5041951071                                    | 5041951070                                    | 10            |
| 5041950978                                    | 5041950976                                    | 5041950974                                    | 5041950973                                    | 5041950972                                    | 5041950971                                    | 5041950970                                    | 9             |
| 5041950878                                    | 5041950876                                    | 5041950874                                    | 5041950873                                    | 5041950872                                    | 5041950871                                    | 5041950870                                    | 8             |
| 5041950778                                    | 5041950776                                    | 5041950774                                    | 5041950773                                    | 5041950772                                    | 5041950771                                    | 5041950770                                    | 7             |
| 5041950678                                    | 5041950676                                    | 5041950674                                    | 5041950673                                    | 5041950672                                    | 5041950671                                    | 5041950670                                    | 6             |
| 5041950578                                    | 5041950576                                    | 5041950574                                    | 5041950573                                    | 5041950572                                    | 5041950571                                    | 5041950570                                    | 5             |
| 5041950478                                    | 5041950476                                    | 5041950474                                    | 5041950473                                    | 5041950472                                    | 5041950471                                    | 5041950470                                    | 4             |
| 5041950378                                    | 5041950376                                    | 5041950374                                    | 5041950373                                    | 5041950372                                    | 5041950371                                    | 5041950370                                    | 3             |
| 5041950278                                    | 5041950276                                    | 5041950274                                    | 5041950273                                    | 5041950272                                    | 5041950271                                    | 5041950270                                    | 2             |
| EMBOSSSED TAPE PACKAGE<br>オーダー番号<br>ORDER NO. | EMBOSSSED TAPE PACKAGE<br>オーダー番号<br>ORDER NO. | EMBOSSSED TAPE PACKAGE<br>オーダー番号<br>ORDER NO. | EMBOSSSED TAPE PACKAGE<br>オーダー番号<br>ORDER NO. | EMBOSSSED TAPE PACKAGE<br>オーダー番号<br>ORDER NO. | EMBOSSSED TAPE PACKAGE<br>オーダー番号<br>ORDER NO. | EMBOSSSED TAPE PACKAGE<br>オーダー番号<br>ORDER NO. | 極数<br>CKT.NO. |

|  |  |   |  |   |                        |                        |  |
|--|--|---|--|---|------------------------|------------------------|--|
| RELEASED<br>EC NO: J2014-0166<br>DRWN:SSAT002 2013/07/29<br>CHKD:KASAKAWA 2013/07/30<br>APPR:NUKITA 2013/08/08 | DESCRIPTION  | GENERAL TOLERANCES (UNLESS SPECIFIED)   | DIMENSION STYLE<br>MM ONLY             | SCALE<br>2:1  | DESIGN UNITS<br>METRIC | THIRD ANGLE PROJECTION |  |
|  | REV  | 10 UNDER ± 0.2  | DRAWN BY DATE<br>SSAT002 2013/07/29    | TITLE<br>EMBOSSSED TAPE PKG FOR 1.25 WTB SINGLE RA SMT                                |                        |                        |  |
|  |  | 10 OVER 30 UNDER ± 0.25   | CHECKED BY DATE<br>KASAKAWA 2013/07/30 |  |                        |                        |  |
|  |  | 30 OVER ± 0.3   | APPROVED BY DATE<br>NUKITA 2013/08/08  |   |                        |                        |  |
|  |  | ANGULAR ± 1 °   | MATERIAL NO.<br>SEE TABLE              | DOCUMENT NO.<br>SD-504195-001   | SHEET NO.<br>2 OF 2    |                        |  |
|  | DRAFT WHERE APPLICABLE MUST REMAIN WITHIN DIMENSIONS | THIS DRAWING CONTAINS INFORMATION THAT IS PROPRIETARY TO MOLEX INCORPORATED AND SHOULD NOT BE USED WITHOUT WRITTEN PERMISSION |  |   |                        |                        |  |

NOTES

1. 嵌合相手: 504193\*\*0\*  
MATE WITH: 504193\*\*0\*
2. 端子テール部 及び ネイルの平坦度: 0.1MAX.  
TAIL AND NAIL COPLANARITY TO BE 0.1 MAX.
- △ 極数/2=偶数に適用。  
APPLY FOR CKT. SIZE / 2 = EVEN.
4. 端子テール部 及び ネイルに錫めっきを使用しているため、  
外觀に摺動痕が付く場合が御座います。  
THE WOUND OF FRICTION MIGHT ADHERE TO EXTERNALS  
BECAUSE THE TIN PLATING IS USED FOR THE TAIL AND NAIL.
5. 本製品のプラスチック部に黒点等が確認される場合や  
色合いが異なる場合がありますが、製品性能に影響はありません。  
THERE IS NO INFLUENCE IN THE PRODUCT PERFORMANCE THOUGH  
THE BLACK SPOT ETC. MIGHT BE CONFIRMED TO THE PLASTIC PART  
OF THIS PRODUCT AND THE SHADE MIGHT BE DIFFERENT.
6. アプリケーション仕様書(コネクタ取扱説明書): AS-504193-001/-002  
APPLICATION SPECIFICATIONS(CONNECTOR MANUAL): AS-504193-001/-002
7. 製品仕様書: PS-504193-001  
PRODUCT SPECIFICATION: PS-504193-001
8. 製品番号 MATERIAL No.



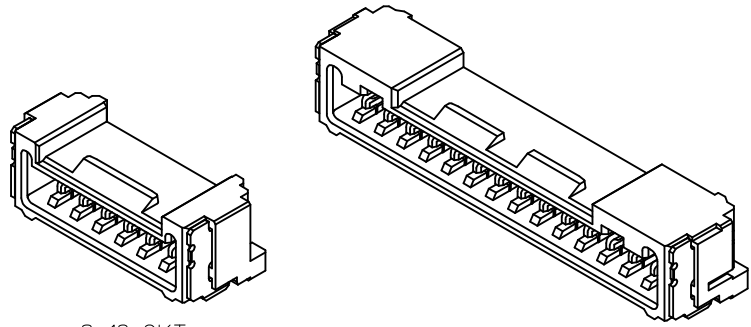
504195\*\*0\*  
CIRCUIT SIZE      色

| NO. | COLOR   |
|-----|---------|
| 0   | NATURAL |
| 1   | BLACK   |
| 2   | RED     |
| 3   | YELLOW  |
| 4   | BLUE    |
| 6   | GREEN   |
| 8   | ORANGE  |

|      |       |       |       |                       |          |
|------|-------|-------|-------|-----------------------|----------|
| 10.7 | 18.75 | 22.2  | 23.25 | 504195167*            | 16       |
| 10.7 | 17.5  | 20.95 | 22    | 504195157*            | 15       |
| 10.7 | 16.25 | 19.7  | 20.75 | 504195147*            | 14       |
| 9.2  | 15    | 18.45 | 19.5  | 504195137*            | 13       |
| 9.2  | 13.75 | 17.2  | 18.25 | 504195127*            | 12       |
| 9.2  | 12.5  | 15.95 | 17    | 504195117*            | 11       |
| 9.2  | 11.25 | 14.7  | 15.75 | 504195107*            | 10       |
| 6.7  | 10    | 13.45 | 14.5  | 504195097*            | 9        |
| 6.7  | 8.75  | 12.2  | 13.25 | 504195087*            | 8        |
| 6.7  | 7.5   | 10.95 | 12    | 504195077*            | 7        |
| 6.6  | 6.25  | 9.7   | 10.75 | 504195067*            | 6        |
| 5.35 | 5     | 8.45  | 9.5   | 504195057*            | 5        |
| 4.4  | 3.75  | 7.2   | 8.25  | 504195047*            | 4        |
| 2.85 | 2.5   | 5.95  | 7     | 504195037*            | 3        |
| 1.9  | 1.25  | 4.7   | 5.75  | 504195027*            | 2        |
| D    | C     | B     | A     | EMBOSSED TAPE PACKAGE | 極数       |
|      |       |       |       | オーダー番号                | CKT. NO. |
|      |       |       |       | ORDER NO.             |          |

| 部品 PART        | 材質 MATERIAL   |
|----------------|---|
| ハウジング HOUSING  | ポリアミド(PA), ガラス充填, UL94 V-0, 色: SEET3参照<br>POLYAMIDE(PA), GALASS FILED, UL94 V-0, COLOR: SEE SHEET 3 |
| ターミナル TERMINAL | 黄銅 BRASS  |
|                | 錫めっき: 1.0 micro-meter MIN.<br>TIN   |
|                | ニッケルめっき(下地): 1.0 micro-meter MIN.<br>NICKEL (UNDER PLATING)   |
| ネイル NAIL       | 黄銅 BRASS  |
|                | 錫めっき: 1.0 micro-meter MIN.<br>TIN   |
|                | ニッケルめっき(下地): 1.0 micro-meter MIN.<br>NICKEL (UNDER PLATING)   |

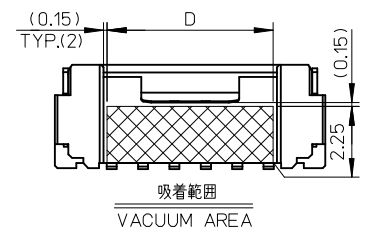
|   |  |                                       |  |                     |  |                                   |              |                        |
|---|--|---------------------------------------|--|---------------------|--|-----------------------------------|--------------|------------------------|
| REVISED<br>EC NO: J2016-0928<br>DRWN:SSAT007<br>CHKD:KASAKAWA<br>APPR:TKANEKO   | 2016/03/29<br>2016/03/29<br>2016/03/29 | GENERAL TOLERANCES (UNLESS SPECIFIED) |  | DIMENSION STYLE     |  | SCALE                             | DESIGN UNITS | THIRD ANGLE PROJECTION |
|   |  | 0.25 UNDER ±0.03                      |  | MM ONLY             |  | 5:1                               | METRIC       |                        |
|   |  | 0.25 OVER 0.5 UNDER ±0.05             |  | DRAWN BY DATE       |  | TITLE                             |              |                        |
|   |  | 0.5 OVER 1.0 UNDER ±0.1               |  | SSAT002 2013/07/29  |  | 1.25 WTB SINGLE SMT RA PLUG ASS'Y |              |                        |
| REV B   | DESCRIPTION                            | 1.0 OVER 10 UNDER ±0.1                |  | CHECKED BY DATE     |  |                                   |              |                        |
|   |  | 10 OVER 30 UNDER ±0.2                 |  | KASAKAWA 2013/07/30 |  |                                   |              |                        |
|   |  | 30 OVER ±0.3                          |  | APPROVED BY DATE    |  |                                   |              |                        |
|   |  | ANGULAR ±1 °                          |  | NUKITA 2013/08/08   |  |                                   |              |                        |
| DRAFT WHERE APPLICABLE MUST REMAIN WITHIN DIMENSIONS  |  |                                       |  | MATERIAL NO.        |  | DOCUMENT NO.                      |              | SHEET NO.              |
|   |  |                                       |  | SEE SHEET 3         |  | SD-504195-002                     |              | 1 OF 3                 |
| THIS DRAWING CONTAINS INFORMATION THAT IS PROPRIETARY TO MOLEX ELECTRONIC TECHNOLOGIES, LLC AND SHOULD NOT BE USED WITHOUT WRITTEN PERMISSION |  |                                       |  |                     |  |                                   |              |                        |



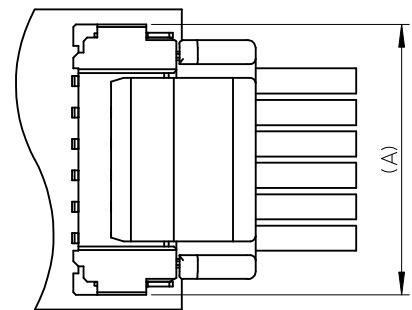
2~13 CKT.

14~16 CKT.

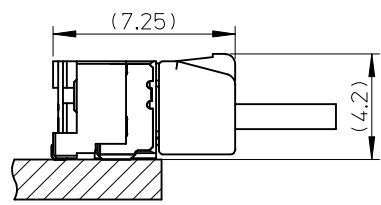
係止形状違い  
DIFFERENCE OF LOCK SHAPE



吸着範囲  
VACUUM AREA



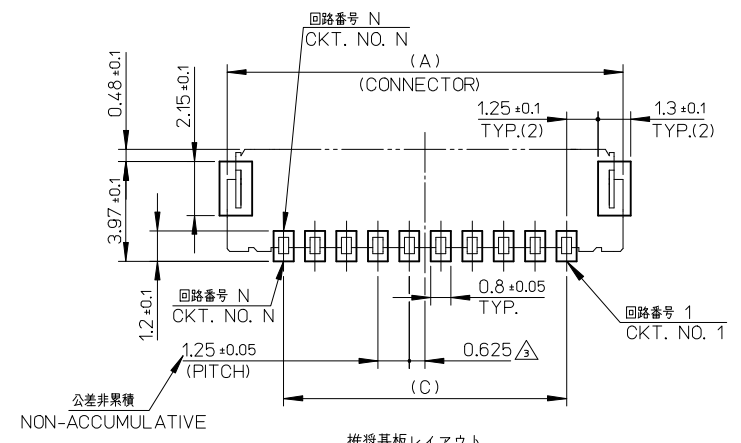
(A)



(7.25)

(4.2)

嵌合図  
MATED CONNECTORS



公差非累積  
NON-ACCUMULATIVE


推奨基板レイアウト

RECOMMENDED P.C.B. PATTERN LAYOUT  
(参考:メタルマスク厚さ:150μm, マスク開口率100%)  
(REFERENCE:MATAL MASK THICKNESS:150μm, APERTURE RASIO:100%)

|   |                                       |              |                            |            |                                   |                        |                        |
|---|---------------------------------------|--------------|----------------------------|------------|-----------------------------------|------------------------|------------------------|
| SEE SHEET 1<br>EC NO: J2016-0928<br>DRWN:SSAT002 2016/03/29<br>CHKD:KASAKAWA 2016/03/29<br>APPR:TKANEKO 2016/03/29                            | GENERAL TOLERANCES (UNLESS SPECIFIED) |              | DIMENSION STYLE<br>MM ONLY |            | SCALE<br>5:1                      | DESIGN UNITS<br>METRIC | THIRD ANGLE PROJECTION |
|   | 0.25 UNDER                            | ±0.03        | DRAWN BY                   | DATE       | TITLE                             |                        |                        |
|   | 0.25 OVER 0.5 UNDER                   | ±0.05        | SSAT002                    | 2013/07/29 | 1.25 WTB SINGLE SMT RA PLUG ASS'Y |                        |                        |
|   | 0.5 OVER 1.0 UNDER                    | ±0.1         | CHECKED BY                 | DATE       |                                   |                        |                        |
|   | 1.0 OVER 10 UNDER                     | ±0.2         | KASAKAWA                   | 2013/07/30 |                                   |                        |                        |
| 10 OVER 30 UNDER  | ±0.25                                 | APPROVED BY  | DATE                       |            |                                   |                        |                        |
| 30 OVER   | ±0.3                                  | NUKITA       | 2013/08/08                 |            |                                   |                        |                        |
| ANGULAR   | ±1 °                                  | MATERIAL NO. |                            |            | DOCUMENT NO.                      |                        |                        |
| DRAFT WHERE APPLICABLE MUST REMAIN WITHIN DIMENSIONS  |                                       | SIZE<br>A3   | SEE SHEET 3                |            | SD-504195-002                     | SHEET NO.<br>2 OF 3    |                        |
| THIS DRAWING CONTAINS INFORMATION THAT IS PROPRIETARY TO MOLEX ELECTRONIC TECHNOLOGIES, LLC AND SHOULD NOT BE USED WITHOUT WRITTEN PERMISSION |                                       |              |                            |            |                                   |                        |                        |

ELV AND RoHS COMPLIANT

| HSG COLOR ORANGE                              | HSG COLOR GREEN                               | HSG COLOR BLUE                                | HSG COLOR YELLOW                              | HSG COLOR RED                                 | HSG COLOR BLACK                               | HSG COLOR NATURAL (BEIGE)                     |               |
|---|---|---|---|---|---|---|---------------|
| 5041951678                                    | 5041951676                                    | 5041951674                                    | 5041951673                                    | 5041951672                                    | 5041951671                                    | 5041951670                                    | 16            |
| 5041951578                                    | 5041951576                                    | 5041951574                                    | 5041951573                                    | 5041951572                                    | 5041951571                                    | 5041951570                                    | 15            |
| 5041951478                                    | 5041951476                                    | 5041951474                                    | 5041951473                                    | 5041951472                                    | 5041951471                                    | 5041951470                                    | 14            |
| 5041951378                                    | 5041951376                                    | 5041951374                                    | 5041951373                                    | 5041951372                                    | 5041951371                                    | 5041951370                                    | 13            |
| 5041951278                                    | 5041951276                                    | 5041951274                                    | 5041951273                                    | 5041951272                                    | 5041951271                                    | 5041951270                                    | 12            |
| 5041951178                                    | 5041951176                                    | 5041951174                                    | 5041951173                                    | 5041951172                                    | 5041951171                                    | 5041951170                                    | 11            |
| 5041951078                                    | 5041951076                                    | 5041951074                                    | 5041951073                                    | 5041951072                                    | 5041951071                                    | 5041951070                                    | 10            |
| 5041950978                                    | 5041950976                                    | 5041950974                                    | 5041950973                                    | 5041950972                                    | 5041950971                                    | 5041950970                                    | 9             |
| 5041950878                                    | 5041950876                                    | 5041950874                                    | 5041950873                                    | 5041950872                                    | 5041950871                                    | 5041950870                                    | 8             |
| 5041950778                                    | 5041950776                                    | 5041950774                                    | 5041950773                                    | 5041950772                                    | 5041950771                                    | 5041950770                                    | 7             |
| 5041950678                                    | 5041950676                                    | 5041950674                                    | 5041950673                                    | 5041950672                                    | 5041950671                                    | 5041950670                                    | 6             |
| 5041950578                                    | 5041950576                                    | 5041950574                                    | 5041950573                                    | 5041950572                                    | 5041950571                                    | 5041950570                                    | 5             |
| 5041950478                                    | 5041950476                                    | 5041950474                                    | 5041950473                                    | 5041950472                                    | 5041950471                                    | 5041950470                                    | 4             |
| 5041950378                                    | 5041950376                                    | 5041950374                                    | 5041950373                                    | 5041950372                                    | 5041950371                                    | 5041950370                                    | 3             |
| 5041950278                                    | 5041950276                                    | 5041950274                                    | 5041950273                                    | 5041950272                                    | 5041950271                                    | 5041950270                                    | 2             |
| EMBOSSSED TAPE PACKAGE<br>オーダー番号<br>ORDER NO. | EMBOSSSED TAPE PACKAGE<br>オーダー番号<br>ORDER NO. | EMBOSSSED TAPE PACKAGE<br>オーダー番号<br>ORDER NO. | EMBOSSSED TAPE PACKAGE<br>オーダー番号<br>ORDER NO. | EMBOSSSED TAPE PACKAGE<br>オーダー番号<br>ORDER NO. | EMBOSSSED TAPE PACKAGE<br>オーダー番号<br>ORDER NO. | EMBOSSSED TAPE PACKAGE<br>オーダー番号<br>ORDER NO. | 極数<br>CKT.NO. |

|   |                                       |                     |                    |  |                                   |              |  |
|---|---------------------------------------|---------------------|--------------------|--|-----------------------------------|--------------|--|
| SEE SHEET 1<br>EC NO: J2016-0928<br>DRWN:SSAT002 2016/03/29<br>CHKD:KASAKAWA 2016/03/29<br>APPR:TKANEKO 2016/03/29                            | GENERAL TOLERANCES (UNLESS SPECIFIED) |                     | DIMENSION STYLE    |  | SCALE                             | DESIGN UNITS | THIRD ANGLE PROJECTION<br>1.25 WTB SINGLE SMT RA PLUG ASS'Y<br><br>DOCUMENT NO. SD-504195-002<br>SHEET NO. 3 OF 3 |
|   | 0.25 UNDER ±0.03                      |                     | MM ONLY            |  | 5:1                               | METRIC       |  |
|   | 0.25 OVER                             | 0.5 UNDER ±0.05     | DRAWN BY DATE      |  | TITLE                             |              |  |
|   | 0.5 OVER                              | 1.0 UNDER ±0.1      | SSAT002 2013/07/29 |  | 1.25 WTB SINGLE SMT RA PLUG ASS'Y |              |  |
|   | 1.0 OVER                              | 10 UNDER ±0.2       | CHECKED BY DATE    |  |                                   |              |  |
| 10 OVER   | 30 UNDER ±0.25                        | KASAKAWA 2013/07/30 |                    |  |                                   |              |  |
| 30 OVER   | ±0.3                                  | APPROVED BY DATE    |                    |  |                                   |              |  |
| ANGULAR ±1 °  |                                       | NUKITA 2013/08/08   |                    |  |                                   |              |  |
| DRAFT WHERE APPLICABLE MUST REMAIN WITHIN DIMENSIONS  |                                       | SIZE                | MATERIAL NO.       |  |                                   |              |  |
|   |                                       | A3                  | SEE CHART          |  |                                   |              |  |
| THIS DRAWING CONTAINS INFORMATION THAT IS PROPRIETARY TO MOLEX ELECTRONIC TECHNOLOGIES, LLC AND SHOULD NOT BE USED WITHOUT WRITTEN PERMISSION |                                       |                     |                    |  |                                   |              |  |