

TPS22901/02/02B Load Switch EVM

User's Guide



Literature Number: SLVU287A
January 2009–Revised March 2009

1	TPS22901/02/02B Load Switch Evaluation Module (EVM)	5
1.1	Introduction	5
2	Schematics and Bill of Materials	7
2.1	EVM Options	7
2.2	Schematic.....	7
2.3	Bill of Materials.....	8
3	Board Layout	9
3.1	TPS22901/02/02B EVM Board.....	9
3.2	Layout Considerations	11
4	EVM Setup	13
4.1	Recommended Test Equipment.....	13
4.2	Calculating Voltage Drop and Load Current.....	13
5	Related Documentation from Texas Instruments	15
	Important Notices	16

List of Figures

3-1	TPS22901/02/02B EVM Component Placement	9
3-2	TPS22901/02/02B EVM Top-Side Layout	10
3-3	TPS22901/02/02B EVM Bottom-Side Layout.....	10
4-1	EVM Setup For Calculating Voltage Drop and Load Current.....	13

List of Tables

2-1	TPS22901/02/02B EVM Options	7
2.4	Bill of Materials	8

TPS22901/02/02B Load Switch Evaluation Module (EVM)

This user guide describes the TPS22901/02/02B evaluation module (EVM). This guide contains the EVM schematics, bill of materials, assembly drawings, and top and bottom board layouts.

1.1 Introduction

The TPS22901/02/02B EVM is an evaluation module for the Texas Instruments family of low-input voltage, ultra-low r_{ON} load switches. This EVM operates over a 1 V to 3.6 V range and provides a continuous output current of up to ≈ 110 mA. Additional open resistor and capacitor footprints allow for the use of customer-selected input and output load values.

The TPS22901/02/02B EVM accepts a YFP-4 packaged load switch for any of three (3) possible devices: TPS22901, TPS22902, or TPS22902B. These switches have a low threshold enable input, internally controlled slew rate, and ultra-low quiescent/shutdown current. The TPS22902 and TPS22902B also incorporate a 120- Ω quick output discharge resistor internally.

[Table 2-1](#) summarizes the available EVM options.

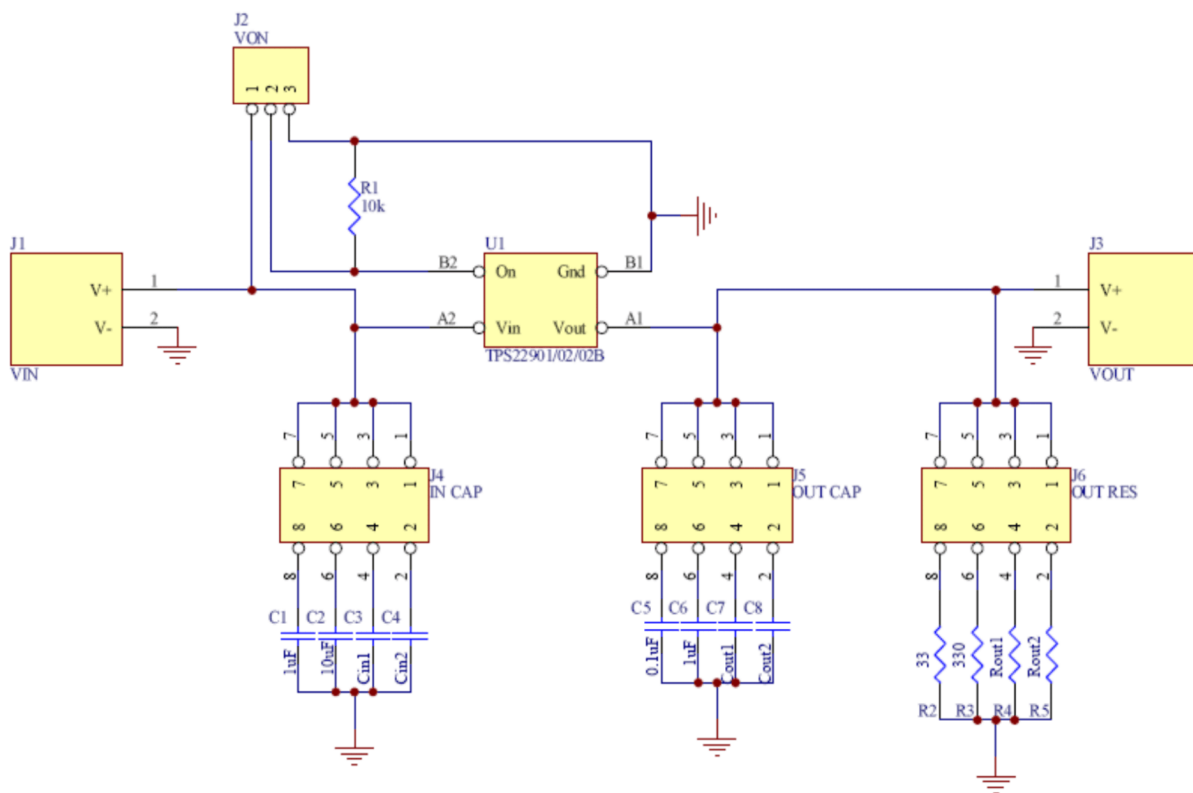
Schematics and Bill of Materials

2.1 EVM Options

Table 2-1. TPS22901/02/02B EVM Options

EVM	DEVICE	SLEW RATE	QUICK OUTPUT DISCHARGE	MAX OUTPUT CURRENT	ENABLE
HPA394-01	TPS22901	40 μs	No	500 mA	Active high
HPA394-02	TPS22902	40 μs	Yes	500 mA	Active high
HPA394-03	TPS22902B	220 μs	Yes	500 mA	Active high

2.2 Schematic



2.3 Bill of Materials

Table 2.4. Bill of Materials

QTY			REFDES	VALUE	DESCRIPTION	SIZE	PART NUMBER	MFR
-01	-02	-03						
1	1	1	–	–	Two-layer, 2420 × 2320 mil, PCB	2420 × 2320 mil	HPA394	Any
2	2	2	C1, C6	1 μF	Capacitor, ceramic, 25 V, X5R	805	GRM216R61E105KA12D	STD
1	1	1	C2	10 μF	Capacitor, ceramic, 16 V, X5R	805	GRM21BR61C106KE15L	STD
1	1	1	C5	0.1 μF	Capacitor, ceramic, 25 V, X7R	805	GRM21BR71E104KA01L	STD
0	0	0	C3, C4, C7, C8	–	Capacitor, ceramic, 16 V, X5R	805	–	STD
1	1	1	J2	–	Header, 3 × 1 pin, 100 mil spacing	0.100 × 0.100 in	PEC36SAAN	Sullins Connector Solutions
3	3	3	J4, J5, J6	–	Header, 4 × 2 pin, 100 mil spacing	0.100 × 0.100 in	PEC36DAAN	Sullins Connector Solutions
2	2	2	J1, J3	–	Terminal block, 6 A, 125 V, 3.5-mm pitch	7 × 6.5 mm	ED555/2DS	OnShore Technology
1	1	1	R1	10 kΩ	Resistor, chip, 1/8 W, 5%	805	ERJ-6GEYJ103V	STD
1	1	1	R2	33 Ω	Resistor, chip, 1/8 W, 5%	805	ERJ-6GEYJ330V	STD
1	1	1	R3	330 Ω	Resistor, chip, 1/8 W, 5%	805	ERJ-6GEYJ331V	STD
0	0	0	R4, R5	–	Resistor, chip, 1/8 W, 5%	805	–	STD
1	0	0	U1	TPS22901	IC, ultra-small, low-input voltage, low r_{ON} load switch	YFP/0.4-mm pitch WCSP	TPS22901YFPR	TI
0	1	0	U1	TPS22902	IC, ultra-small, low-input voltage, low r_{ON} load switch	YFP/0.4-mm pitch WCSP	TPS22902YFPR	TI
0	0	1	U1	TPS22902B	IC, ultra-small, low-input voltage, low r_{ON} load switch	YFP/0.4-mm pitch WCSP	TPS22902BYFPR	TI
3	3	3	–	–	Conn. jumper, shorting, gold, flash	0.100 × 0.256 in	SPC02SYAN	Sullins Connector Solutions
4	4	4	–	–	Bumpon, hemisphere, .44 × .20, clear	11.1 mm × 5.1 mm	SJ-5303	3M

Board Layout

This section contains three views of the TPS22901/02/02B EVM evaluation board as well as some layout considerations.

3.1 TPS22901/02/02B EVM Board

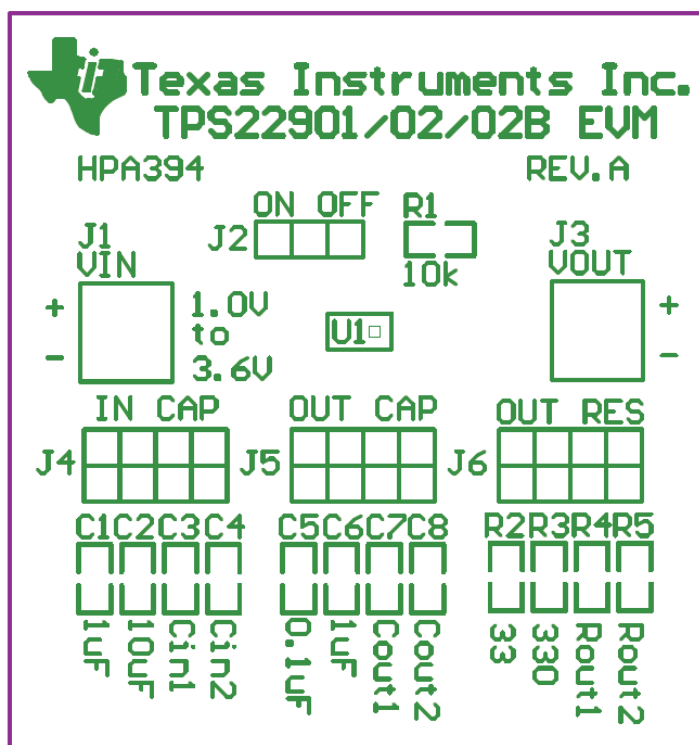


Figure 3-1. TPS22901/02/02B EVM Component Placement

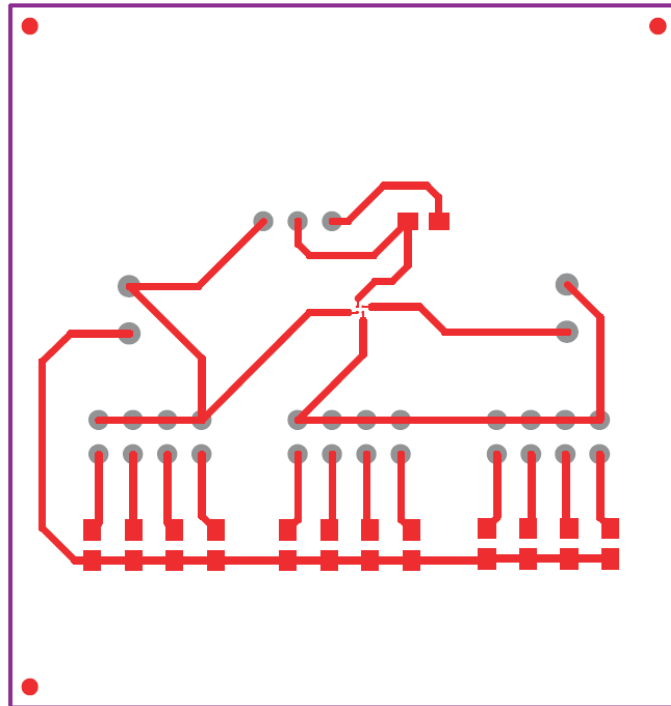


Figure 3-2. TPS22901/02/02B EVM Top-Side Layout

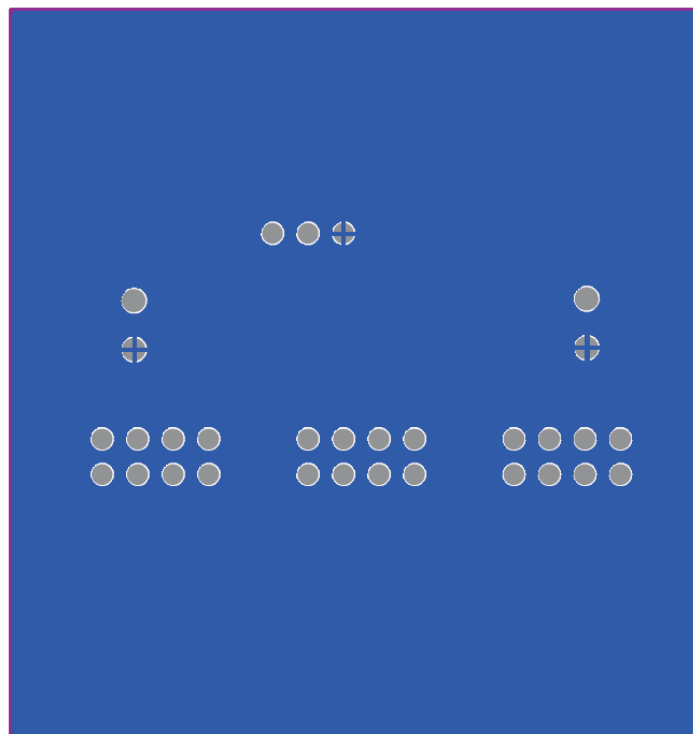


Figure 3-3. TPS22901/02/02B EVM Bottom-Side Layout

3.2 Layout Considerations

The V_{IN} and V_{OUT} pins of U1 can carry significant current; so, traces to these pins should be of suitable length and width to minimize voltage drop to the load. Locate the C_{IN} and C_{OUT} bypass capacitors close to the V_{IN} and V_{OUT} pins of U1.

EVM Setup

4.1 Recommended Test Equipment

The following test equipment is recommended:

- Two-channel storage oscilloscope
- Current probe
- Voltage probe
- 3.6 V at 500-mA power supply
- Volt-ohm meter

4.2 Calculating Voltage Drop and Load Current

The user should read the applicable data sheet before using the EVM.

Figure 4-1 shows the EVM test setup for measuring input and output voltage. The load switch is enabled into a passive on-board load for this measurement. After measuring the voltages at both V_{IN} and V_{OUT} , the voltage drop across the switch as well as the load current can be calculated from the following equations:

$$V_{DROP} = V_{IN} - V_{OUT}$$

$$I_{LOAD} = V_{OUT} / R_{LOAD}$$

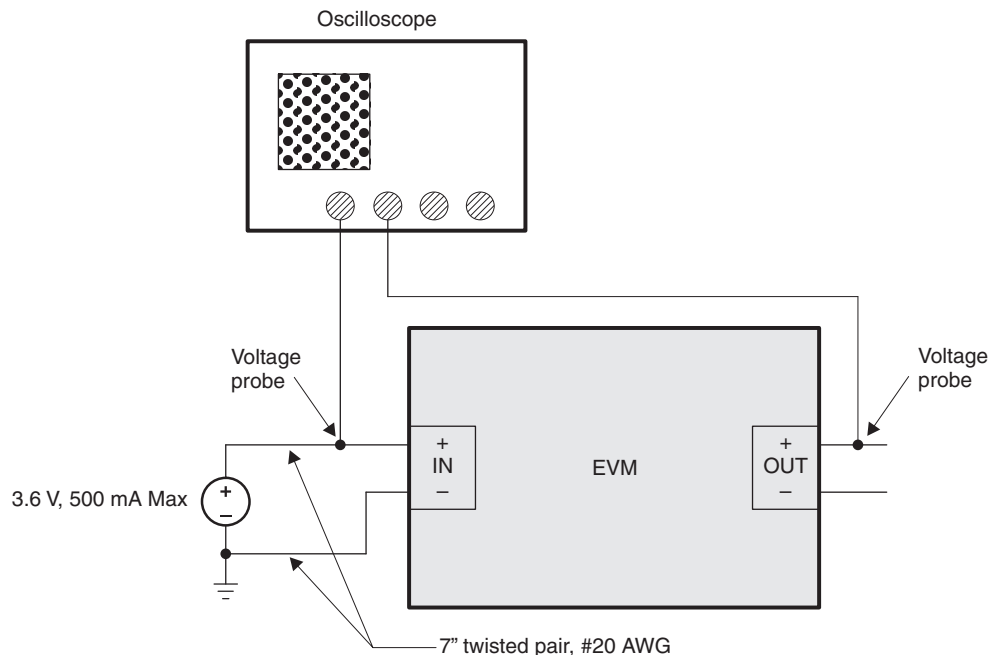


Figure 4-1. EVM Setup For Calculating Voltage Drop and Load Current

Related Documentation from Texas Instruments

- *TPS22901, TPS22902, TPS22902B, Ultra-Small, Low-Input Voltage, Low r_{ON} Load Switches data sheet* ([SLVS803](#))

EVALUATION BOARD/KIT IMPORTANT NOTICE

Texas Instruments (TI) provides the enclosed product(s) under the following conditions:

This evaluation board/kit is intended for use for **ENGINEERING DEVELOPMENT, DEMONSTRATION, OR EVALUATION PURPOSES ONLY** and is not considered by TI to be a finished end-product fit for general consumer use. Persons handling the product(s) must have electronics training and observe good engineering practice standards. As such, the goods being provided are not intended to be complete in terms of required design-, marketing-, and/or manufacturing-related protective considerations, including product safety and environmental measures typically found in end products that incorporate such semiconductor components or circuit boards. This evaluation board/kit does not fall within the scope of the European Union directives regarding electromagnetic compatibility, restricted substances (RoHS), recycling (WEEE), FCC, CE or UL, and therefore may not meet the technical requirements of these directives or other related directives.

Should this evaluation board/kit not meet the specifications indicated in the User's Guide, the board/kit may be returned within 30 days from the date of delivery for a full refund. **THE FOREGOING WARRANTY IS THE EXCLUSIVE WARRANTY MADE BY SELLER TO BUYER AND IS IN LIEU OF ALL OTHER WARRANTIES, EXPRESSED, IMPLIED, OR STATUTORY, INCLUDING ANY WARRANTY OF MERCHANTABILITY OR FITNESS FOR ANY PARTICULAR PURPOSE.**

The user assumes all responsibility and liability for proper and safe handling of the goods. Further, the user indemnifies TI from all claims arising from the handling or use of the goods. Due to the open construction of the product, it is the user's responsibility to take any and all appropriate precautions with regard to electrostatic discharge.

EXCEPT TO THE EXTENT OF THE INDEMNITY SET FORTH ABOVE, NEITHER PARTY SHALL BE LIABLE TO THE OTHER FOR ANY INDIRECT, SPECIAL, INCIDENTAL, OR CONSEQUENTIAL DAMAGES.

TI currently deals with a variety of customers for products, and therefore our arrangement with the user **is not exclusive.**

TI assumes **no liability for applications assistance, customer product design, software performance, or infringement of patents or services described herein.**

Please read the User's Guide and, specifically, the Warnings and Restrictions notice in the User's Guide prior to handling the product. This notice contains important safety information about temperatures and voltages. For additional information on TI's environmental and/or safety programs, please contact the TI application engineer or visit www.ti.com/esh.

No license is granted under any patent right or other intellectual property right of TI covering or relating to any machine, process, or combination in which such TI products or services might be or are used.

FCC Warning

This evaluation board/kit is intended for use for **ENGINEERING DEVELOPMENT, DEMONSTRATION, OR EVALUATION PURPOSES ONLY** and is not considered by TI to be a finished end-product fit for general consumer use. It generates, uses, and can radiate radio frequency energy and has not been tested for compliance with the limits of computing devices pursuant to part 15 of FCC rules, which are designed to provide reasonable protection against radio frequency interference. Operation of this equipment in other environments may cause interference with radio communications, in which case the user at his own expense will be required to take whatever measures may be required to correct this interference.

EVM WARNINGS AND RESTRICTIONS

It is important to operate this EVM within the input voltage range of 1.0 V to 3.6 V and the output voltage range of 1.0 V to 3.6 V.

Exceeding the specified input range may cause unexpected operation and/or irreversible damage to the EVM. If there are questions concerning the input range, please contact a TI field representative prior to connecting the input power.

Applying loads outside of the specified output range may result in unintended operation and/or possible permanent damage to the EVM. Please consult the EVM User's Guide prior to connecting any load to the EVM output. If there is uncertainty as to the load specification, please contact a TI field representative.

During normal operation, some circuit components may have case temperatures greater than 85°C. The EVM is designed to operate properly with certain components above 85°C as long as the input and output ranges are maintained. These components include but are not limited to linear regulators, switching transistors, pass transistors, and current sense resistors. These types of devices can be identified using the EVM schematic located in the EVM User's Guide. When placing measurement probes near these devices during operation, please be aware that these devices may be very warm to the touch.

Mailing Address: Texas Instruments, Post Office Box 655303, Dallas, Texas 75265
Copyright © 2009, Texas Instruments Incorporated

IMPORTANT NOTICE

Texas Instruments Incorporated and its subsidiaries (TI) reserve the right to make corrections, modifications, enhancements, improvements, and other changes to its products and services at any time and to discontinue any product or service without notice. Customers should obtain the latest relevant information before placing orders and should verify that such information is current and complete. All products are sold subject to TI's terms and conditions of sale supplied at the time of order acknowledgment.

TI warrants performance of its hardware products to the specifications applicable at the time of sale in accordance with TI's standard warranty. Testing and other quality control techniques are used to the extent TI deems necessary to support this warranty. Except where mandated by government requirements, testing of all parameters of each product is not necessarily performed.

TI assumes no liability for applications assistance or customer product design. Customers are responsible for their products and applications using TI components. To minimize the risks associated with customer products and applications, customers should provide adequate design and operating safeguards.

TI does not warrant or represent that any license, either express or implied, is granted under any TI patent right, copyright, mask work right, or other TI intellectual property right relating to any combination, machine, or process in which TI products or services are used. Information published by TI regarding third-party products or services does not constitute a license from TI to use such products or services or a warranty or endorsement thereof. Use of such information may require a license from a third party under the patents or other intellectual property of the third party, or a license from TI under the patents or other intellectual property of TI.

Reproduction of TI information in TI data books or data sheets is permissible only if reproduction is without alteration and is accompanied by all associated warranties, conditions, limitations, and notices. Reproduction of this information with alteration is an unfair and deceptive business practice. TI is not responsible or liable for such altered documentation. Information of third parties may be subject to additional restrictions.

Resale of TI products or services with statements different from or beyond the parameters stated by TI for that product or service voids all express and any implied warranties for the associated TI product or service and is an unfair and deceptive business practice. TI is not responsible or liable for any such statements.

TI products are not authorized for use in safety-critical applications (such as life support) where a failure of the TI product would reasonably be expected to cause severe personal injury or death, unless officers of the parties have executed an agreement specifically governing such use. Buyers represent that they have all necessary expertise in the safety and regulatory ramifications of their applications, and acknowledge and agree that they are solely responsible for all legal, regulatory and safety-related requirements concerning their products and any use of TI products in such safety-critical applications, notwithstanding any applications-related information or support that may be provided by TI. Further, Buyers must fully indemnify TI and its representatives against any damages arising out of the use of TI products in such safety-critical applications.

TI products are neither designed nor intended for use in military/aerospace applications or environments unless the TI products are specifically designated by TI as military-grade or "enhanced plastic." Only products designated by TI as military-grade meet military specifications. Buyers acknowledge and agree that any such use of TI products which TI has not designated as military-grade is solely at the Buyer's risk, and that they are solely responsible for compliance with all legal and regulatory requirements in connection with such use.

TI products are neither designed nor intended for use in automotive applications or environments unless the specific TI products are designated by TI as compliant with ISO/TS 16949 requirements. Buyers acknowledge and agree that, if they use any non-designated products in automotive applications, TI will not be responsible for any failure to meet such requirements.

Following are URLs where you can obtain information on other Texas Instruments products and application solutions:

Products

Amplifiers	amplifier.ti.com
Data Converters	dataconverter.ti.com
DLP® Products	www.dlp.com
DSP	dsp.ti.com
Clocks and Timers	www.ti.com/clocks
Interface	interface.ti.com
Logic	logic.ti.com
Power Mgmt	power.ti.com
Microcontrollers	microcontroller.ti.com
RFID	www.ti-rfid.com
RF/IF and ZigBee® Solutions	www.ti.com/lprf

Applications

Audio	www.ti.com/audio
Automotive	www.ti.com/automotive
Broadband	www.ti.com/broadband
Digital Control	www.ti.com/digitalcontrol
Medical	www.ti.com/medical
Military	www.ti.com/military
Optical Networking	www.ti.com/opticalnetwork
Security	www.ti.com/security
Telephony	www.ti.com/telephony
Video & Imaging	www.ti.com/video
Wireless	www.ti.com/wireless

Mailing Address: Texas Instruments, Post Office Box 655303, Dallas, Texas 75265
Copyright © 2009, Texas Instruments Incorporated