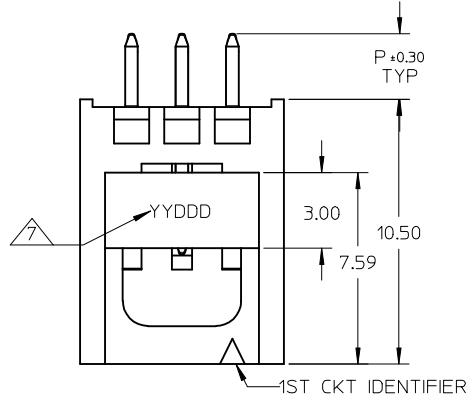
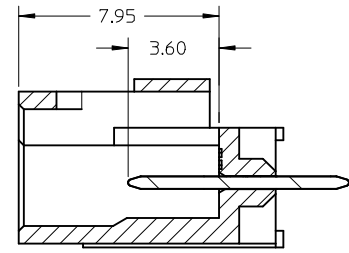
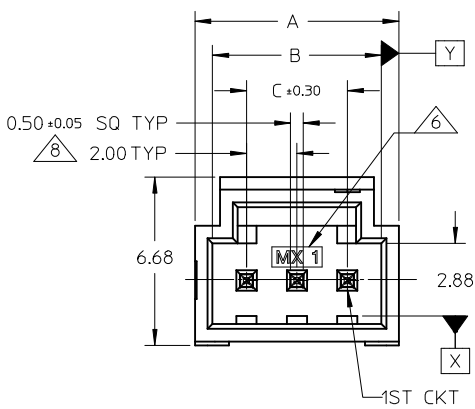
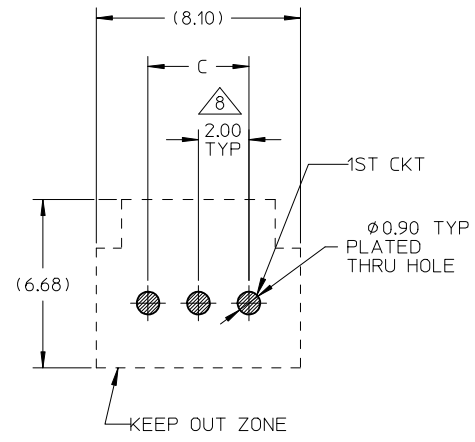


10 9 8 7 6 5 4 3 2 1

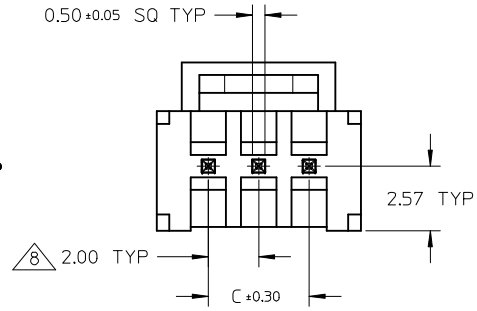
CKT SIZE	DIMENSION				
	A	B	C	D	E
2	6.10	4.70	2.00	7.60	6.40
3	8.10	6.70	4.00	9.60	8.40
4	10.10	8.70	6.00	11.60	10.40
5	12.10	10.70	8.00	13.60	12.40
6	14.10	12.70	10.00	15.60	14.40
7	16.10	14.70	12.00	17.60	16.40
8	18.10	16.70	14.00	19.60	18.40
9	20.10	18.70	16.00	21.60	20.40
10	22.10	20.70	18.00	23.60	22.40



RECOMMENDED PCB LAYOUT
GENERAL TOLERANCE: ± 0.05



SECTION Z-Z

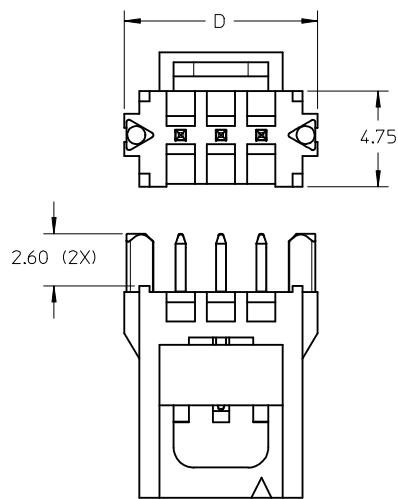


- NOTES:
- MATERIAL:
HOUSING: LIQUID CRYSTALLINE POLYMERS (LCP), GLASS FILLED, UL94V-0, BLACK.
PIN: COPPER ALLOY, 0.50MM SQ
PICK & PLACE CAP: POLYAMIDE (PA), GLASS FILLED, UL94V-0, BLACK.
 - PLATING: SEE TABLE.
 - PRODUCT SPECIFICATION: PS-151062-0001.
 - PACKAGING SPECIFICATION: PK-151062-0001.
 - TO BE MATED WITH MOLEX RECEPTACLES SERIES: 151100.
 - MANUFACTURING ID & CAVITY ID SHALL BE LOCATED APPROXIMATELY AS SHOWN.
 - DATE CODE: YYDDD IS LOCATED APPROXIMATELY AS SHOWN.
 - PITCH TOLERANCE SHALL BE NON ACCUMULATED.

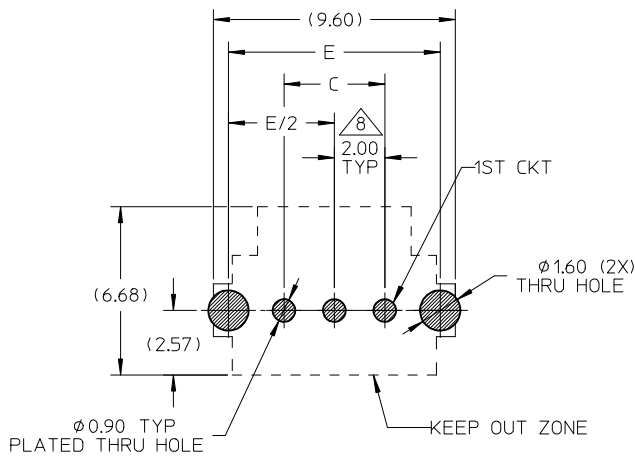
RELEASE TO REV A EC NO: S2016-0665 DRWN:FCS00 2016/01/27 CHKD:CGOH 2016/02/16 APPR:KHLIM 2016/02/16	QUALITY SYMBOLS $F_A=0$ $F_G=0$ $F_P=0$	GENERAL TOLERANCES (UNLESS SPECIFIED)		DIMENSION STYLE MM ONLY		SCALE NTS	DESIGN UNITS METRIC	THIRD ANGLE PROJECTION		
		mm	INCH	DRAWN BY	DATE	TITLE				
		4 PLACES \pm ---	\pm ---	FCS00	2014/12/16	SALES DRAWING PCB HEADER, VERTICAL TH SINGLE ROW MILLIGRID molex				
		3 PLACES \pm ---	\pm ---	CHECKED BY	DATE					
2 PLACES ± 0.20	\pm ---	FCS00	2014/12/16	DOCUMENT NO. SD-151063-0001						
1 PLACE \pm ---	\pm ---	APPROVED BY	DATE							
0 PLACE \pm ---	\pm ---	KHLIM	2015/07/02	SHEET NO. 1 OF 3						
ANGULAR $\pm 3^\circ$		MATERIAL NO.							THIS DRAWING CONTAINS INFORMATION THAT IS PROPRIETARY TO MOLEX INCORPORATED AND SHOULD NOT BE USED WITHOUT WRITTEN PERMISSION	
DRAFT WHERE APPLICABLE MUST REMAIN WITHIN DIMENSIONS		SEE TABLE		SIZE A3						

9 8 7 6 5 4 3 2 1

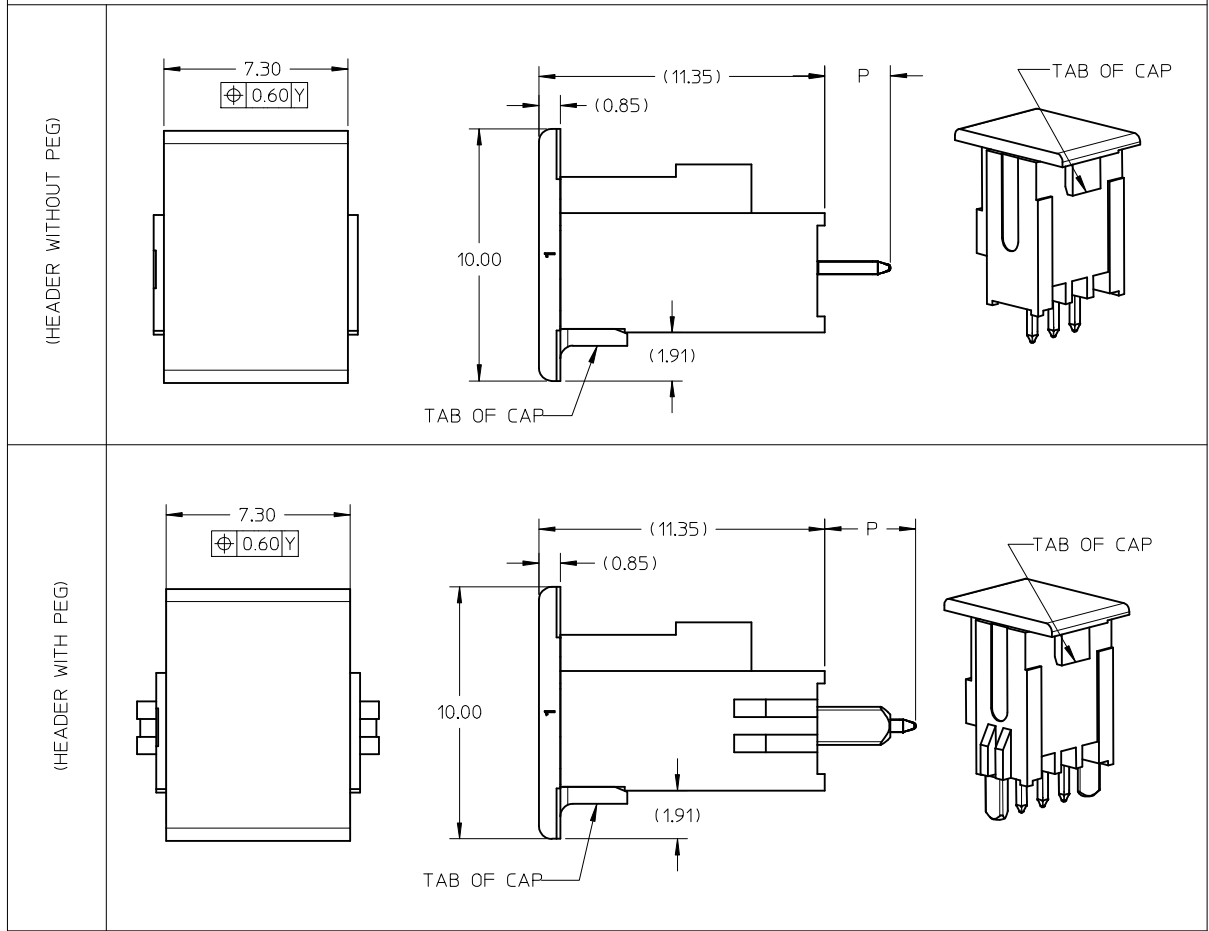
WITH PEG



RECOMMENDED PCB LAYOUT
GENERAL TOLERANCE: ±0.05



OPTIONAL PICK & PLACE CAP



RELEASE TO REV A EC NO: S2016-0665 DRW: FCS00 CHKD: CGOH APPR: KHL IM 2016/01/27 2016/02/16 2016/02/16	QUALITY SYMBOLS $\nabla_A = 0$ $\nabla_C = 0$ $\nabla_P = 0$	GENERAL TOLERANCES (UNLESS SPECIFIED) mm INCH 4 PLACES ± --- ± --- 3 PLACES ± --- ± --- 2 PLACES ± 0.20 ± --- 1 PLACE ± --- ± --- 0 PLACE ± --- ± ---	DIMENSION STYLE MM ONLY DRAWN BY: FCS00 DATE: 2014/12/16 CHECKED BY: FCS00 DATE: 2014/12/16 APPROVED BY: KHL IM DATE: 2015/07/02	SCALE NTS	DESIGN UNITS METRIC	THIRD ANGLE PROJECTION
	DRAFT WHERE APPLICABLE MUST REMAIN WITHIN DIMENSIONS	MATERIAL NO.	TITLE SALES DRAWING PCB HEADER, VERTICAL TH SINGLE ROW MILLIGRID	DOCUMENT NO. SD-151063-0001	SHEET NO. 2 OF 3	
	SEE TABLE	THIS DRAWING CONTAINS INFORMATION THAT IS PROPRIETARY TO MOLEX INCORPORATED AND SHOULD NOT BE USED WITHOUT WRITTEN PERMISSION	molex	INCORPORATED AND SHOULD NOT BE USED WITHOUT WRITTEN PERMISSION		
	SIZE A3	THIS DRAWING CONTAINS INFORMATION THAT IS PROPRIETARY TO MOLEX INCORPORATED AND SHOULD NOT BE USED WITHOUT WRITTEN PERMISSION	INCORPORATED AND SHOULD NOT BE USED WITHOUT WRITTEN PERMISSION			

ASSEMBLY

151063 - X X X X

02 - 10	2-10 CKT W/O PEG
52 - 60	2-10 CKT WITH PEG
	52 = 2CKT
	53 = 3CKT
	.
	59 = 9CKT
	60 = 10CKT

PLATING		CAP VERSION
0	FULL TIN	WITHOUT CAP
1	Au FLASH	
2	0.38 Au	
3	0.75 Au	
4	FULL TIN	WITH CAP
5	Au FLASH	
6	0.38 Au	
7	0.75 Au	
8	OTHER OPTIONS	
9		

	P TAIL LENGTH	PACKAGING
0	2.60	TAPE & REEL
1	3.60	
2	4.60	
3	2.60	
4	3.60	TUBE
5	4.60	
6		OTHER OPTIONS
7		
8		
9		

PLATING OPTIONS	
-*0** & -*4**	2.50µm MIN. TIN ON CONTACT AND 2.00µm MIN. TIN (MATTE) ON SOLDERTAIL OVER 1.25µm MIN. NICKEL OVERALL.
-*1** & -*5**	0.05µm MIN. GOLD PLATE ON CONTACT AND 2.00µm MIN. TIN (MATTE) ON SOLDERTAIL OVER 1.25µm MIN. NICKEL OVERALL.
-*2** & -*6**	0.38µm MIN. GOLD PLATE ON CONTACT AND 2.00µm MIN. TIN (MATTE) ON SOLDERTAIL OVER 1.25µm MIN. NICKEL OVERALL.
-*3** & -*7**	0.75µm MIN. GOLD PLATE ON CONTACT AND 2.00µm MIN. TIN (MATTE) ON SOLDERTAIL OVER 1.25µm MIN. NICKEL OVERALL.

PACKAGING OPTION AND CAP	
TAPE & REEL	151000-4***
PACKAGING TUBE	151000-3015 (WITHOUT CAP) 151000-3018 (WITH CAP)
CAP	151088-0001
P TAIL LENGTH	RECOMMENDED PCB THICKNESS
2.60	1.50
3.60	2.50
4.60	3.50

RELEASE TO REV A EC NO: S2016-0665 DRWN:FCS00 2016/01/27 CHKD:CGOH 2016/02/16 APPR:KHLIM 2016/02/16	REV DESCRIPTION A	QUALITY SYMBOLS $F_A=0$ $F_G=0$ $F_P=0$	GENERAL TOLERANCES (UNLESS SPECIFIED)		DIMENSION STYLE MM ONLY		SCALE NTS	DESIGN UNITS METRIC	THIRD ANGLE PROJECTION			
					mm	INCH	DRAWN BY	DATE	TITLE			
			4 PLACES	± ---	± ---	FCS00	2014/12/16	SALES DRAWING				
			3 PLACES	± ---	± ---	CHECKED BY	DATE	PCB HEADER, VERTICAL TH				
2 PLACES	± 0.20	± ---	FCS00	2014/12/16	SINGLE ROW MILLIGRID							
1 PLACE	± ---	± ---	APPROVED BY	DATE	molex							
0 PLACE	± ---	± ---	KHLIM	2015/07/02								
ANGULAR ± 3 °			DRAFT WHERE APPLICABLE MUST REMAIN WITHIN DIMENSIONS		MATERIAL NO. SEE TABLE		DOCUMENT NO. SD-151063-0001		SHEET NO. 3 OF 3			
THIS DRAWING CONTAINS INFORMATION THAT IS PROPRIETARY TO MOLEX INCORPORATED AND SHOULD NOT BE USED WITHOUT WRITTEN PERMISSION												