



Series 0600 Strip-Line™ Header w/Coined Contacts

FEATURES

- Available with Fork- or Post-style Coined Contacts
- Header to be Cut to Desired Number of Positions Required
- Side-to-side and End-to-end Stackable

GENERAL SPECIFICATIONS

- **BODY MATERIAL:** Black UL 94V-0 Glass-filled 4/6 Nylon
- **COINED CONTACTS:** Brass, 1/2-hard
- **CONTACT PLATING:** 200µ min. matte Sn plating per ASTM B545-97(2004)e1 over 50µ [1.27µ] min. Ni per QQ-N-290 –OR– 10µ [0.25µ] min. Au per MIL-G-45204 over 50µ [1.27µ] min. Ni per QQ-N-290 –OR– 200µ [5.08µ] min. Sn/Pb 90/10 per MIL-T-10727 over 50µ [1.27µ] min. Ni per QQ-N-290
- **CONTACT CURRENT RATING:** 2 amps
- **OPERATING TEMPERATURE:** -67°F to 221°F [-55°C to 105°C] for Sn and Sn/Pb plating; -67°F to 257°F [-55°C to 125°C] for Au plating
- **ACCEPTS LEADS:** up to 0.025 [0.64] dia. leads

MOUNTING CONSIDERATIONS

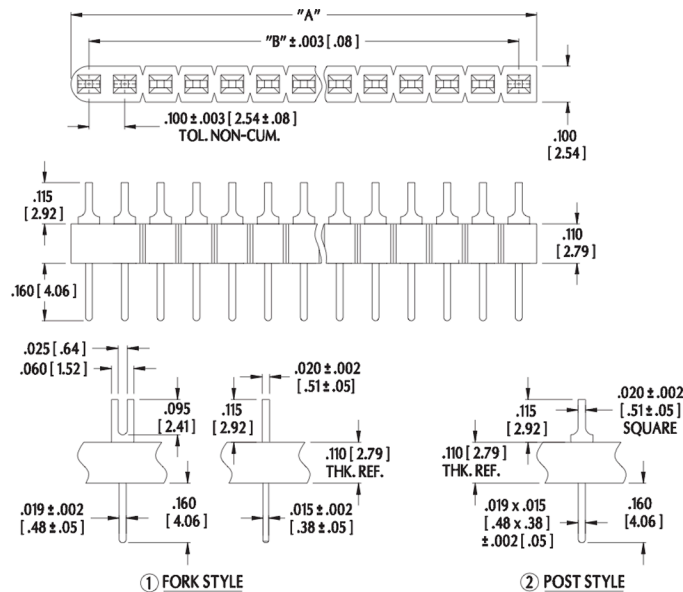
- **SUGGESTED PCB HOLE SIZE:** 0.035 ± 0.002 [0.89 ± 0.05] dia.



ORDERING INFORMATION

XX-0600-X X

- Plating
 - 0 = Sn
 - OTL = Sn/Pb
 - 1 = Au
- Pin Style
 - 1 = Fork
 - 2 = Post
- Series
- No. of Pins
 - 1 to 25



"A" = NO. OF PINS PER ROW x 0.100 [2.54]

"B" = (NO. OF PINS PER ROW - 1) x 0.100 [2.54]

ALL DIMENSIONS: INCHES [MILLIMETERS]
 ALL TOLERANCES: ±0.005 [0.13] UNLESS OTHERWISE SPECIFIED
 FOR SCREW MACHINE CONTACTS, SEE [DATA SHEET 12036](#)
 CONSULT FACTORY FOR OTHER SIZES AND CONFIGURATIONS

CUSTOMIZATION: ARIES SPECIALIZES IN CUSTOM DESIGN AND PRODUCTION. SPECIAL MATERIALS, PLATINGS, SIZES, AND CONFIGURATIONS CAN BE FURNISHED, DEPENDING ON QUANTITY.

ARIES RESERVES THE RIGHT TO CHANGE PRODUCT GENERAL SPECIFICATIONS WITHOUT NOTICE

PRINTOUTS OF THIS DOCUMENT MAY BE OUT-OF-DATE AND SHOULD BE CONSIDERED UNCONTROLLED



ARIES
ELECTRONICS, INC.

2609 Bartram Road • Bristol, PA 19007-6810 USA
 TEL 215-781-9956 • FAX 215-781-9845
WWW.ARIESELEC.COM • INFO@ARIESELEC.COM



12034
Rev. 4.2
1 of 1