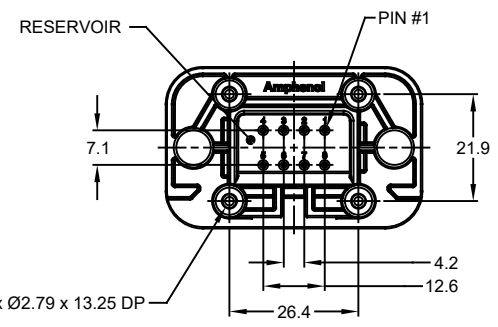
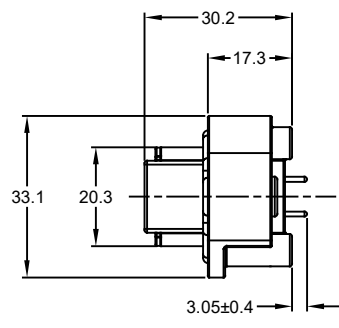
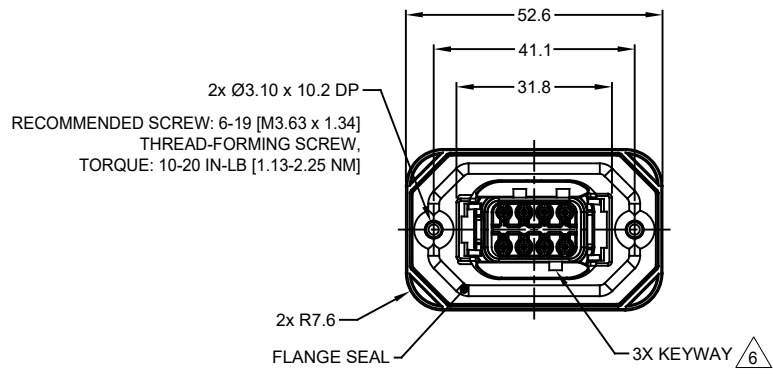
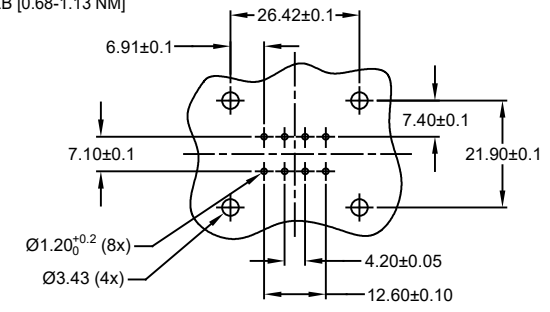
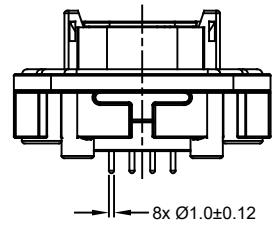
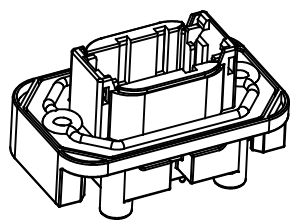


REVISIONS					
REV	ECO	DESCRIPTION	DATE	BY	APPR
A1	-	RELEASE NEW DRAWING	15JUN18	SULLEN	TOMMY
A2	-	REVISED DRAWING	10JUL20	JHEAD	DH



RECOMMENDED SCREW: 4-20 [M3.12 x 1.27]
 THREAD-FORMING SCREW,
 TORQUE: 6-10 IN-LB [0.68-1.13 NM]



RECOMMENDED PCB LAYOUT
 VIEW FROM COMPONENTS
 SIDE OF PCB

NOTES: UNLESS OTHERWISE SPECIFIED

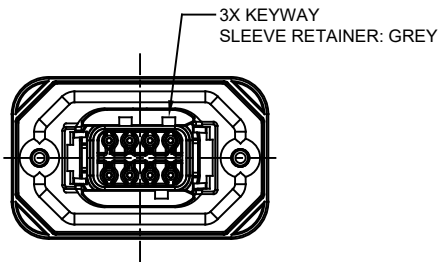
- MATERIAL:
 HOUSING: THERMOPLASTIC, GREY
 SEAL: SILICONE RUBBER
 CONTACT: COPPER ALLOY
- CONTACT PLATING: SEE SHEET 2
- MODIFICATIONS: FLANGE; STRAIGHT PCB MOUNT
- SPECIFICATIONS:
 4.1 CURRENT RATING: 7.5 AMPS
 4.2 OPERATING TEMPERATURE: -55°C TO +125°C
 4.3 DIELECTRIC WITHSTANDING VOLTAGE: LESS THAN 2 MILLIAMPS CURRENT LEAKAGE @ 1500 VOLTS AC
 4.4 INSULATION RESISTANCE: 1000 MEGOHMS MIN @ 25°C
 4.5 MOISTURE RESISTANCE: IP67 (MATED CONDITION)
 4.6 MATING CYCLE DURABILITY: 100 CYCLES
 4.7 RoHS COMPLIANT

- MATING PART: ATM06-08SX-*
 (X = A,B,C,D KEYS ; * = MODIFICATIONS AND COLORS)
 △ SEE SHEET 2 FOR OTHER KEY ARRANGEMENTS AND COLORS
- ALL DIMENSIONS ARE FOR REFERENCE USE ONLY
- POTTED CONNECTORS SPECIFIED FOR UP TO 5 P.S.I. APPLICATIONS.

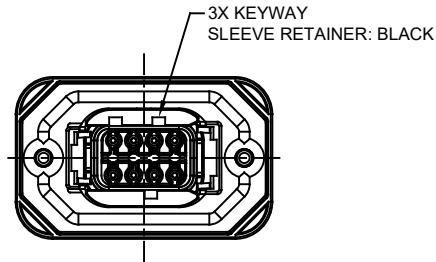
TITLE: PCB MOUNT RECEPTACLE, 8 PIN, STRAIGHT FLANGE, ATM SERIES
 DWG NO: ATM15-08PX-BMXX
 REV: A2
 SH: 1
 OF: 2

ATM15-08PX-BMXX		DESCRIPTION		ITEM
QUANTITY	PART NUMBER			
MATERIALS LIST				
UNLESS OTHERWISE SPECIFIED 1) All dimensions are in metric (mm). 2) Tolerances are as follows: 1 PL DEC ±0.30 2 PL DEC ±0.15 3 PL DEC ±0.08 3) Note reference = △		SIGNATURES DRAWN: SULLEN ZHANG CHECKED: ORION LI ENGINEER: APPROVAL: TOMMY XIE CUSTOMER:		DATE 15JUN18 15JUN18 15JUN18
MATERIAL SPECIFICATIONS:		THIS DRAWING IS SUPPLIED FOR INFORMATION ONLY. DESIGN FEATURES, SPECIFICATIONS AND PERFORMANCE DATA SHOWN HEREON ARE THE PROPERTY OF THE AMPHENOL CORPORATION. NO RIGHTS OF REPRODUCTION ARE IMPLIED. ALL DIMENSIONS ARE SUBJECT TO NORMAL MANUFACTURING VARIATIONS.		<div style="text-align: center;"> <p>Sine Systems - www.amphenol-sine.com 44724 Morley Drive Clinton Township, MI 48036</p> </div>
PROCESS SPECIFICATIONS:		SIZE: B C- TYPE: ATM15-08PX-BMXX SCALE: NONE		REVISION: A2
NEXT ASSY:		SHEET 1 OF 2		

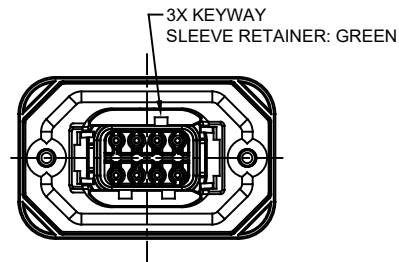
REVISIONS					
REV	ECO	DESCRIPTION	DATE	BY	APPR
A1	-	RELEASE NEW DRAWING	15JUN18	SULLEN	TOMMY
A2	-	REVISED DRAWING	10JUL20	JHEAD	DH



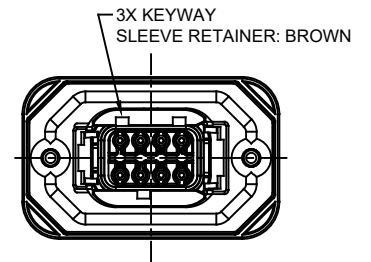
ATM15-08PA-BMXX
KEY A



ATM15-08PB-BMXX
KEY B



ATM15-08PC-BMXX
KEY C



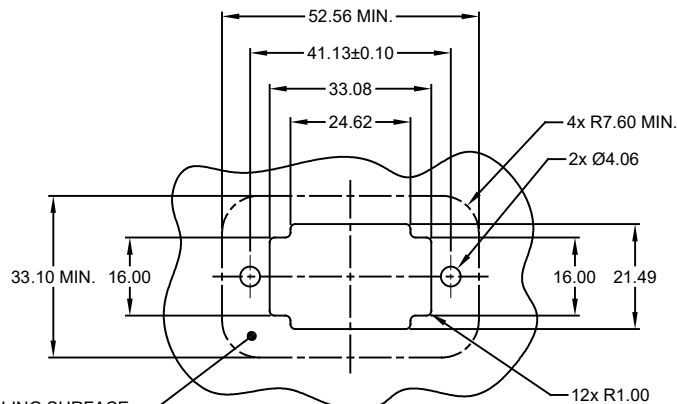
ATM15-08PD-BMXX
KEY D

ATM15-08PA-BMXX VARIANTS		
CONTACT PLATING	POTTING OR NOT IN RESERVOIR	PART NUMBER
GOLD	NO POTTING	ATM15-08PA-BM01
GOLD	POTTING	ATM15-08PA-BM02
TIN	NO POTTING	ATM15-08PA-BM03
TIN	POTTING	ATM15-08PA-BM04

ATM15-08PB-BMXX VARIANTS		
CONTACT PLATING	POTTING OR NOT IN RESERVOIR	PART NUMBER
GOLD	NO POTTING	ATM15-08PB-BM01
GOLD	POTTING	ATM15-08PB-BM02
TIN	NO POTTING	ATM15-08PB-BM03
TIN	POTTING	ATM15-08PB-BM04

ATM15-08PC-BMXX VARIANTS		
CONTACT PLATING	POTTING OR NOT IN RESERVOIR	PART NUMBER
GOLD	NO POTTING	ATM15-08PC-BM01
GOLD	POTTING	ATM15-08PC-BM02
TIN	NO POTTING	ATM15-08PC-BM03
TIN	POTTING	ATM15-08PC-BM04

ATM15-08PD-BMXX VARIANTS		
CONTACT PLATING	POTTING OR NOT IN RESERVOIR	PART NUMBER
GOLD	NO POTTING	ATM15-08PD-BM01
GOLD	POTTING	ATM15-08PD-BM02
TIN	NO POTTING	ATM15-08PD-BM03
TIN	POTTING	ATM15-08PD-BM04



INTERNAL SEALING SURFACE
FINISH TO BE 3.2/ OR BETTER $\sqrt{10.13}$

RECOMMENDED PANEL
CUTOUT

ATM15-08PX-BMXX		DESCRIPTION		ITEM
PART NUMBER		DESCRIPTION		ITEM
QUANTITY		MATERIALS LIST		
UNLESS OTHERWISE SPECIFIED: 1) All dimensions are in metric(mm). 2) Tolerances are as follows: 1 PL DEC ±0.30 Fractions ±1/64 2 PL DEC ±0.15 Angles ±1° 3 PL DEC ±0.08		SIGNATURES		DATE
MATERIAL SPECIFICATIONS:		DRAWN: SULLEN, ZHANG		15JUN18
PROCESS SPECIFICATIONS:		CHECKED: ORION LI		15JUN18
NEXT ASSY:		APPROVAL: TOMMY, XIE		15JUN18
		CUSTOMER:		
		THIS DRAWING IS SUPPLIED FOR INFORMATION ONLY. DESIGN FEATURES, SPECIFICATIONS AND PERFORMANCE DATA SHOWN HEREON ARE THE PROPERTY OF THE AMPHENOL CORPORATION. NO RIGHTS OF REPRODUCTION ARE IMPLIED. ALL DIMENSIONS ARE SUBJECT TO NORMAL MANUFACTURING VARIATIONS.		
		 Sine Systems - www.amphenol-sine.com 44724 Morley Drive Clinton Township, MI 48036		
		BOARDLOCK PCB MOUNT RECEPTACLE, 8 PIN, STRAIGHT FLANGE, ATM SERIES		
SIZE	TYPE	DWG NO.	REVISION	
B	C-	ATM15-08PX-BMXX	A2	
SCALE:	NONE	SHEET 2 OF 2		

TITLE: PCB MOUNT RECEPTACLE, 8 PIN, STRAIGHT FLANGE, ATM SERIES
DWG NO: ATM15-08PX-BMXX
REV: A2
SH: 2
OF: 2