

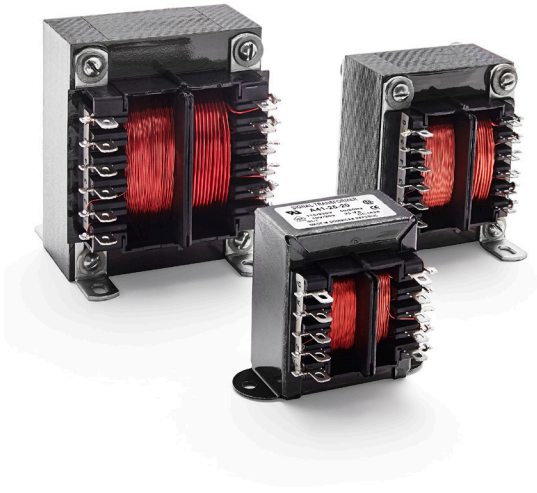
Chassis Mount

A41 Series

All-4-One™ International Transformers
Triple Output

For 5 VDC and ± 12 VDC or ± 15 VDC Regulated Power Supplies Requiring International Safety Certification

Triple output transformers with chassis mount capability plus all of the performance features of our split bobbin A41 series.



General Specifications

- Power - 25 VA to 80 VA
- Dielectric Strength - 4000 Vrms Hipot
- Primaries - Dual primaries (115/230 V - 50/60 Hz)
- Secondaries - Dual complementary outputs (5 VDC with ± 12 VDC or 5 VDC with ± 15 VDC)
- Terminals - Solder lug / quick connect type terminals
- Leakage - Current meets UL 60601-1, IEC/EN 60601-1
- Insulation - Class F (155° C)
- Flammability Rating - Bobbin and shroud material meet UL 94-V0

Agency Certifications

- UL 1446 UL File # E66312
- UL recognized to UL 506 / UL 5085-2, File # E63829
- CSA certified to C22.2 No. 66.1, File # 221070
- VDE certified to VDE 0805 / EN 60950 (File # 1448)

A41 Triple Output Series Datasheet

Part Number Selection

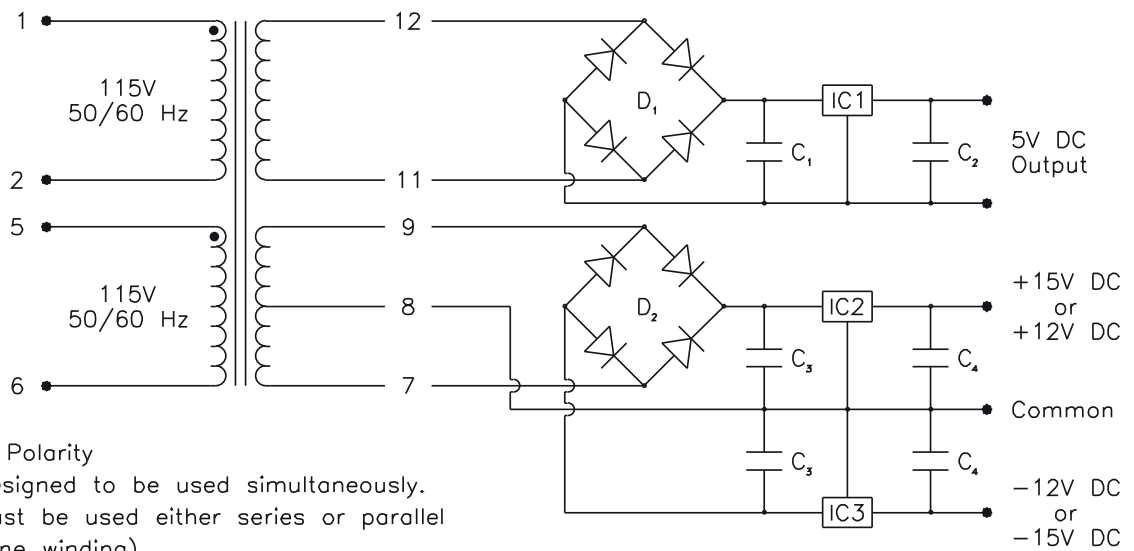
Part Number	VA	DC Output		Suggested Components (C_2 and C_4 See Note 1)						
	Size	Regulator I	Regulator II	C_1	C_3	IC1 ¹	IC2 ²	IC3 ³	D1 ⁴	D2 ⁴
A41-25-512	25	5 V @ 1.25 A	±12 V @ 150 mA	4.1 KMFD @ 15 VDC	600 MFD @ 50 VDC	LM-323K-5	LM-340K-12	LM-320K-12	PE20	PF20
A41-25-515	25	5 V @ 1.25 A	±15 V @ 130 mA			LM-323K-5	LM-340K-15	LM-320K-15	PE20	PF20
A41-43-512	43	5 V @ 2 A	±12 V @ 300 mA	8 KMFD @ 15 VDC	1.1 KMFD @ 50 VDC	LM-323K-5	LM-340K-12	LM-320K-12	PE20	PF20
A41-43-515	43	5 V @ 2 A	±15 V @ 250 mA			LM-323K-5	LM-340K-15	LM-320K-15	PE20	PF20
A41-80-512	80	5 V @ 3.5 A	±12 V @ 600 mA	10 KMFD @ 15 VDC	2.1 KMFD @ 50 VDC	LM-338 ²	LM-340K-12	LM-320K-12	PP20	PF20
A41-80-515	80	5 V @ 3.5 A	±15 V @ 500 mA			LM-338 ²	LM-340K-15	LM-320K-15	PP20	PF20

Note 1: Output capacitors C_2 and C_4 are required to stabilize regulators. Values can be 1 MFD min. tantalum or 10 MFD min. electrolytic, 20 V min.

Note 2: LM-338 is an adjustable regulator and MFR's specifications (National Semiconductor) should be consulted for values of external components.

Note 3: All IC's are National Semiconductor types.

Note 4: All bridges are EDI types.



Note:

VDE certified A41 Series transformers with standard length and color lead wires are readily available. Contact Customer Service for more information.



Custom versions available upon request.



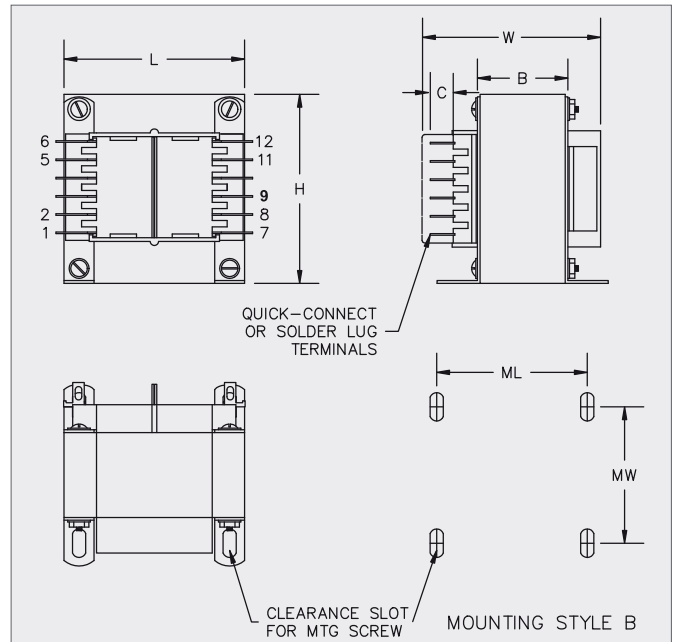
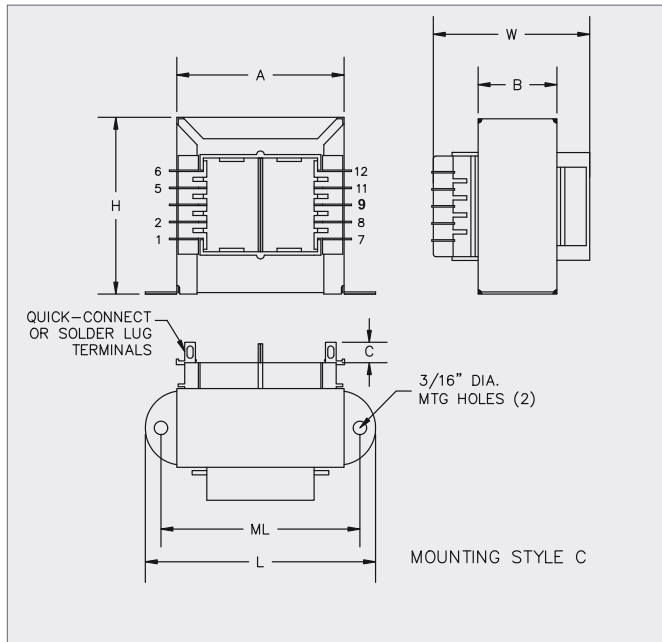
128 Atlantic Avenue, Lynbrook, NY 11563
 Toll Free 866-239-5777 | Tel 516-239-5777 | Fax 516-239-7208
 sales@signaltransformer.com | techhelp@signaltransformer.com

belfuse.com/signal

A41 Triple Output Series Datasheet

Mechanical Specifications

VA	Mechanical Dimensions						Terminals	Mounting Style	Mounting Dimensions		Mounting Screw	Weight
	L	W	H	A	B	C			ML	MW		
Size	Inches (mm)						Inches (mm)					lbs (kg)
25	2.81 (71.4)	2.14 (54.4)	2.31 (58.7)	2.00 (50.8)	1.12 (28.6)	0.31 (7.9)	0.18 (4.75)	C	2.37 (60.3)	—	#6	1.25 (0.57)
43	3.12 (79.4)	2.14 (54.4)	2.68 (68.2)	2.25 (57.2)	1.12 (28.6)	0.31 (7.9)	0.18 (4.75)	C	2.81 (71.4)	—	#6	1.6 (0.73)
80	2.50 (63.5)	2.53 (64.3)	3.06 (77.7)	—	1.37 (35.0)	0.31 (7.9)	0.18 (4.75)	B	2.00 (50.8)	2.18 (55.5)	#6	2.8 (1.27)



Custom versions available upon request.



128 Atlantic Avenue, Lynbrook, NY 11563
 Toll Free 866-239-5777 | Tel 516-239-5777 | Fax 516-239-7208
 sales@signaltransformer.com | techhelp@signaltransformer.com

belfuse.com/signal