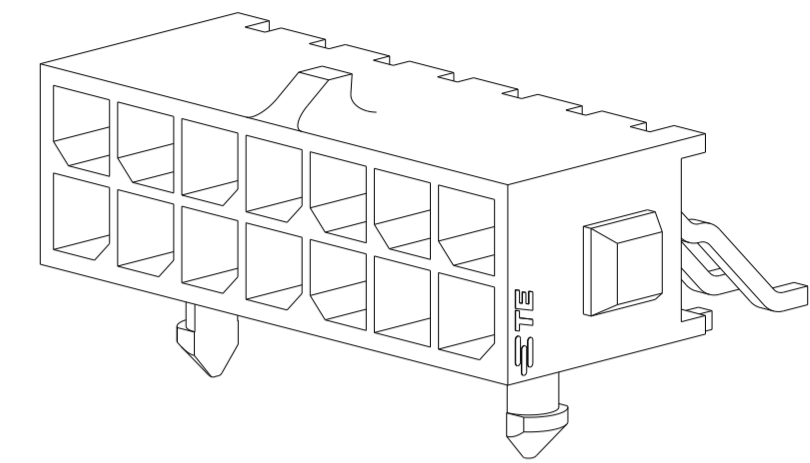
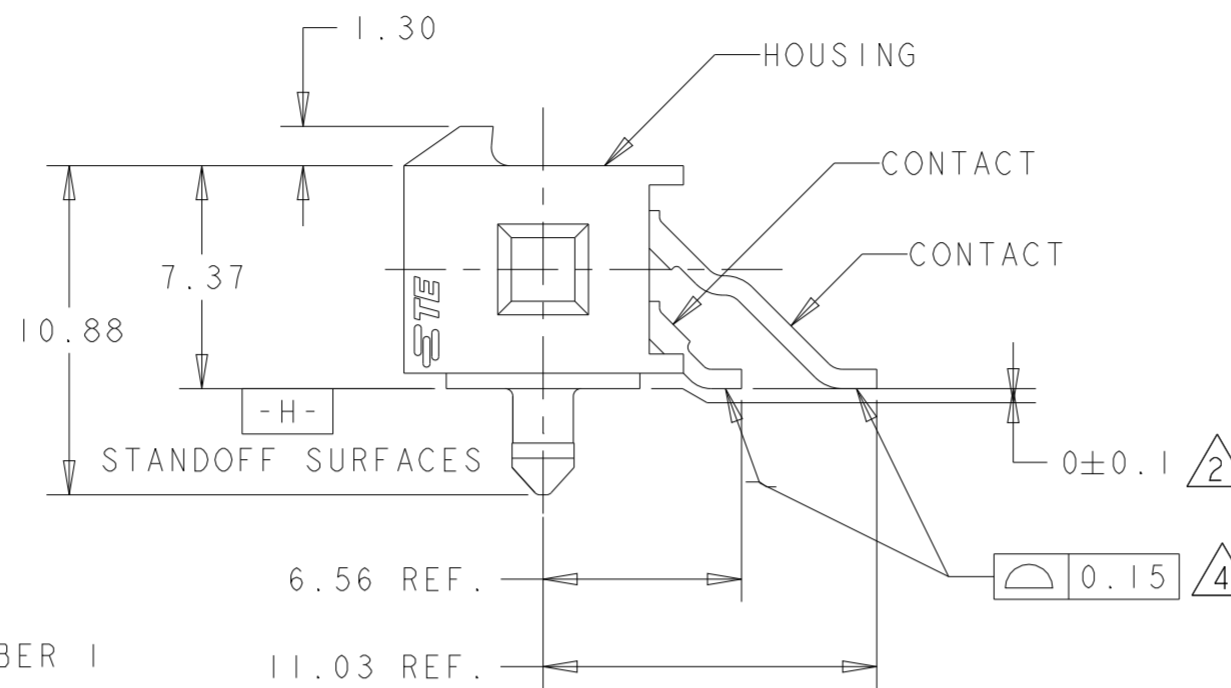
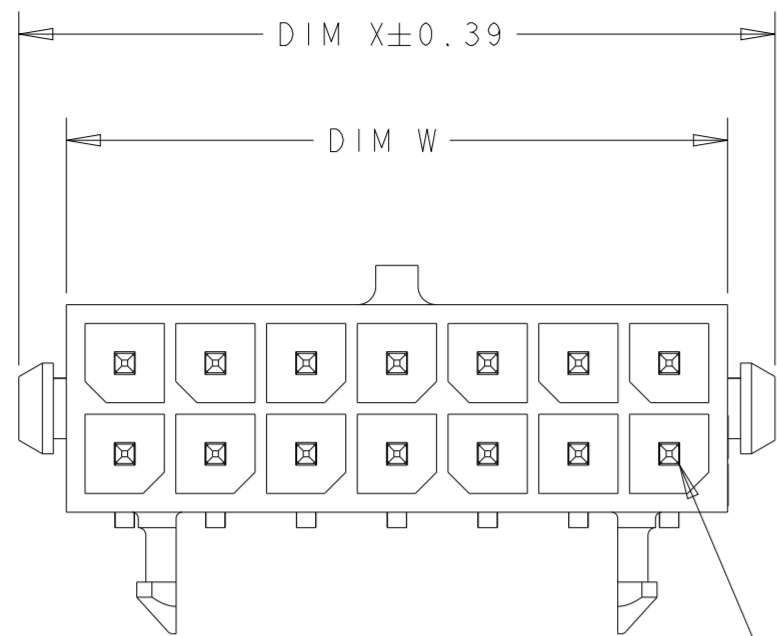
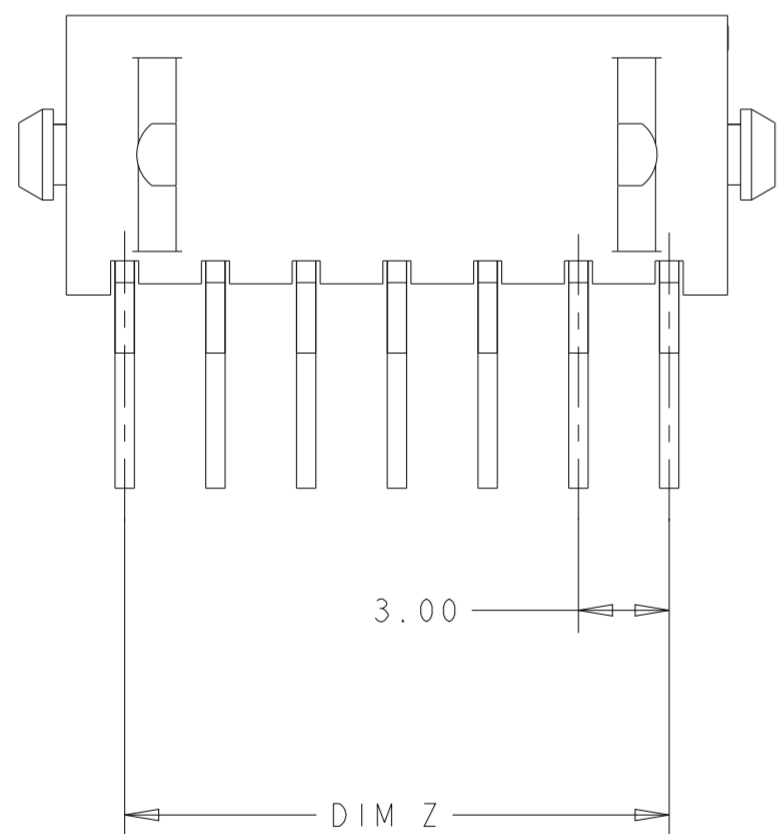


P	LTR	DESCRIPTION	DATE	DWN	APVD
G1		REVISED PER ECR-16-011506	27JUN2017	NK	CX
G2		ECO-19-006502	29APR2019	AP	WLS
G3		REVISED PER ECO-20-009852	14JUL2020	WLS	DZ
G4		REVISED PER ECN-21-100661	17MAR2021	WLS	VS



CIRCUIT NUMBER 1



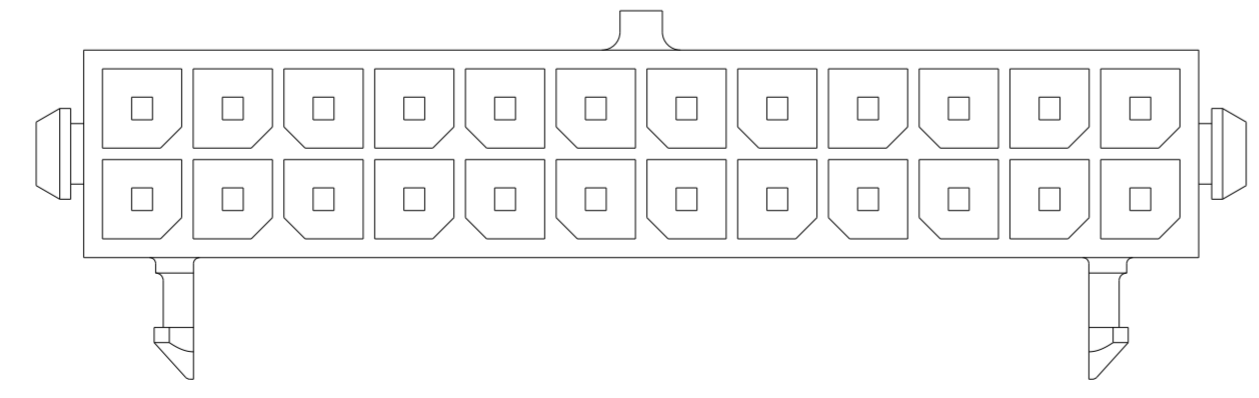
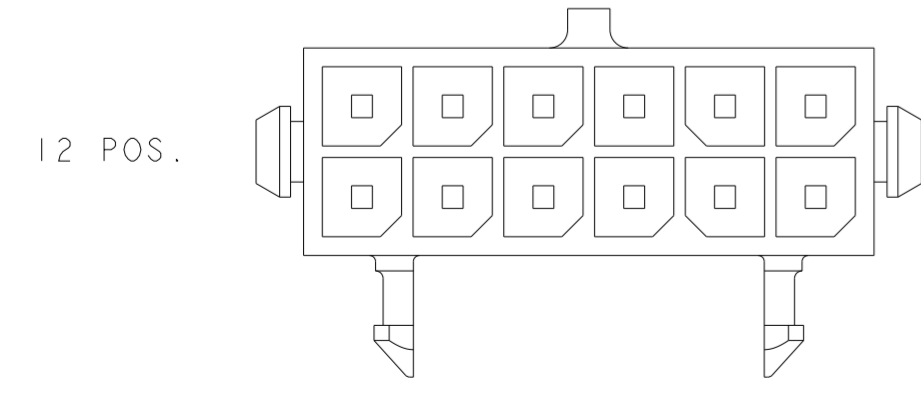
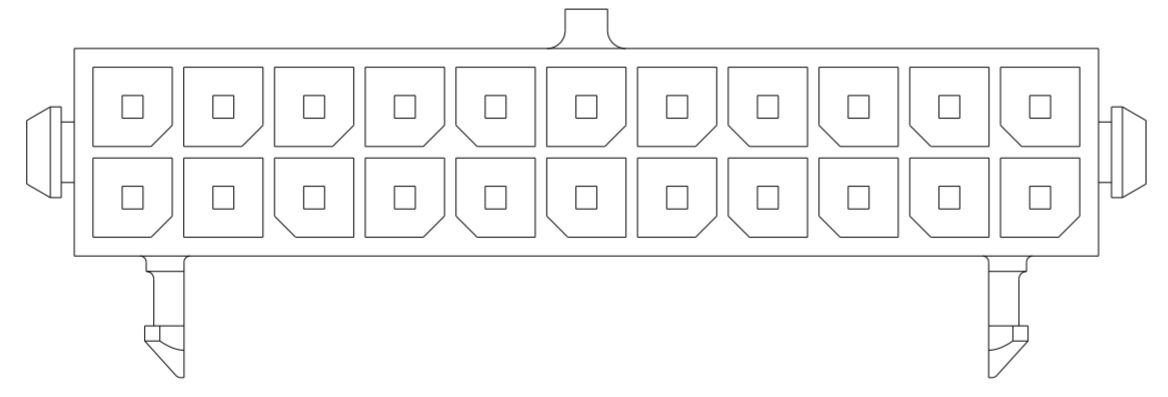
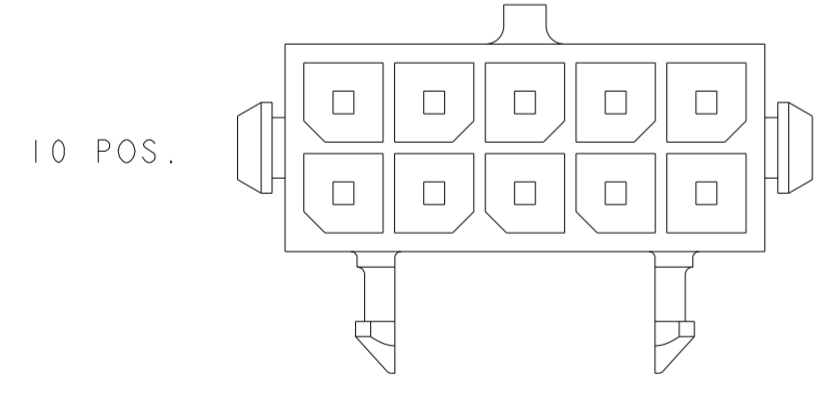
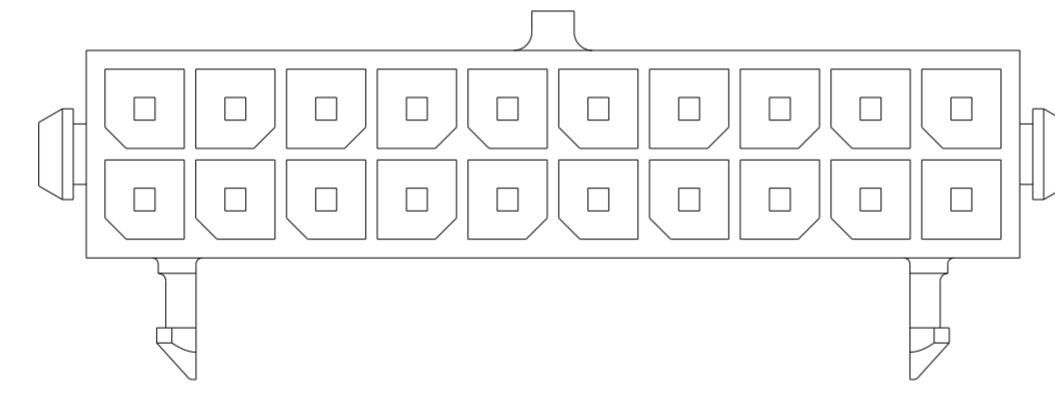
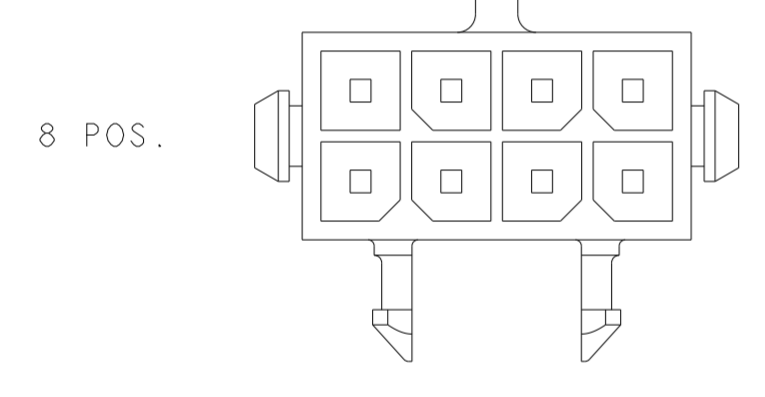
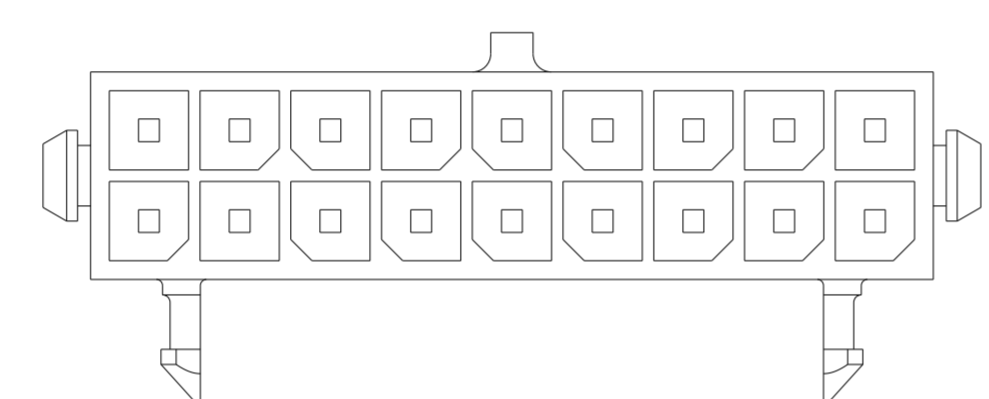
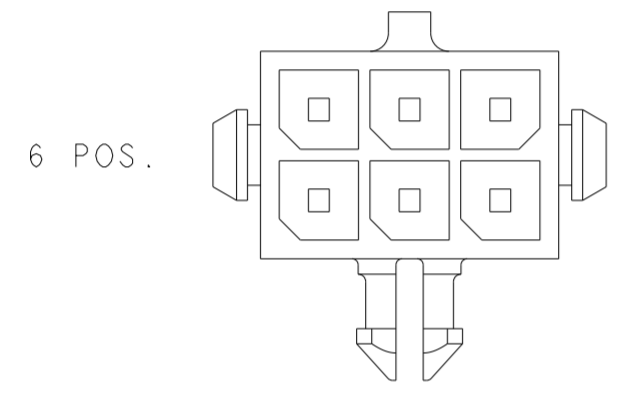
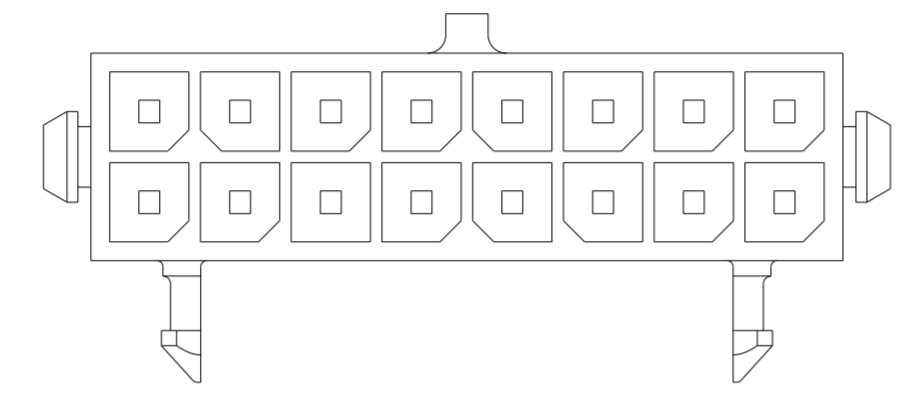
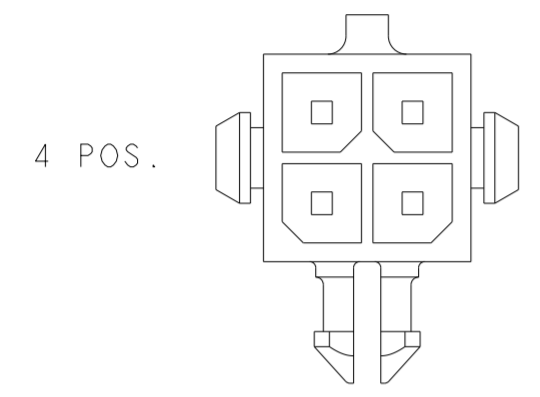
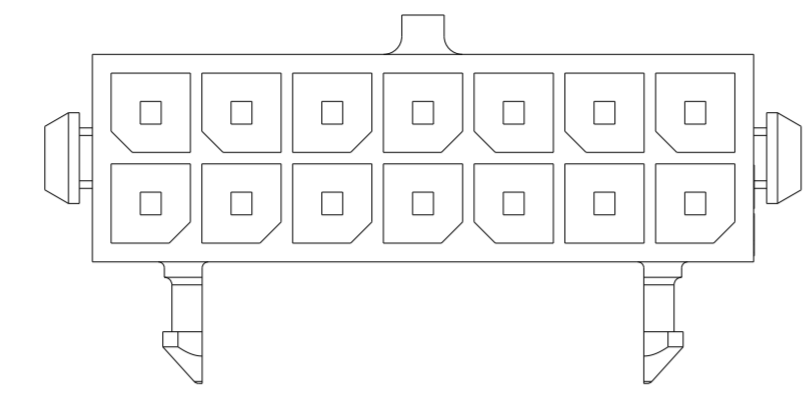
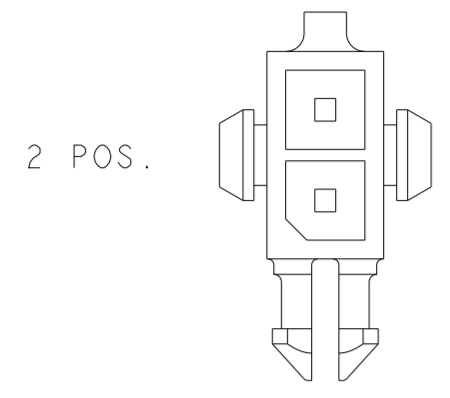
- 1 MATERIAL:  
HOUSING - UL 94V-0 RATED HIGH TEMP NYLON, COLOR BLACK.  
CONTACTS - BRASS.
- 2 DIMENSION APPLIES TO SOLDERTAIL SURFACES AND STANDOFF SURFACES.
- 3 RECOMMENDED PC BOARD THICKNESS OF 1.57.
- 4 ALL SOLDERTAILS.
- 5 PLATING:  
CONTACTS - 0.76µm MINIMUM GOLD ON MATING AREA  
2.54µm MINIMUM MATTE TIN ON SOLDER TAILS  
ALL OVER 1.27µm MINIMUM NICKEL.

6 COUNTERPART RECOMMENDED IS PN 794617 (DASH ACCORDING TO NUMBER OF POSITION).  
7 FOR REELING DIRECTION AND PACKAGING TYPE, SEE SPECIFICATION 114-13000.

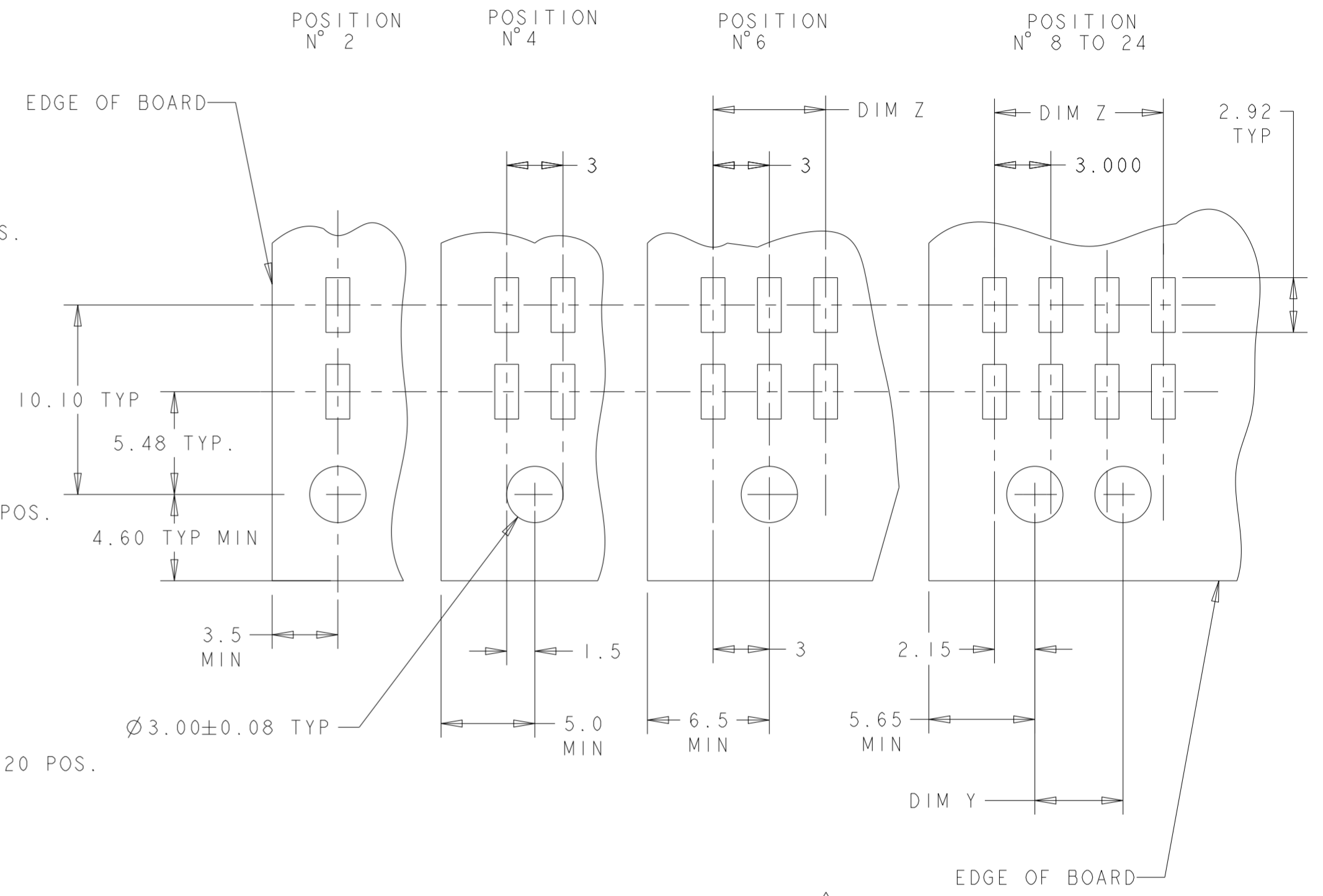
36.86	28.70	33.00	40.00	24	5-794623-4
33.86	25.70	30.00	37.00	22	5-794623-2
30.86	22.70	27.00	34.00	20	5-794623-0
27.86	19.70	24.00	31.00	18	4-794623-8
24.86	16.70	21.00	28.00	16	4-794623-6
21.86	13.70	18.00	25.00	14	4-794623-4
18.86	10.70	15.00	22.00	12	4-794623-2
15.86	7.70	12.00	19.00	10	4-794623-0
12.86	4.70	9.00	16.00	8	3-794623-8
9.86	-	6.00	13.00	6	3-794623-6
6.86	-	3.00	10.00	4	3-794623-4
3.86	-	-	7.00	2	3-794623-2
DIM W	DIM Y	DIM Z	DIM X	NO. OF POSN.	PART NUMBER

THIS DRAWING IS A CONTROLLED DOCUMENT.		DWN K. WHITAKER 28-JAN-2002	TE Connectivity																
DIMENSIONS: mm		CHK C. JONES 28-JAN-2002																	
TOLERANCES UNLESS OTHERWISE SPECIFIED:		APVD C. JONES 28-JAN-2002	NAME SURFACE MOUNT, R/A, 30 GOLD HEADER, PLASTIC BOARDLOCK, DUAL ROW, MICRO MATE-N-LOK																
<table border="0"> <tr><td>0 PLC</td><td>±</td></tr> <tr><td>1 PLC</td><td>±</td></tr> <tr><td>2 PLC</td><td>±0.13</td></tr> <tr><td>3 PLC</td><td>±</td></tr> <tr><td>4 PLC</td><td>±</td></tr> <tr><td>ANGLES</td><td>±1°</td></tr> <tr><td>FINISH</td><td></td></tr> </table>		0 PLC	±	1 PLC	±	2 PLC	±0.13	3 PLC	±	4 PLC	±	ANGLES	±1°	FINISH		PRODUCT SPEC 108-1836	SIZE A2	CAGE CODE -	DRAWING NO. G-794623
0 PLC	±																		
1 PLC	±																		
2 PLC	±0.13																		
3 PLC	±																		
4 PLC	±																		
ANGLES	±1°																		
FINISH																			
MATERIAL		APPLICATION SPEC 114-13000	RESTRICTED TO																
<table border="0"> <tr><td>1</td></tr> <tr><td>5</td></tr> </table>		1	5	WEIGHT -	SCALE 4:1	SHEET 1 OF 2	REV G4												
1																			
5																			
CUSTOMER DRAWING																			

REVISIONS				
P	LTR	DESCRIPTION	DATE	APVD
-	-	SEE SHEET 1	-	-



KEYING BY POSITION SIZE



RECOMMENDED PCB LAYOUT (COMPONENT SIDE)

THIS DRAWING IS A CONTROLLED DOCUMENT.		DWN K. WHITAKER 28-JAN-2002	 TE Connectivity
DIMENSIONS: mm		CHK C. JONES 28-JAN-2002	
TOLERANCES UNLESS OTHERWISE SPECIFIED:		APVD C. JONES 28-JAN-2002	NAME SURFACE MOUNT, R/A, 30 GOLD HEADER, PLASTIC BOARDLOCK, DUAL ROW, MICRO MATE-N-LOK
0 PLC ±	1 PLC ±	PRODUCT SPEC 108-1836	SIZE A2
2 PLC ±0.13	3 PLC ±	APPLICATION SPEC 114-13000	CAGE CODE -
4 PLC ±	ANGLES ±°	WEIGHT -	DRAWING NO G-794623
MATERIAL -	FINISH -	CUSTOMER DRAWING	RESTRICTED TO
		SCALE 4:1	SHEET 2 OF 2
			REV G4