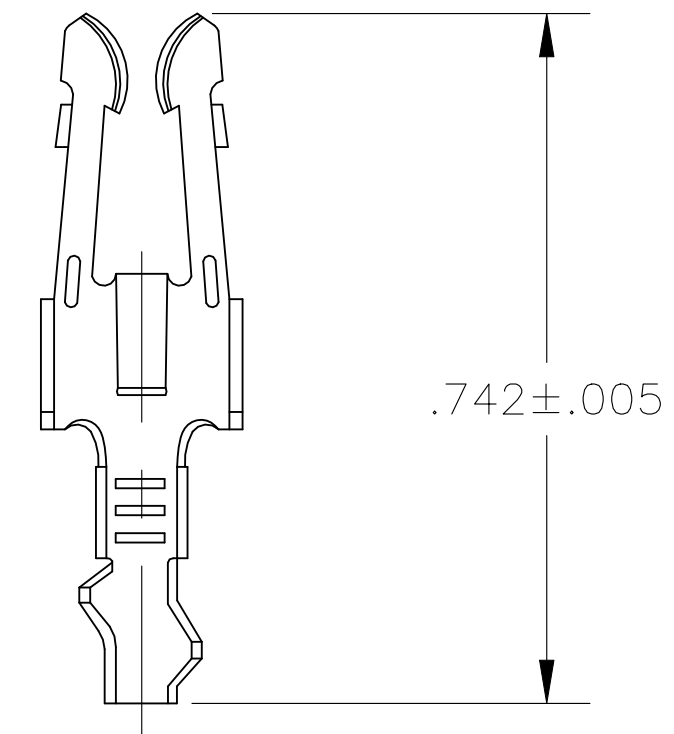
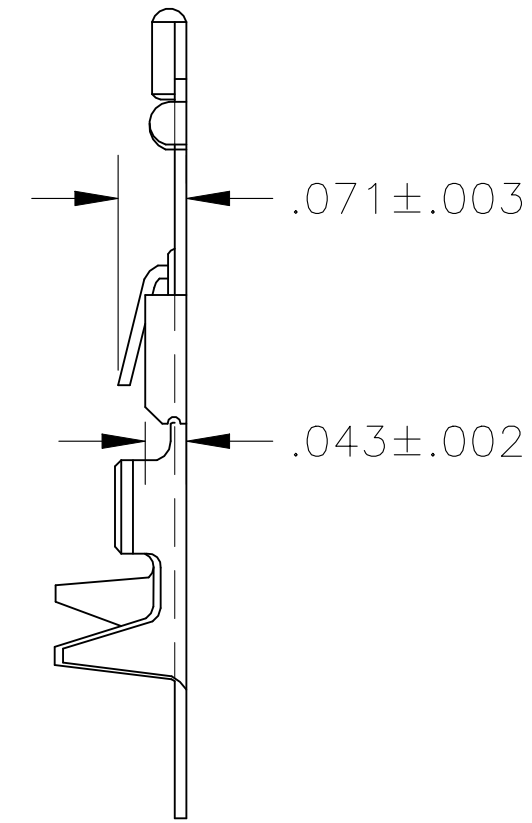
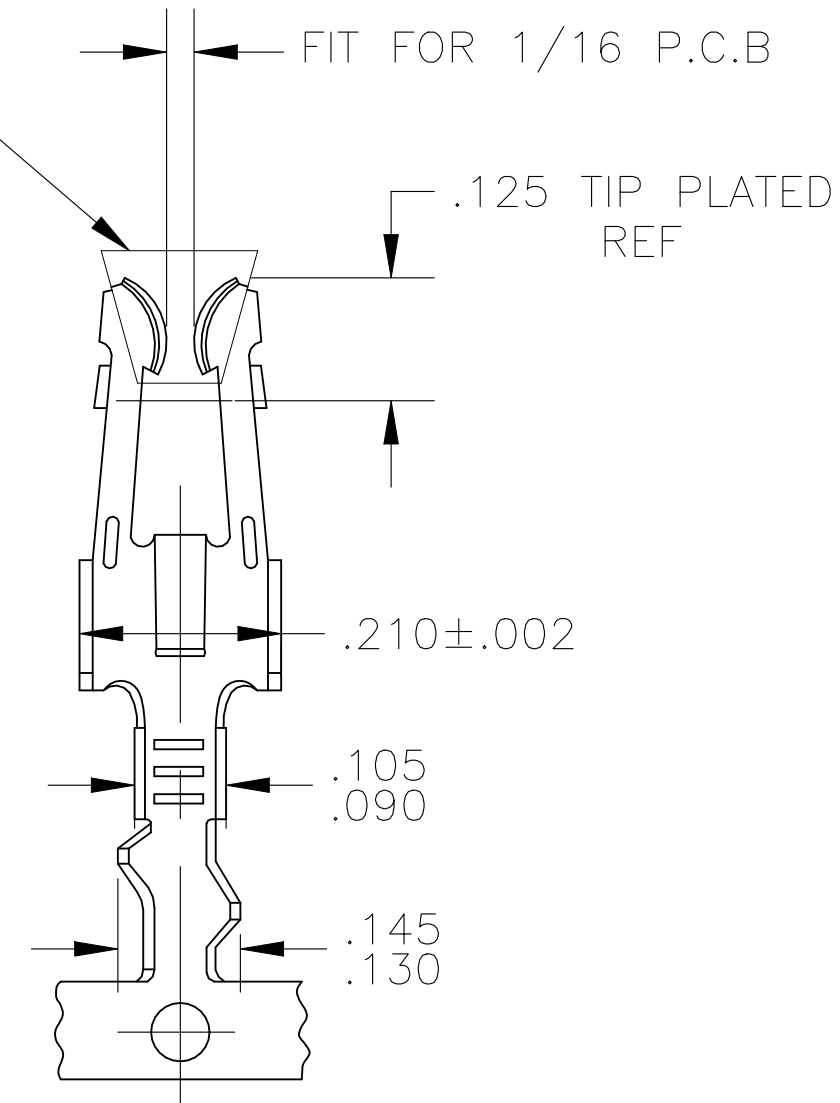


REVISIONS					
P	LTR	DESCRIPTION	DATE	DWN	APVD
B3		ECN-22-171534	30AUG2022	RK	JO

MINIMUM CONTACT AREA GOLD PLATED



LOOSE PIECE

1. WIRE SIZE: #20-#18 AWG, INSULATION RANGE .070-.110 DIA.

2 L-R REELING FOR MINI-APPLICATOR.

3 MATTE TIN PLATE IN CRIMP AREA.

4 OBSOLETE PARTS: OBSOLETE CIS STREAMLINING PER D.RENAUD/D.SINISI

NICKEL PLATE ALL OVER, TIP PLATE .000030 THICK GOLD.	583362-4 L.P(5-583363-3)	583362-7 ³
NICKEL PLATE ALL OVER, TIP PLATE .000015 THICK GOLD.	583362-3 L.P(5-583363-2)	⁴ 583362-6 ³
TIN.	583362-2 L.P(5-583363-1)	⁴ 583362-5 ³
NICKEL PLATE ALL OVER, TIP PLATE .000030 THICK GOLD, TIN-LEAD	583362-4 L.P(583363-3)	⁴ 583362-4 ²
NICKEL PLATE ALL OVER, TIP PLATE .000015 THICK GOLD, TIN-LEAD	583362-3 L.P(583363-2)	583362-3 ²
TIN-LEAD	583362-2 L.P(583363-1)	583362-2 ²
FINISH	LOOSE PIECE COMBINATION NO.	PART NO.

THIS DRAWING IS A CONTROLLED DOCUMENT.		DWN	16SEP67	TE TE Connectivity	
DIMENSIONS: INCHES		CHK	-		
TOLERANCES UNLESS OTHERWISE SPECIFIED:		APVD	-	NAME	
0 PLC ± -		PRODUCT SPEC	-	MODIFIED FORK CONTACT	
1 PLC ± -		APPLICATION SPEC	-	SIZE	A2
2 PLC ± -		WEIGHT	-	CAGE CODE	00779
3 PLC ± -		FINISH	SEE TABLE	DRAWING NO	C=583362
4 PLC ± -		MATERIAL	PHOS. BRONZE	RESTRICTED TO	-
ANGLES ± -		CUSTOMER DRAWING	SCALE	4:1	SHEET
FINISH		SCALE	4:1	1 OF 1	REV
SEE TABLE		SCALE	4:1	1 OF 1	B3