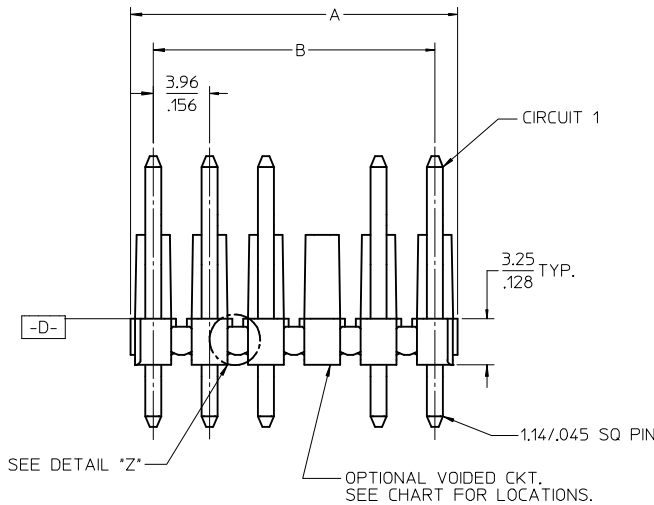
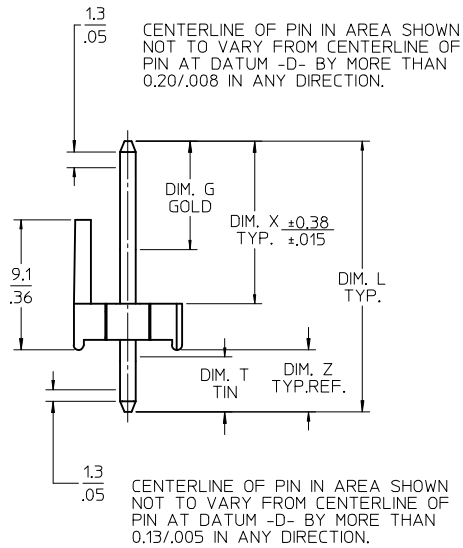
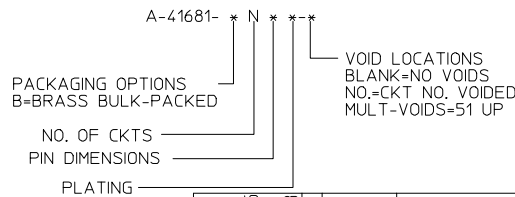


PCB LAYOUT: COMPONENT SIDE
RECOMMENDED PCB THICKNESS:
1.57 ± 0.18 / .062 ± .007



- NOTES:
 1. MATERIAL: HEADER: GLASS FILLED POLYESTER, 94V-0, MOLDED BLACK PINS- BRASS
 2. FINISH:
 (197) = OVERALL REFLOWED MATTE TIN: (0.00152)/.000060 MIN. OVER (0.00127)/.000050 MIN.
 (208) = SELECT GOLD: (0.00038)/.000015 MIN. OVER SELECT TIN: (0.00254)/.000100 MIN. OVER NICKEL OVERALL: (0.000127)/.000050 MIN.
 (228) = SELECT GOLD: (0.00076)/.000030 MIN. OVER NICKEL OVERALL: (0.00127)/.000050 MIN.
 (241) = SELECT GOLD: (0.00051)/.000020 MIN. OVER NICKEL OVERALL: (0.00127)/.000050 MIN.
 3. PRODUCT SPECIFICATION: PS-08-50.
 4. PACKAGING: SEE CHART
 5. SOLDERABILITY: PER SMES-152.
 6. PIN PUSH-OUT FORCE: PRIOR TO SOLDERING, A 3 LB. MINIMUM FORCE IN EITHER DIRECTION SHALL BE REQUIRED TO PUSH THE PIN OUT OF THE HEADER.
 7. PARTS ARE STACKABLE END TO END ON 3.96/.156 CENTERS. (SPACING TABS MUST BE REMOVED ON CIRCUIT SIZES 1-23 BEFORE PARTS ARE STACKABLE.)
 8. TEXT ON PART IS FOR REFERENCE ONLY. TEXT AND TEXT LOCATION MAY VARY DEPENDING ON PART NUMBER AND/OR TOOL.



CIRCUIT	A	B
2	6.78/7.87 .267/.310	3.96 .156
3	10.74/11.84 .423/.466	7.92 .312
4	14.71/15.80 .579/.622	11.89 .468
5	18.67/19.76 .735/.778	15.85 .624
6	22.63/23.72 .891/.934	19.81 .780
7	26.59/27.69 1.047/1.090	23.77 .936
8	30.56/31.65 1.203/1.246	27.74 1.092
9	34.52/35.61 1.359/1.402	31.70 1.248
10	38.48/39.57 1.515/1.558	35.66 1.404
11	42.44/43.54 1.671/1.714	39.62 1.560
12	46.41/47.50 1.827/1.870	43.59 1.716
13	50.37/51.46 1.983/2.026	47.55 1.872
14	54.33/55.42 2.139/2.182	51.51 2.028
15	58.29/59.39 2.295/2.338	55.47 2.184
16	62.26/63.35 2.451/2.494	59.44 2.340
17	66.22/67.31 2.607/2.650	63.40 2.496
18	70.18/71.27 2.763/2.806	67.36 2.652
19	74.14/75.23 2.919/2.962	71.32 2.808
20	78.11/79.20 3.075/3.118	75.29 2.964
21	82.07/83.16 3.231/3.274	79.25 3.120
22	86.03/87.12 3.387/3.430	83.21 3.276
23	89.94/91.08 3.541/3.586	87.17 3.432
24	93.85/95.00 3.695/3.740	91.14 3.588

2-*	T
1	U
SHT.	REV.

ENTER DESCRIPTION EC NO: UCP2018-0013 DRAWINGS: 2017/07/05 CHKD: ISHWARG APPR: ISHWARG 2017/07/28 DESCRIPTION	QUALITY SYMBOLS	GENERAL TOLERANCES (UNLESS SPECIFIED)	DIMENSION STYLE	SCALE	DESIGN UNITS	THIRD ANGLE PROJECTION
	▽=0	mm INCH	MM/IN	4:1	INCH	☉ □
	▽=0	4 PLACES ± --- ± ---	DRAWN BY DATE	TITLE	KK .156 HEADER ASSEMBLY	
	▽=0	3 PLACES ± --- ± .006	SAMIEC 08/09/85	CHECKED BY DATE	POLARIZING STRAIGHT	
	2 PLACES ± 0.15 ± .010	PATEL 08/09/85	APPROVED BY DATE	2-24 CKTS.		
	1 PLACE ± 0.25 ± ---	LENZ 08/09/85	MATERIAL NO.	DOCUMENT NO.	molex	
	0 PLACE ± ±		SEE CHART	SD-41681-001	SHEET NO. 1 OF *	
		ANGULAR ± 1/2°	THIS DRAWING CONTAINS INFORMATION THAT IS PROPRIETARY TO MOLEX INCORPORATED AND SHOULD NOT BE USED WITHOUT WRITTEN PERMISSION			
		DRAFT WHERE APPLICABLE MUST REMAIN WITHIN DIMENSIONS				

ENG. NO: A-41681-BNA197-*				ENG. NO: A-41681-BNA241-*				ENG. NO: A-41681-BNC197-*			
PIN NUMBER		43294-0240		PIN NUMBER		43294-0241		PIN NUMBER		43294-0193	
PLATING		197		PLATING		241		PLATING		197	
DIM. L		(19.05)/.750		DIM. L		(19.05)/.750		DIM. L		(17.78)/.700	
DIM. X		(11.43)/.450		DIM. X		(11.43)/.450		DIM. X		(11.35)/.447	
DIM. G (GOLD)		N/A		DIM. G (GOLD)		(6.86)/.270		DIM. G (GOLD)		N/A	
DIM. Z		(4.37)/.172		DIM. Z		(4.37)/.172		DIM. Z		(3.18)/.125	
DIM. T (TIN)		OVERALL		DIM. T (TIN)		(4.06)/.160		DIM. T (TIN)		OVERALL	
PACKAGING		PK-41681-001 (BULK)		PACKAGING		PK-41681-001 (BULK)		PACKAGING		PK-41681-001 (BULK)	
CKTS	EDP NO.	ENG. NO.	VOIDS	CKTS	EDP NO.	ENG. NO.	VOIDS	CKTS	EDP NO.	ENG. NO.	VOIDS
02	26-48-1023	A-41681-B2A197		02	26-48-2023	A-41681-B2A241		02	26-48-7025	A-41681-B2C197	
03	26-48-1033	A-41681-B3A197		03	26-48-2033	A-41681-B3A241		03	26-48-7035	A-41681-B3C197	
04	26-48-1043	A-41681-B4A197		04	26-48-2043	A-41681-B4A241		04	26-48-7045	A-41681-B4C197	
05	26-48-1053	A-41681-B5A197		05	26-48-2053	A-41681-B5A241		05	26-48-7055	A-41681-B5C197	
06	26-48-1063	A-41681-B6A197		06	26-48-2063	A-41681-B6A241		06	26-48-7065	A-41681-B6C197	
07	26-48-1073	A-41681-B7A197		07	26-48-2073	A-41681-B7A241		07	26-48-7075	A-41681-B7C197	
08	26-48-1083	A-41681-B8A197		08	26-48-2083	A-41681-B8A241		08	26-48-7085	A-41681-B8C197	
09	26-48-1093	A-41681-B9A197		09	26-48-2093	A-41681-B9A241		09	26-48-7095	A-41681-B9C197	
10	26-48-1103	A-41681-B10A197		10	26-48-2103	A-41681-B10A241		10	26-48-7105	A-41681-B10C197	
11	26-48-1113	A-41681-B11A197		11	26-48-2113	A-41681-B11A241		11	26-48-7115	A-41681-B11C197	
12	26-48-1123	A-41681-B12A197		12	26-48-2123	A-41681-B12A241		12	26-48-7125	A-41681-B12C197	
13	26-48-1133	A-41681-B13A197		13	26-48-2133	A-41681-B13A241		13	26-48-7135	A-41681-B13C197	
14	26-48-1143	A-41681-B14A197		14	26-48-2143	A-41681-B14A241		14	26-48-7145	A-41681-B14C197	
15	26-48-1153	A-41681-B15A197		15	26-48-2153	A-41681-B15A241		15	26-48-7155	A-41681-B15C197	
16	26-48-1163	A-41681-B16A197		16	26-48-2163	A-41681-B16A241		16	26-48-7165	A-41681-B16C197	
17	26-48-1173	A-41681-B17A197		17	26-48-2173	A-41681-B17A241		17	26-48-7175	A-41681-B17C197	
18	26-48-1183	A-41681-B18A197		18	26-48-2183	A-41681-B18A241		18	26-48-7185	A-41681-B18C197	
19	26-48-1193	A-41681-B19A197		19	26-48-2193	A-41681-B19A241		19	26-48-7195	A-41681-B19C197	
20	26-48-1203	A-41681-B20A197		20	26-48-2203	A-41681-B20A241		20	26-48-7205	A-41681-B20C197	
21	26-48-1213	A-41681-B21A197		21	26-48-2213	A-41681-B21A241		21	26-48-7215	A-41681-B21C197	
22	26-48-1223	A-41681-B22A197		22	26-48-2223	A-41681-B22A241		22	26-48-7225	A-41681-B22C197	
23	26-48-1233	A-41681-B23A197		23	26-48-2233	A-41681-B23A241		23	26-48-7235	A-41681-B23C197	
24	26-48-1243	A-41681-B24A197		24	26-48-2243	A-41681-B24A241		24	26-48-7245	A-41681-B24C197	
13	26-49-6137	A-41681-B13A197-12	12								
17	26-49-6177	A-41681-B17A197-2	2								
20	26-49-6207	A-41681-B20A197-17	17								

REV: T	ECR/ECN INFORMATION	TITLE: KK .156 HEADER ASSEMBLY POLARIZING STRAIGHT 2-24 CKTS	SHEET No.
	EC No: UCP2012-0114		- 2 -
	DATE: 7/26/2011		
DOCUMENT NUMBER: SD-41681-001	CREATED / REVISED BY: MMSTROH	CHECKED BY: MKIPPER	APPROVED BY: FSMITH

