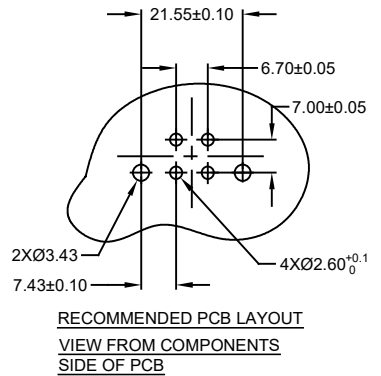
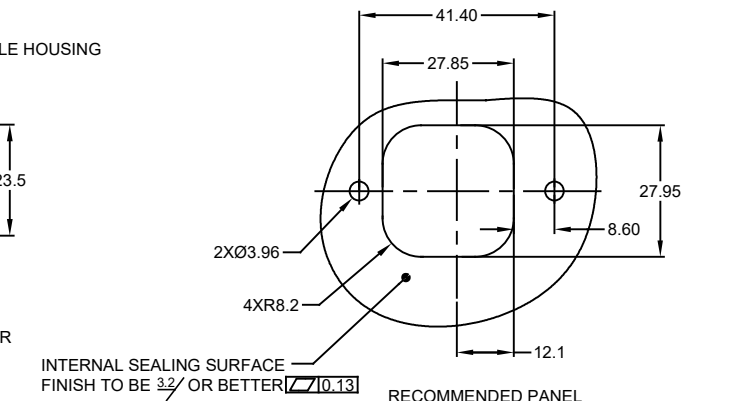
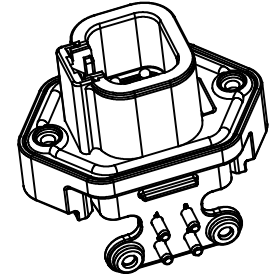
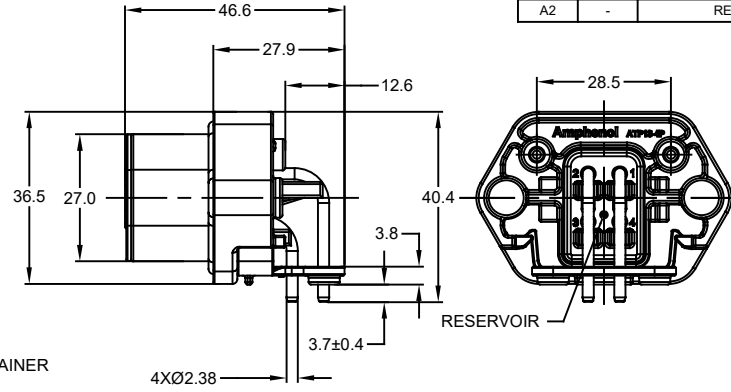
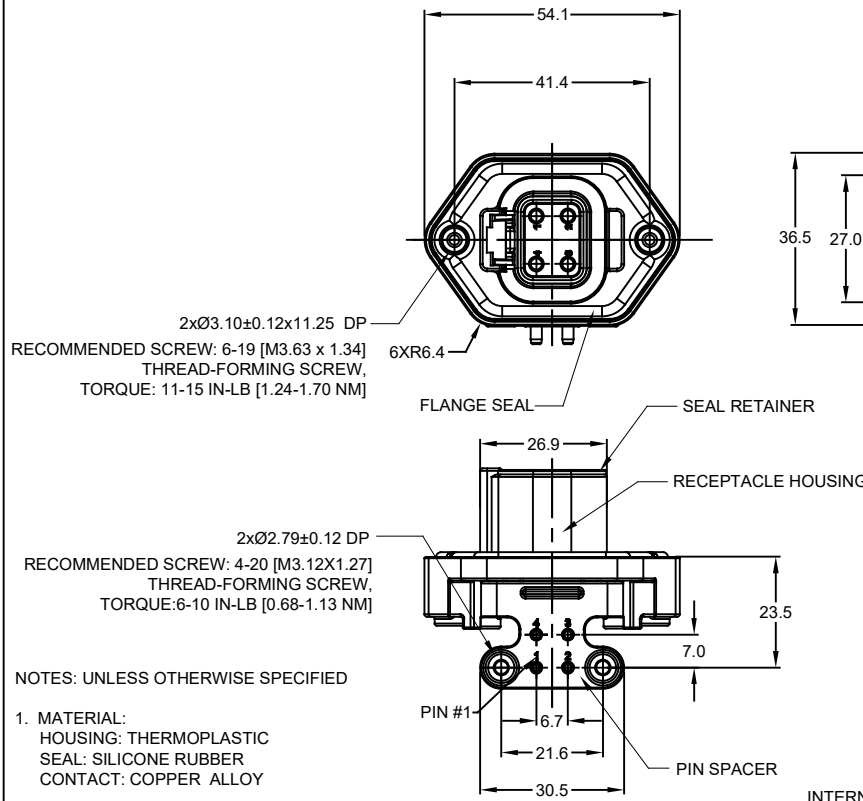


REVISIONS					
REV	ECO	DESCRIPTION	DATE	BY	APPR
A1	-	RELEASE	6JUN19	JAH	TOMMY
A2	-	REVISED DRAWING	10JUL20	JHEAD	DH



ATP13-4P-BM0XXX VARIANTS			
CONTACT PLATING	POTTING OR NOT IN RESERVOIR	COLOR	PART NUMBER
GOLD	NO POTTING	GRAY	ATP13-4P-BM01GRY
GOLD	POTTING	GRAY	ATP13-4P-BM02GRY
TIN	NO POTTING	GRAY	ATP13-4P-BM03GRY
TIN	POTTING	GRAY	ATP13-4P-BM04GRY
GOLD	NO POTTING	BLACK	ATP13-4P-BM01BLK
GOLD	POTTING	BLACK	ATP13-4P-BM02BLK
TIN	NO POTTING	BLACK	ATP13-4P-BM03BLK
TIN	POTTING	BLACK	ATP13-4P-BM04BLK

ATP13-4P-BM0XXX		REF: DTP13-4P	
QUANTITY	PART NUMBER	DESCRIPTION	ITEM
MATERIALS LIST			
UNLESS OTHERWISE SPECIFIED		SIGNATURES	
1) All dimensions are in metric (mm).		DATE	
2) Tolerances are as follows:		DRAWN: PETER YANG 14MAY19	
1 PL DEC ±0.30 Fractions ±1/64		CHECKED: ORION LI 14MAY19	
2 PL DEC ±0.15 Angles ±1°		ENGINEER:	
3 PL DEC ±0.08		APPROVAL: TOMMY XIE 14MAY19	
3) Note reference =		CUSTOMER:	
MATERIAL SPECIFICATIONS:		THIS DRAWING IS SUPPLIED FOR INFORMATION ONLY. DESIGN FEATURES, SPECIFICATIONS AND PERFORMANCE DATA SHOWN HEREON ARE THE PROPERTY OF THE AMPHENOL CORPORATION. NO RIGHTS OF REPRODUCTION ARE IMPLIED. ALL DIMENSIONS ARE SUBJECT TO NORMAL MANUFACTURING VARIATIONS.	
PROCESS SPECIFICATIONS:		SIZE TYPE DWG NO. REVISION	
NEXT ASSY:		B C- ATP13-4P-BM0XXX A2	
SCALE: NONE		SHEET 1 OF 1	

TITLE: BOARDLOCK PCB MOUNT RECEPTACLE PIN RA FLANGE, ATP SERIES
DWG NO.: ATP13-4P-BM0XXX
REV: A2
SH: 1
OF: 1