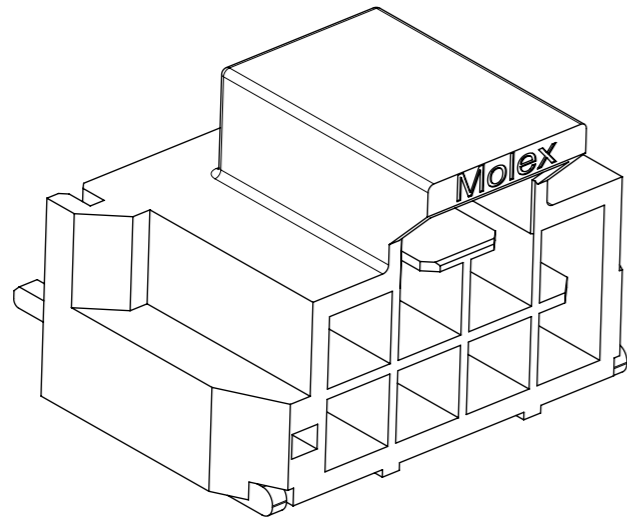


RECOMMENDED PCB LAYOUT (CONNECTOR SIDE VIEW)
THICKNESS=1.6mm MIN. TOLERANCE: ±0.05

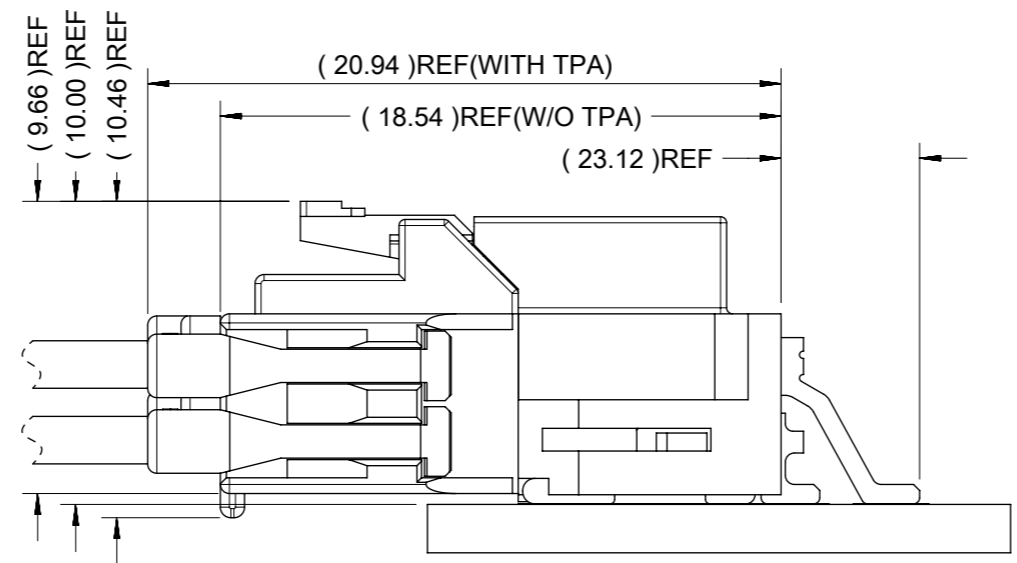


THIS DRAWING CONTAINS INFORMATION THAT IS PROPRIETARY TO MOLEX ELECTRONIC TECHNOLOGIES, LLC AND SHOULD NOT BE USED WITHOUT WRITTEN PERMISSION

2019/10/14 2019/10/15 2019/10/15	GENERAL TOLERANCES (UNLESS SPECIFIED)	DIMENSION UNITS	SCALE	molex [®]			
		mm	5:1				
EC NO: 625587 DRWN: GLLI CHK'D: YXZHENG APPR: YXZHENG	ANGULAR TOL ± 3.0 °	DRWN BY	DATE	SD DRAWING FOR NANO-FIT SMT HEADER POWER CONNECTOR			
	4 PLACES ±	GLLI	2019/10/14				
	3 PLACES ±	CHK'D BY	DATE	PRODUCT CUSTOMER DRAWING			
	2 PLACES ± 0.2	APPR BY	DATE				
	1 PLACE ± 0.3	YXZHENG	2019/10/15	SERIES	MATERIAL NUMBER	CUSTOMER	
	0 PLACES ±	DRAFT WHERE APPLICABLE MUST REMAIN WITHIN DIMENSIONS	DRAWING SIZE	THIRD ANGLE PROJECTION	105405	SEE CHART IN SHEET 2	GENERAL MARKET
A	REV	A3		DOCUMENT NUMBER	DOC TYPE	DOC PART	SHEET NUMBER
				1054059000-SD	PSD	000	1 OF 3

PART NUMBER	DIM. A	DIM. B	DIM. C	DIM. D	CKT SIZE	PLATING	LUBE
105405-9104	8.74	3.82	2.50	7.04	4	TIN	
105405-9106	11.24	5.07	5.00	9.54	6		
105405-9108	13.74	6.32	7.50	12.04	8		
105405-9110	16.24	7.57	10.00	14.54	10		
105405-9112	18.74	8.82	12.50	17.04	12		
105405-9114	21.24	10.07	15.00	19.54	14		
105405-9116	23.74	11.32	17.50	22.04	16		
105405-9204	8.74	3.82	2.50	7.04	4		
105405-9206	11.24	5.07	5.00	9.54	6		
105405-9208	13.74	6.32	7.50	12.04	8		
105405-9210	16.24	7.57	10.00	14.54	10		
105405-9212	18.74	8.82	12.50	17.04	12		
105405-9214	21.24	10.07	15.00	19.54	14		
105405-9216	23.74	11.32	17.50	22.04	16		
105405-9304	8.74	3.82	2.50	7.04	4	GOLD 0.76	
105405-9306	11.24	5.07	5.00	9.54	6		
105405-9308	13.74	6.32	7.50	12.04	8		
105405-9310	16.24	7.57	10.00	14.54	10		
105405-9312	18.74	8.82	12.50	17.04	12		
105405-9314	21.24	10.07	15.00	19.54	14		
105405-9316	23.74	11.32	17.50	22.04	16		
105405-9404	8.74	3.82	2.50	7.04	4		
105405-9406	11.24	5.07	5.00	9.54	6		
105405-9408	13.74	6.32	7.50	12.04	8		
105405-9410	16.24	7.57	10.00	14.54	10		
105405-9412	18.74	8.82	12.50	17.04	12		
105405-9414	21.24	10.07	15.00	19.54	14		
105405-9416	23.74	11.32	17.50	22.04	16		

COLOR: BLACK



PART NUMBER	PACKING DRAWING
105405-XX04	PK-105405-001
105405-XX06	PK-105405-002
105405-XX08	PK-105405-003
105405-XX10	
105405-XX12	PK-105405-004
105405-XX14	
105405-XX16	

PART NUMBER	DIM. A	DIM. B	DIM. C	DIM. D	CKT SIZE	PLATING	LUBE
105405-9504	8.74	3.82	2.50	7.04	4	TIN	
105405-9506	11.24	5.07	5.00	9.54	6		
105405-9508	13.74	6.32	7.50	12.04	8		
105405-9510	16.24	7.57	10.00	14.54	10		
105405-9512	18.74	8.82	12.50	17.04	12		
105405-9514	21.24	10.07	15.00	19.54	14		
105405-9516	23.74	11.32	17.50	22.04	16		
105405-9604	8.74	3.82	2.50	7.04	4		
105405-9606	11.24	5.07	5.00	9.54	6		
105405-9608	13.74	6.32	7.50	12.04	8		
105405-9610	16.24	7.57	10.00	14.54	10		
105405-9612	18.74	8.82	12.50	17.04	12		
105405-9614	21.24	10.07	15.00	19.54	14		
105405-9616	23.74	11.32	17.50	22.04	16		
105405-9704	8.74	3.82	2.50	7.04	4	GOLD 0.76	
105405-9706	11.24	5.07	5.00	9.54	6		
105405-9708	13.74	6.32	7.50	12.04	8		
105405-9710	16.24	7.57	10.00	14.54	10		
105405-9712	18.74	8.82	12.50	17.04	12		
105405-9714	21.24	10.07	15.00	19.54	14		
105405-9716	23.74	11.32	17.50	22.04	16		
105405-9804	8.74	3.82	2.50	7.04	4		
105405-9806	11.24	5.07	5.00	9.54	6		
105405-9808	13.74	6.32	7.50	12.04	8		
105405-9810	16.24	7.57	10.00	14.54	10		
105405-9812	18.74	8.82	12.50	17.04	12		
105405-9814	21.24	10.07	15.00	19.54	14		
105405-9816	23.74	11.32	17.50	22.04	16		

COLOR: NATURAL

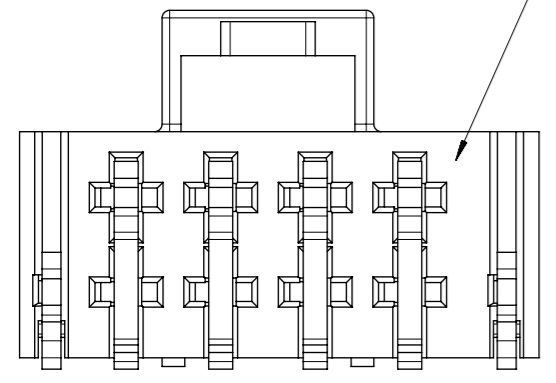
NOTES FOR ALL PARTS

1> MATERIAL:
HOUSING: LCP. UL 94V-0.
TERMINAL: BRASS.
SOLDER CLIP: BRASS.

2> PLATING FINISHED:
TERMINAL:
CONTACT AREA:
a. REFLOWED MATTE TIN 0.76 MICRONS MIN; b. GOLD 0.38 MICRONS MIN; c. GOLD 0.76 MICRONS MIN.
SOLDER AREA: TIN 0.76 MICRONS MINIMUM.
UNDER PLATING NICKEL 1.25 MICRONS MINIMUM.
SOLDER CLIP: TIN 2.5 MICRONS MINIMUM; UNDER PLATING NICKEL 1.25 MICRONS MINIMUM.

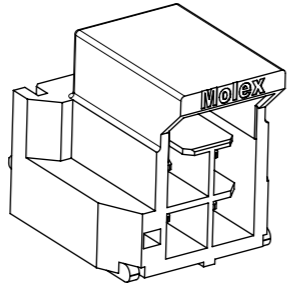
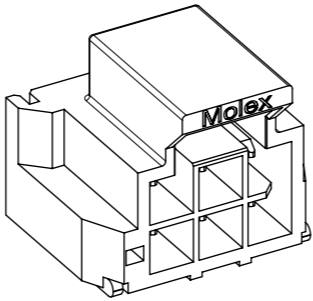
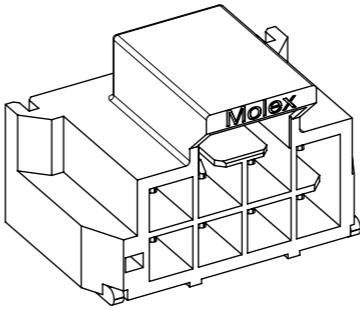
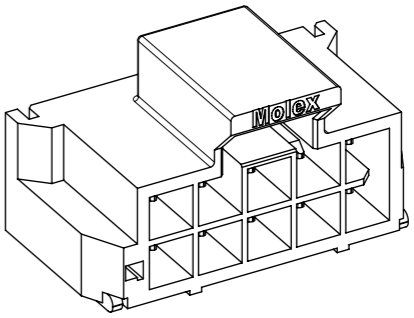
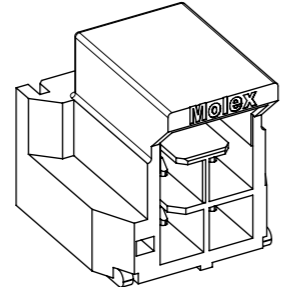
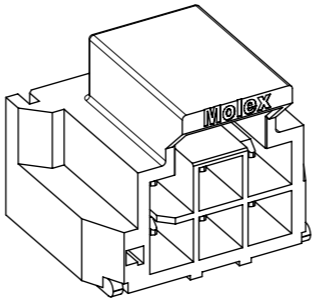
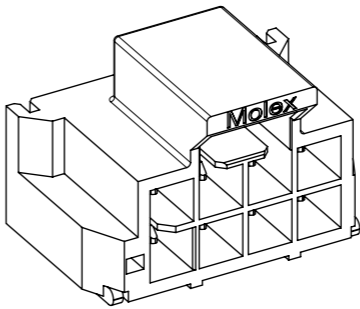
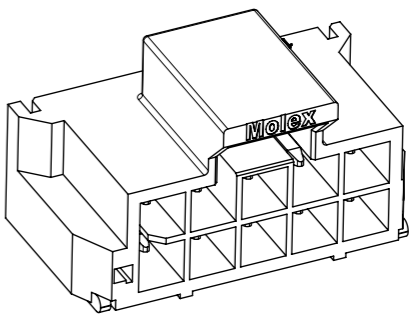
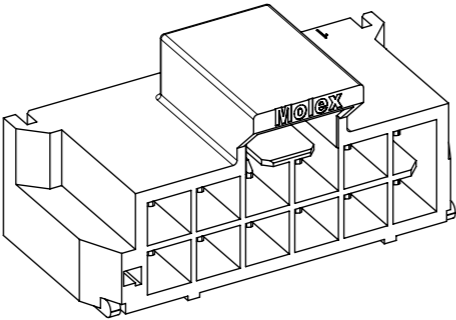
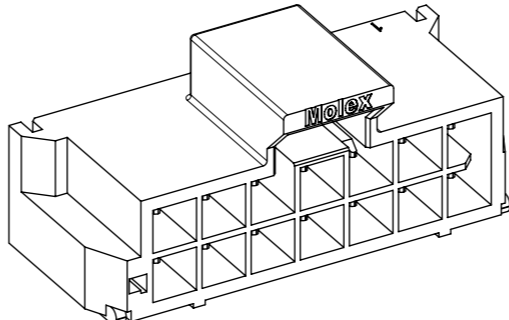
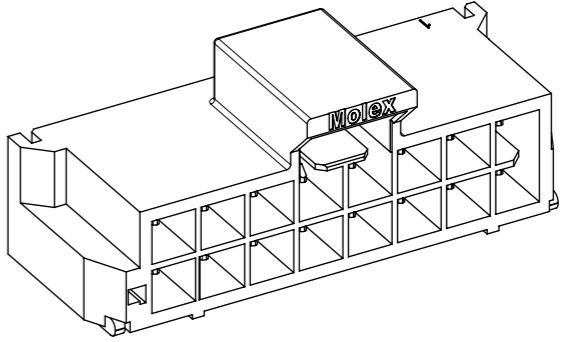
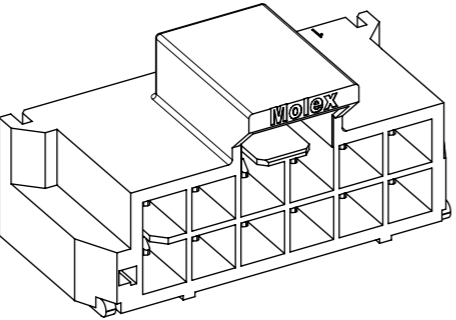
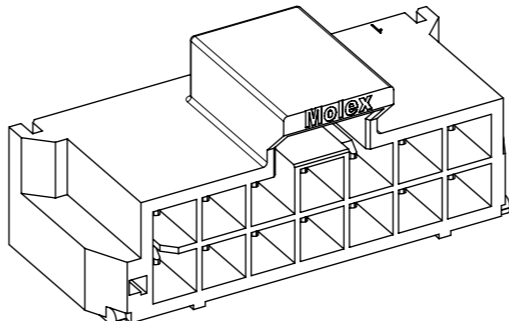
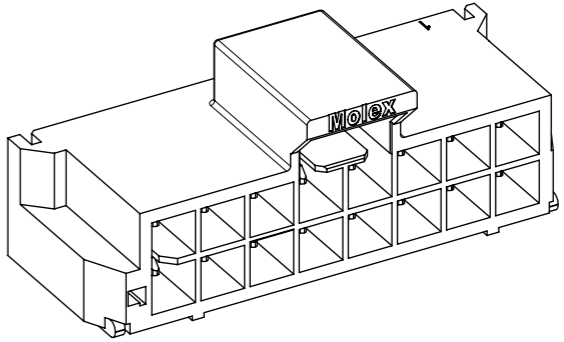
3> PRODUCT SPECIFICATION: PS-105405-001.
4> PACKAGE: REEL, OTHER INFORMATION REFER TO CHAT.
5> ALL COMPONENTS AND PRODUCT COMPLIANT TO RoHS DIRECTIVE 2011/65/EU AND ELV DIRECTIVE 2000/53/EC.
6> PRODUCT MATE WITH SERIES OF 105308(RECEPTACLE), 105300(CRIMP TERMINAL).
7> PARTS CONFORM TO CLASS 'B' REQUIREMENTS OF COSMETIC SPECIFICATION PS-45499-002.

IF ANY NUMBER MARK APPEARS ON THIS SURFACE, PLEASE DISREGARD IT, IT IS NO ANY FUCTION AND NO ANY RELATION TO PIN NUMBER, IT IS JUST FOR MOLDING IDENTIFICATION.




THIS DRAWING CONTAINS INFORMATION THAT IS PROPRIETARY TO MOLEX ELECTRONIC TECHNOLOGIES, LLC AND SHOULD NOT BE USED WITHOUT WRITTEN PERMISSION

2019/10/14 2019/10/15 2019/10/15 EC NO: 625587 DRWN: GLLI CHK'D: YXZHENG APPR: YXZHENG	GENERAL TOLERANCES (UNLESS SPECIFIED)		DIMENSION UNITS	SCALE	
	ANGULAR TOL ± 3.0 °		mm	5:1	
	4 PLACES ±	DRWN BY		DATE	
	3 PLACES ±	GLLI		2019/10/14	
2 PLACES ± 0.2	CHK'D BY		DATE	PRODUCT CUSTOMER DRAWING SERIES: 105405 MATERIAL NUMBER: SEE CHART CUSTOMER: GENERAL MARKET	
1 PLACE ± 0.3	APPR BY		DATE		
0 PLACES ±	YXZHENG		2019/10/15		
DRAFT WHERE APPLICABLE MUST REMAIN WITHIN DIMENSIONS		DRAWING SIZE	THIRD ANGLE PROJECTION		DOCUMENT NUMBER: 1054059000-SD
A	REV	A3			DOC TYPE: PSD
				DOC PART: 000	
				SHEET NUMBER: 2 OF 3	

		4 CKT	6 CKT	8 CKT	10 CKT
BLACK					
NATURAL					
		12 CKT	14 CKT		16 CKT
BLACK					
NATURAL					

THIS DRAWING CONTAINS INFORMATION THAT IS PROPRIETARY TO MOLEX ELECTRONIC TECHNOLOGIES, LLC AND SHOULD NOT BE USED WITHOUT WRITTEN PERMISSION

2019/10/14 2019/10/15 2019/10/15 EC NO: 625587 DRWN: GLLI CHK'D: YXZHENG APPR: YXZHENG	GENERAL TOLERANCES (UNLESS SPECIFIED)		DIMENSION UNITS	SCALE	 SD DRAWING FOR NANO-FIT SMT HEADER POWER CONNECTOR			
	ANGULAR TOL ± 3.0 °		mm	3:1				
	4 PLACES ±	DRWN BY	GLLI	DATE		2019/10/14		
	3 PLACES ±	CHK'D BY		DATE				
2 PLACES ± 0.2	APPR BY	YXZHENG	DATE	2019/10/15	PRODUCT CUSTOMER DRAWING			
1 PLACE ± 0.3	DRAWING SIZE	A3	THIRD ANGLE PROJECTION		SERIES	MATERIAL NUMBER	CUSTOMER	
0 PLACES ±	DRAFT WHERE APPLICABLE MUST REMAIN WITHIN DIMENSIONS				105405	SEE CHART IN SHEET 2	GENERAL MARKET	
					DOCUMENT NUMBER	DOC TYPE	DOC PART	SHEET NUMBER
					1054059000-SD	PSD	000	3 OF 3