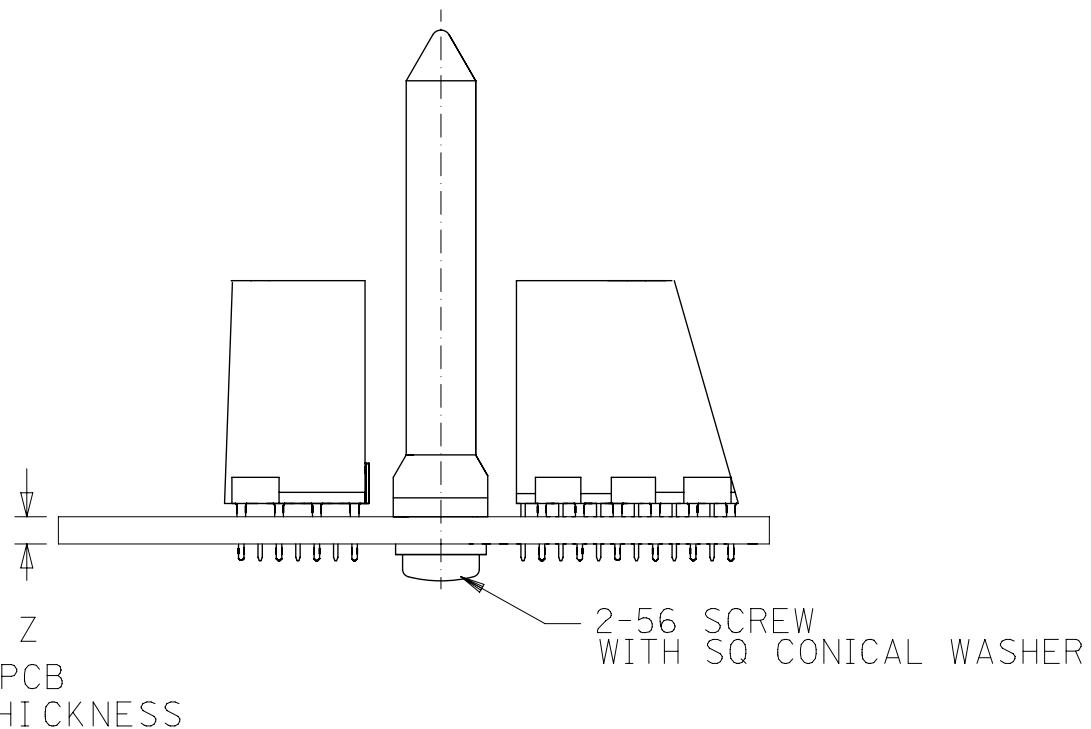
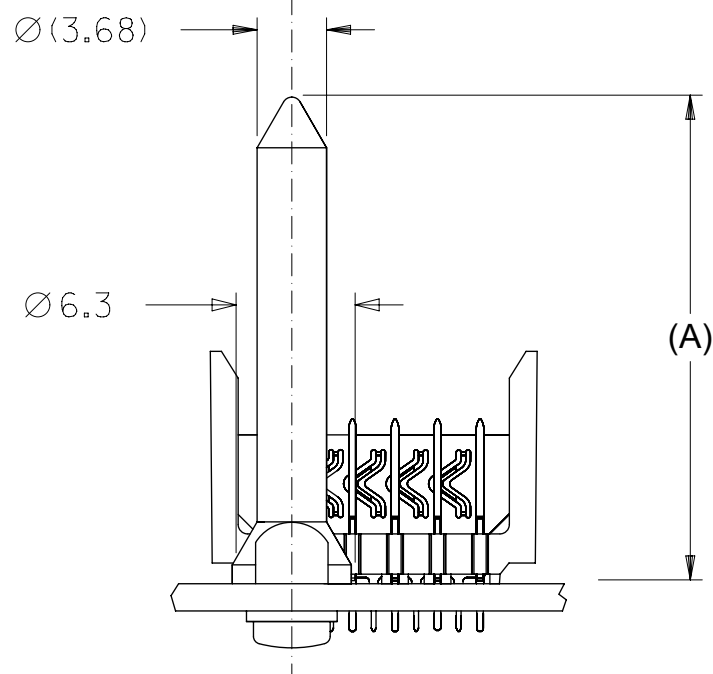


BACKPLANE HOLE PATTERN
FREE STAND GUIDE PIN

KIT NUMBER	DIM Z BOARD THICKNESS	DIM A
74076-0001	1.8-4.0	25.8
74076-0002	>4.0-9.00	25.8
74076-0005	1.8-4.0	19.9

NOTES:

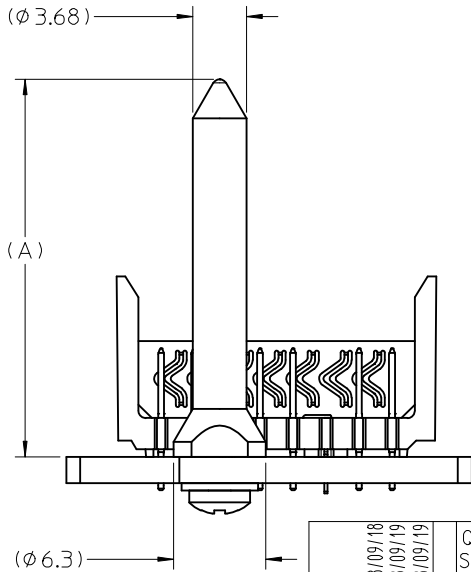
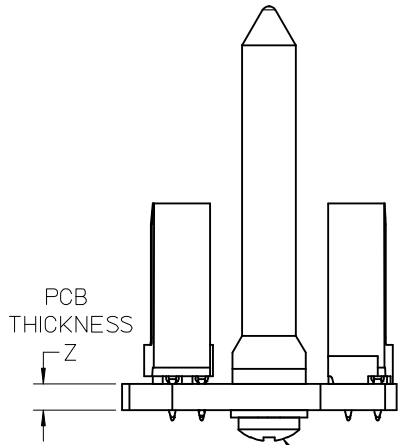
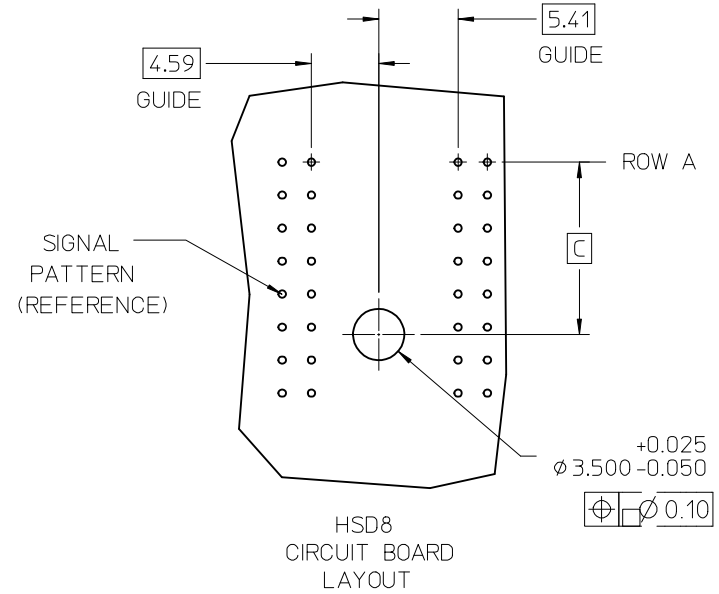
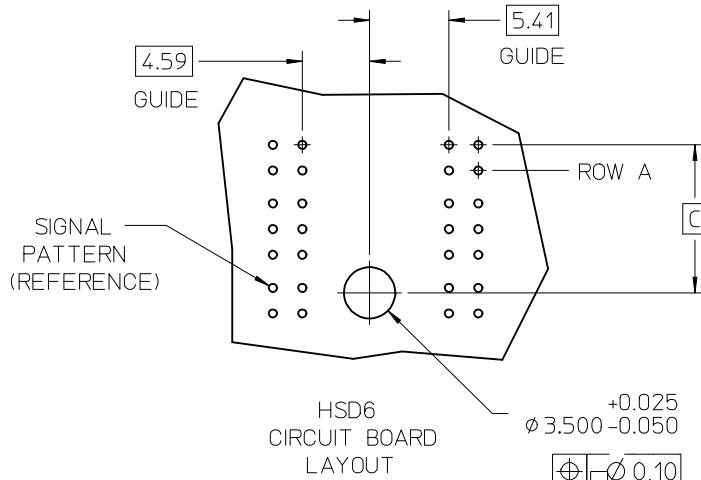
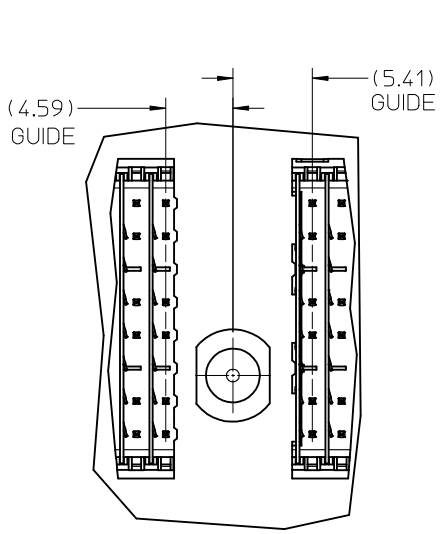
1. STANDARD BULK PACK, 500 PER BAG.
2. PACKAGE SCREWS AND GUIDE SEPARATE.
3. 74076-0010 STAND ALONE TO BE USED ONLY WITH GUIDE MODULE 74037-0036.



MATE WITH		DIM C
VHDM 6 ROW	GUIDE MODULE	9.96
	GROUND MODULE	9.26
	JOINER MODULE	9.26
VHDM 8 ROW	GUIDE MODULE	11.75
	GROUND MODULE	11.75
	JOINER MODULE	11.75

THIS DRAWING CONTAINS INFORMATION THAT IS PROPRIETARY TO MOLEX ELECTRONIC TECHNOLOGIES, LLC AND SHOULD NOT BE USED WITHOUT WRITTEN PERMISSION

DIMENSION UNITS mm	SCALE NTS	CURRENT REV DESC: OBSOLETE PART NUMBERS		molex		
GENERAL TOLERANCES (UNLESS SPECIFIED)		EC NO: 661197				
4 PLACES ±				PRODUCT CUSTOMER DRAWING		
3 PLACES ±				DOCUMENT NUMBER		
2 PLACES ± 0.1				SD-74076-002		
1 PLACE ± 0.15				DOC TYPE	DOC PART	REVISION
0 PLACES ±				PSD	001	D1
ANGULAR TOL ± 3.0°				SHEET NUMBER		
DRAFT WHERE APPLICABLE MUST REMAIN WITHIN DIMENSIONS	THIRD ANGLE PROJECTION	DRAWING	SERIES	MATERIAL NUMBER	CUSTOMER	1 OF 1
		B-SIZE	74076	SEE TABLE	GENERAL MARKET	



KIT NUMBER	DIM Z BOARD THICKNESS	DIM A
74076-0001	1.8 - 4.0	25.8
74076-0002	>4.0 - 9.0	25.8
74076-0005	1.8 - 4.0	19.9
74076-0006	>4.0 - 9.0	19.9

MATE WITH		DIM C
HSD 6	GUIDE MODULE	10.09
	GROUND MODULE	9.39
	JOINER MODUEL	9.39
HSD 8	GUIDE MODULE	11.75
	GROUND MODULE	11.75
	JOINER MODULE	11.75

- NOTES:
- PARTS TO BE BULK PACKED, 500 PER BAG.
 - SCREWS & GUIDE PINS PACKAGED SEPARATELY.

ADD PARTS EC NO: UCP2009-0672 DRWN: JBINGHAM CHKD: 2008/09/19 APPR: JLAURX 2008/09/19	QUALITY SYMBOLS	GENERAL TOLERANCES (UNLESS SPECIFIED)	DIMENSION STYLE	SCALE	DESIGN UNITS	THIRD ANGLE PROJECTION
	▽=0 ▽=0	mm INCH 4 PLACES ± --- ± --- 3 PLACES ± --- ± --- 2 PLACES ± 0.10 ± --- 1 PLACE ± 0.15 ± --- ANGULAR ± ---°	MM ONLY	3:1	METRIC	THIRD ANGLE PROJECTION
	DESCRIPTION	DRAFT WHERE APPLICABLE MUST REMAIN WITHIN DIMENSIONS	DRAWN BY DATE JBINGHAM 2007/03/28 CHECKED BY DATE SREED 2007/03/28 APPROVED BY DATE SREED 2007/03/28	TITLE	HSD BACKPLANE FREE STANDING GUIDE PIN SALES DRAWING	
	REV		MATERIAL NO.	SEE CHART	DOCUMENT NO.	MOLEX INCORPORATED SD-74076-005

DRAWN BY DATE JBINGHAM 2007/03/28 CHECKED BY DATE SREED 2007/03/28 APPROVED BY DATE SREED 2007/03/28	TITLE HSD BACKPLANE FREE STANDING GUIDE PIN SALES DRAWING
MATERIAL NO. SEE CHART	DOCUMENT NO. SD-74076-005
SHEET NO. 1 OF 1	THIS DRAWING CONTAINS INFORMATION THAT IS PROPRIETARY TO MOLEX INCORPORATED AND SHOULD NOT BE USED WITHOUT WRITTEN PERMISSION