

CTCDRH2D18/HPF Series

From 1.7µH to 47µH



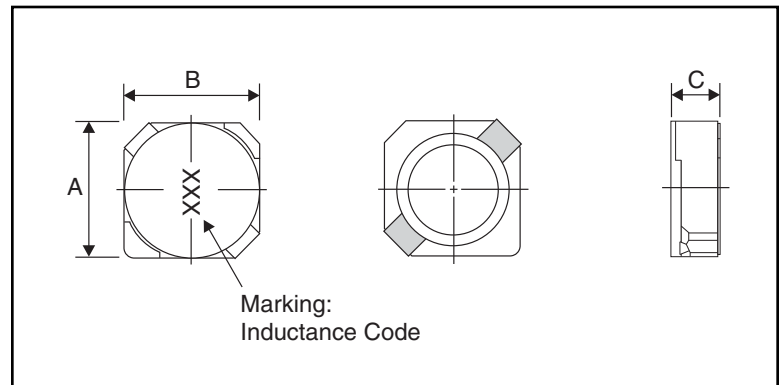
SPECIFICATIONS

Parts are available in ±30% inductance tolerance only.

Part Number	Inductance (µH)	Test Freq. (kHz)	DCR Max. (mΩ)	IDC (A)
CTCDRH2D18/HPF-1R7N	1.7	100	44	1.85
CTCDRH2D18/HPF-2R2N	2.2	100	60	1.60
CTCDRH2D18/HPF-3R3N	3.3	100	86	1.45
CTCDRH2D18/HPF-4R7N	4.7	100	140	1.20
CTCDRH2D18/HPF-6R3N	6.3	100	160	1.05
CTCDRH2D18/HPF-100N	10	100	245	0.85
CTCDRH2D18/HPF-150N	15	100	345	0.70
CTCDRH2D18/HPF-220N	22	100	611	0.57
CTCDRH2D18/HPF-330N	33	100	910	0.46
CTCDRH2D18/HPF-470N	47	100	1430	0.39

PHYSICAL DIMENSIONS

Size	A	B	C
	Max.	Max.	Max.
mm	3.2	3.2	2.0
inches	0.126	0.126	0.078



CHARACTERISTICS

Description: SMD (shielded) power inductor

Applications: Power supplies for OA equipment, LCD televisions, PC notebooks, portable communication equipment, DC/DC converters, etc.

Operating Temperature: -40° to +85°C

IDC: The current when the inductance becomes 35% lower than its normal value. (Ta=20°C)

Inductance Tolerance: ±30%

Testing: Tested on an HP4285A at 100kHz

Packaging: Tape & Reel

Marking: Parts are marked with inductance code

Miscellaneous: RoHS Compliant.

Additional Information: Additional electrical & physical information available upon request

Samples available. See website for ordering information.

PAD LAYOUT

