

CTSLF0645TF Series

From 2.2 μ H to 15 μ H



CHARACTERISTICS

- Description:** SMD (shielded) power inductor.
- Applications:** LCD-TVs, PDP-TVs, LCD displays, DVD recorders, HDDs, DSCs, etc.
- Operating Temperature:** -40°C to 125°C (including self - temp. rise)
- Inductance Tolerance:** M = $\pm 20\%$, N = +40%, -20%
- Testing:** Inductance is tested on a HP4284A at 100kHz, 1V
- Isat:** Inductance drop = 10% typical.
- Packaging:** Tape & Reel.
- Marking:** Parts are marked with inductance code.
- Miscellaneous:** **RoHS Compliant.**
- Additional Information:** Additional electrical & physical information available upon request.
- Samples available. See website for ordering information.**

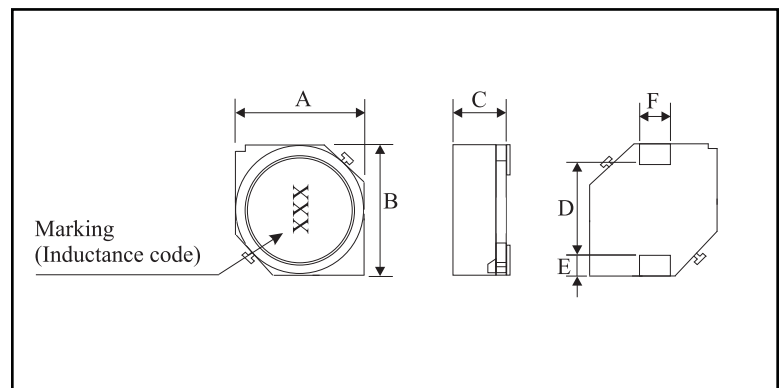
SPECIFICATIONS

Please specify tolerance code when ordering.
CTSLF0645TF-2R2_ ← M = $\pm 20\%$, N = +40%, -20%

Part Number	Inductance (μ H)	L Test Freq. (kHz)	DCR (m Ω)	Isat Typ. (A)
CTSLF0645TF-2R2_	2.2	100	18 $\pm 30\%$	3.3
CTSLF0645TF-3R3_	3.3	100	26 $\pm 30\%$	2.8
CTSLF0645TF-4R7_	4.7	100	26.5 $\pm 30\%$	2.0
CTSLF0645TF-100_	10	100	39 $\pm 20\%$	1.6
CTSLF0645TF-150_	15	100	50 $\pm 20\%$	1.3

PHYSICAL DIMENSIONS

Size	A	B	C	D Typ.	E	F Typ.
mm	6.0 ± 0.2	6.0 ± 0.2	4.5 ± 0.3	1.5	2.0 ± 0.10	3.0
inches	0.236 ± 0.008	0.236 ± 0.008	0.177 ± 0.012	0.059	0.079 ± 0.004	0.118



PAD LAYOUT

