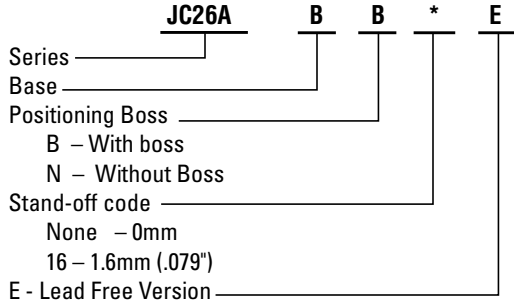


# JC26C2 SERIES CONNECTORS

1.27mm (.050") Contact Spacing, Connectors for Compact Flash Type I/II

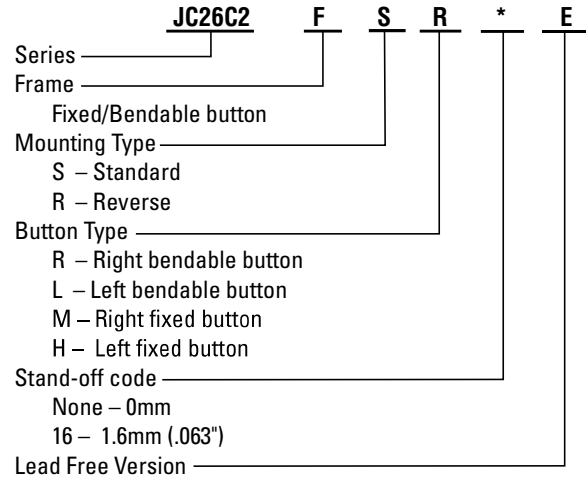
## JC26A ORDERING INFORMATION

### • Base

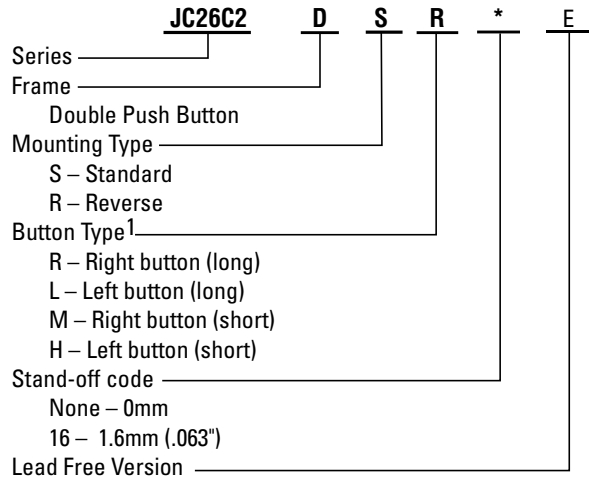


## JC26C2 ORDERING INFORMATION

### • Frame (Fixed/Bendable Eject Button)



### • Frame (Double Push Button)



Note: Total length of button (from bottom side of card to top of button). Long: 37.9mm, Short 36.9mm