



### ■ Features :

- DC/DC step-down converter
- Constant current output: 350mA to 1400mA
- Wide input voltage: 6 ~ 50VDC  
Wide output LED string voltage: 3 ~ 45VDC
- High efficiency up to 95%
- Built-in EMI filter, comply with BS EN/EN55015 without additional input filter and capacitors
- Built-in PWM and remote ON/OFF control(pin style only, wire style optional)
- Protections: Short circuit
- Cooling by free air convection
- Fully encapsulated with IP65 level
- Compact size
- Suitable for driving illumination LED
- 3 years warranty

### ■ GTIN CODE

 MW Search: <https://www.meanwell.com/serviceGTIN.aspx>

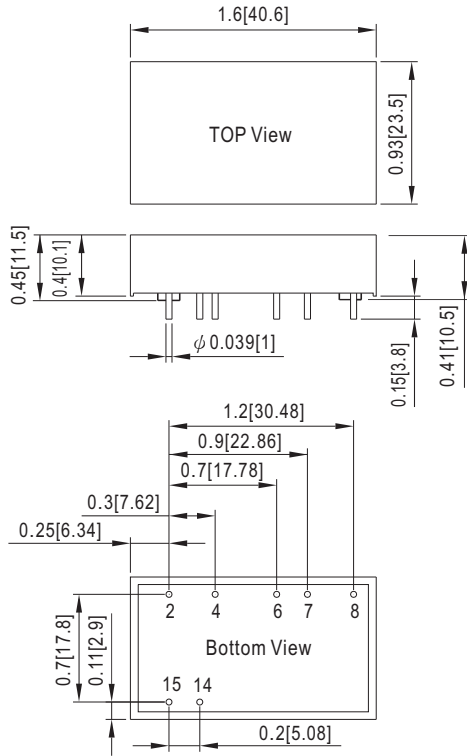

LDD-350H-	<input type="checkbox"/> W	DA	Blank : pin style
	<input type="checkbox"/> W		: wire style

### SPECIFICATION

ORDER NO.	LDD-350H- <input type="checkbox"/> DA	LDD-700H- <input type="checkbox"/> DA	LDD-1050H- <input type="checkbox"/> DA	LDD-1400H- <input type="checkbox"/> DA		
OUTPUT	CURRENT RANGE	350mA	700mA	1050mA		
	VOLTAGE RANGE <small>Note.4</small>	3 ~ 45VDC				
	CURRENT ACCURACY (Typ.)	±5% at 48VDC input				
	RIPPLE & NOISE(max.) <small>Note.2</small>	300mVp-p	500mVp-p	500mVp-p	500mVp-p	
	SWITCHING FREQUENCY (Typ.)	500KHz				
	EXTERNAL CAPACITANCE LOAD (max.)	1400uF				
INPUT	VOLTAGE RANGE	6 ~ 50VDC			6 ~ 40VDC	
	EFFICIENCY (max.)	95% at full load and 48VDC input				
	DC CURRENT	Full load <small>Note.3</small>	275mA	550mA	825mA	1280mA
		No load	5mA			
FILTER	Capacitor					
PWM DIMMING & ON/OFF CONTROL (PIN STYLE ONLY)	REMOTE ON/OFF	Leave open if not use				
		Power ON with dimming: DIM ~ -Vin >1.2 ~ 5VDC or open circuit, max. operation voltage 5.5VDC				
		Power OFF : DIM ~ -Vin < 0.1VDC or short				
	PWM FREQUENCY	200Hz only				
QUIESCENT INPUT CURRENT IN SHUTDOWN MODE(max.)	1mA at PWM dimming OFF and 24VDC input					
PROTECTION	SHORT CIRCUIT	Regulated at rated output current Protection type: Can be continued, recovers automatically after fault condition is removed				
	INPUT VOLTAGE LOCKOUT	Start up	4.2VDC			
		Shut-down	3.8VDC			
ENVIRONMENT	WORKING TEMP.	-40 ~ + 85°C (Refer to derating curve)				
	WORKING HUMIDITY	20% ~ 90% RH non-condensing				
	STORAGE TEMP., HUMIDITY	-55 ~ +125°C, 10 ~ 95% RH non-condensing				
	TEMP. COEFFICIENT	±0.03% / °C				
	VIBRATION	10 ~ 500Hz, 2G 10min./1 cycle, period for 60min. each along X, Y, Z axes				
	OPERATING CASE TEMP. (max.)	100°C				
EMC	SAFETY STANDARDS	EAC TP TC 020/2011 approved				
	EMC EMISSION	Compliance to BS EN/EN55015, EAC TP TC 020				
	EMC IMMUNITY	Compliance to BS EN/EN61547, EN61000-4-2,3,4,6,8, light industry level, criteria A, EAC TP TC 020				
OTHERS	MTBF	1000Khrs min. MIL-HDBK-217F (25°C)				
	DIMENSION	40.6*23.5*10.1mm or 1.6**0.93**0.40" inch (L*W*H)				
	PACKING	LDD-H-DA: 18g ; 12pcs/per tube, 336pcs/28 tube/per carton LDD-H-WDA:23g ; 8pcs/Box, 240pcs/30 Box/per carton				
	POTTING MATERIAL	Epoxy(UL94-V0)				
NOTE	1.All parameters are specified at normal input(48VDC), rated load, 25°C 70% RH ambient. 2.Ripple & noise are measured at 20MHz by using a 12" twisted pair terminated with a 0.1uf capacitor. 3.Test condition: 48VDC input for 350~1050mA, 28VDC input for 1400mA. 4.Output voltage will always step down by 3 volts from input DC voltage. 5.The output of LDD-H should not be connected to the input of the same unit or output from other sources. ※ Product Liability Disclaimer : For detailed information, please refer to <a href="https://www.meanwell.com/serviceDisclaimer.aspx">https://www.meanwell.com/serviceDisclaimer.aspx</a>					

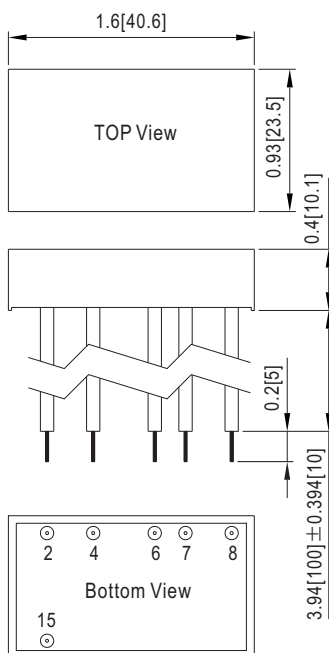
### Mechanical Specification

◎ Pin style(LDD- 350H~1400H – DA):



NOTE: Pin tolerance  $\pm 0.05\text{mm}$

◎ Wire style(LDD – 350H~1400H-WDA):



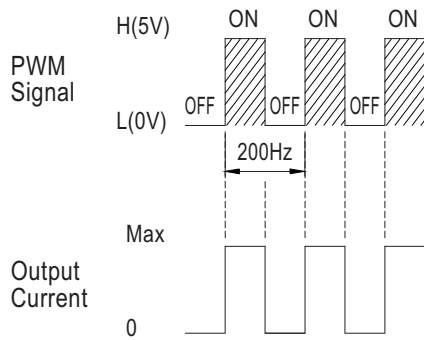
NOTE: Wire is 24AWG

### Pin Configuration

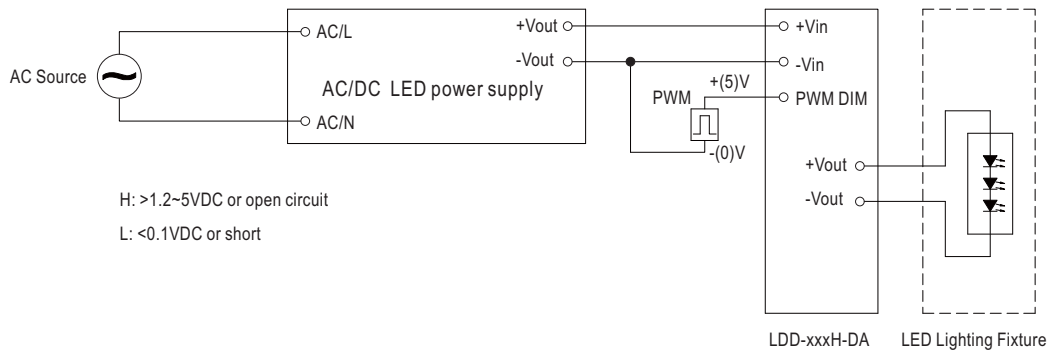
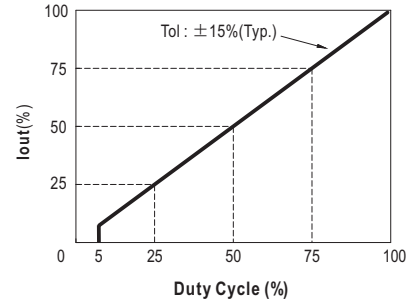
Pin No.		Comment
2	+Vin	DC supply
4	+Vout	LED+ connection
6	-Vout	LED- connection
7	DA	Connect to DALI Controller
8	DA	
14	PWM DIM	PWM Dimming
15	-Vin	DC supply, Don't connect to -Vout

Pin No.		Comment
2	+Vin (Red)	DC supply
4	+Vout (Yellow)	LED+ connection
6	-Vout (Blue)	LED- connection
7	DA (Brown)	Connect to DALI Controller
8	DA (Brown)	
15	-Vin (Black)	DC supply, Don't connect to -Vout

■ PWM Dimming Control & Diagram(pin style only, wire style optional)



⊙ During PWM dimming operation, the output current will change to PWM style.



## ■ Efficiency VS Output Voltage(NumberOf LEDs)

Fig-1 12VDC input, 1~3 LEDs(Vf=3V)

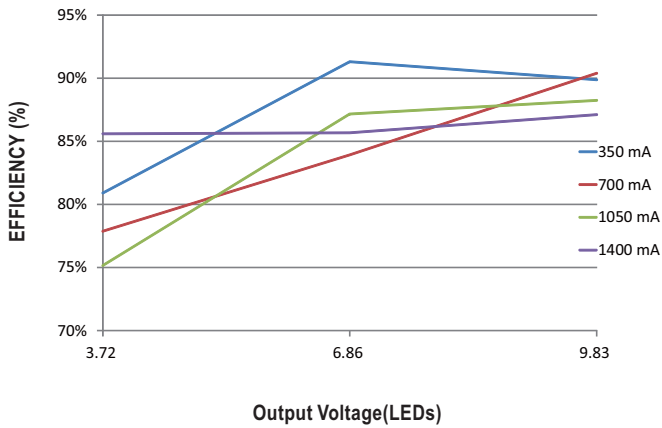


Fig-2 24VDC input, 1~7 LEDs(Vf=3V)

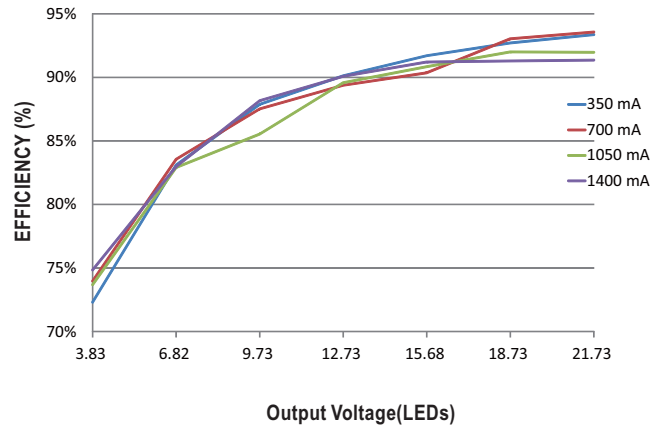


Fig-3 36VDC input, 1~11 LEDs(Vf=3V)

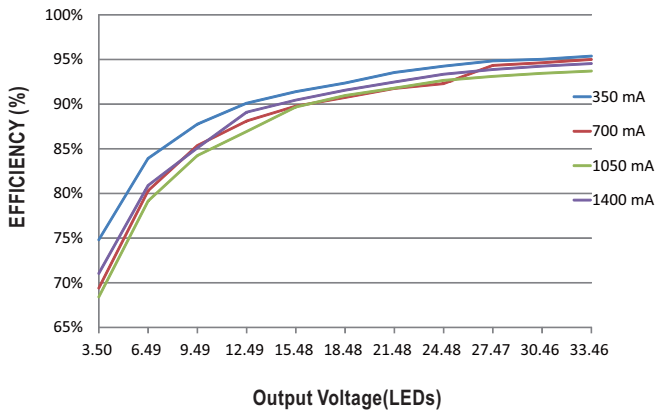
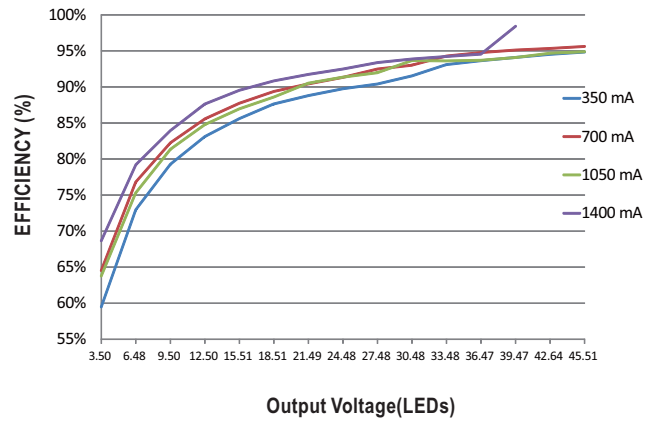
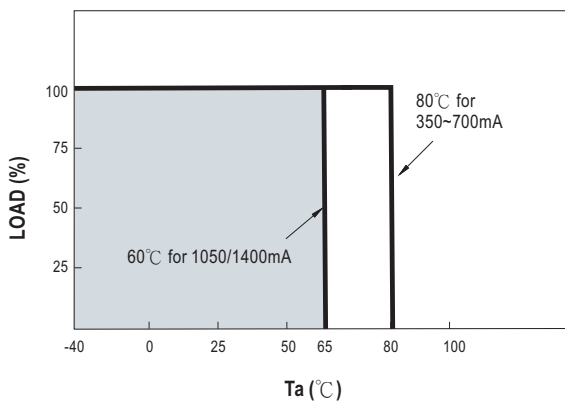


Fig-4 48VDC input, 1~15 LEDs(Vf=3V)

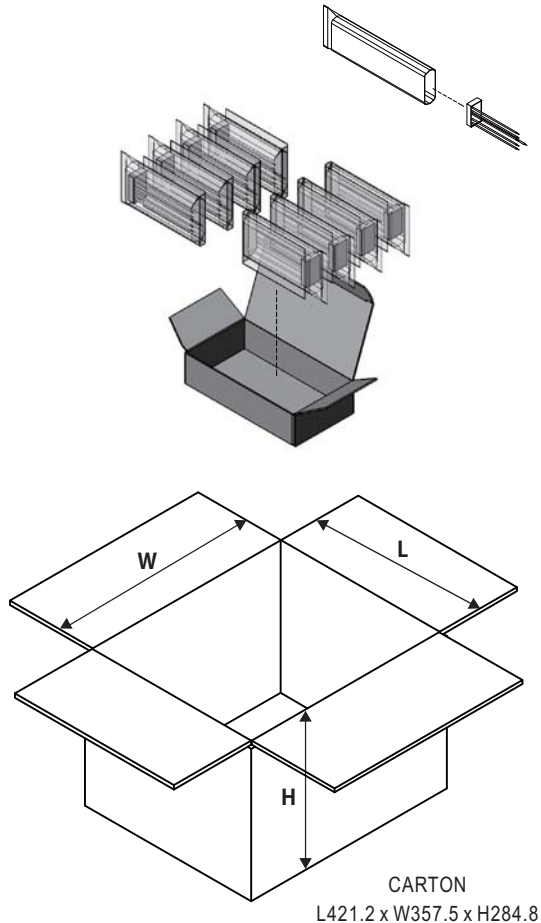


## ■ Derating Curve



**Packing**

Standard Tube Packing	LDD-H-DA			
	MPQ Per Tube (PCS)	One Tube G.W.	Max. Q'TY/ Carton(PCS)	One Carton G.W.
<p>Unit : mm</p> <p>Tube Nails</p> <p>Product</p> <p>Foam</p> <p>535</p> <p>26.5</p> <p>10.9</p> <p>1.8</p> <p>Tube pattern</p> <p>W</p> <p>H</p> <p>L</p> <p>CARTON L590.9 x W148.5 x H193.9</p>	12	308g	336	10.63Kg

Standard Packing	LDD-H-WDA			
	MPQ Per Box (PCS)	One Box G.W.	Max. Q'TY/ Carton(PCS)	One Carton G.W.
<p>Unit : mm</p>  <p>CARTON L421.2 x W357.5 x H284.8</p>	8	205g	240	8.15Kg

■ Installation Manual

Please refer to : <http://www.meanwell.com/manual.html>