

**NOTES**

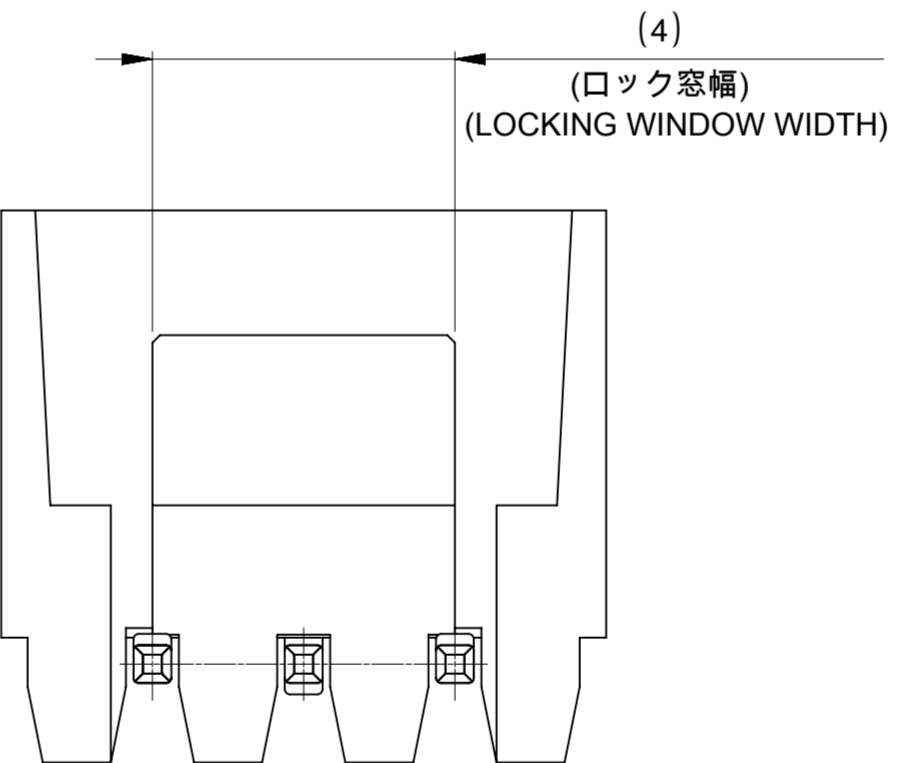
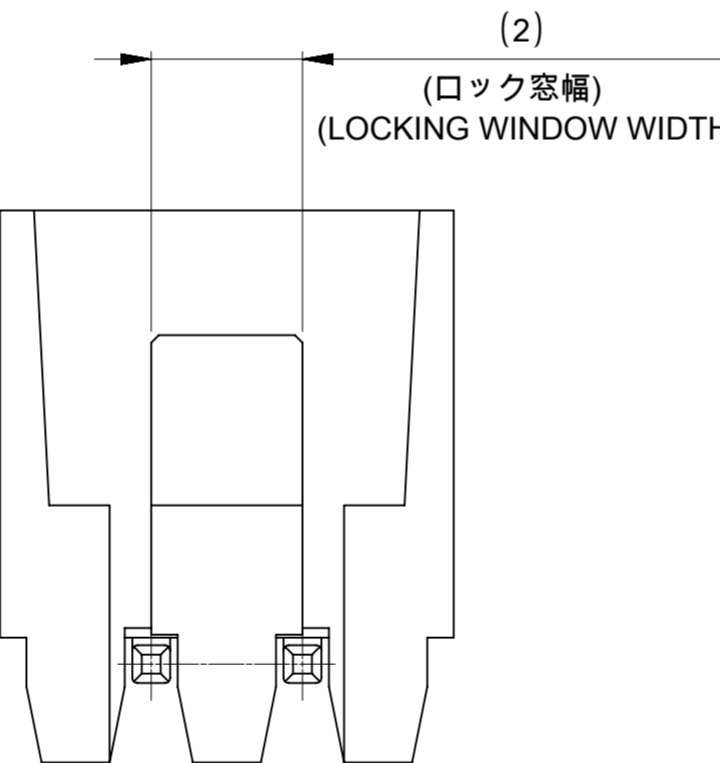
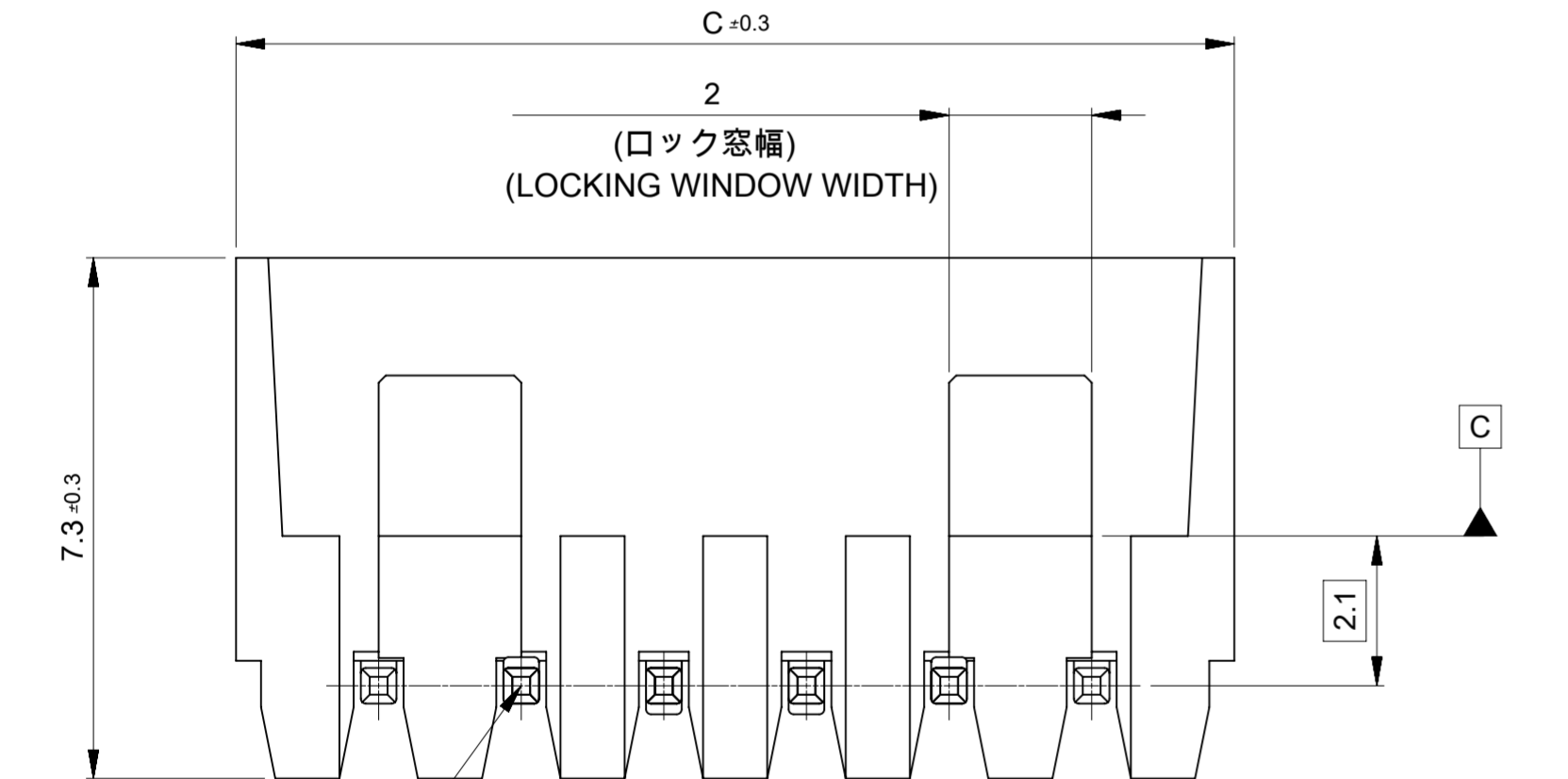
① 材料及び仕上げ (めっき仕様) : TABLE 1参照  
 MATERIAL AND FINISHES: SEE TABLE 1

② 適用製品及び各種仕様書はSHEET 2をご参考ください  
 PLEASE REFER TO SHEET 2 FOR APPLICABLE PRODUCTS AND VARIOUS SPECIFICATIONS.

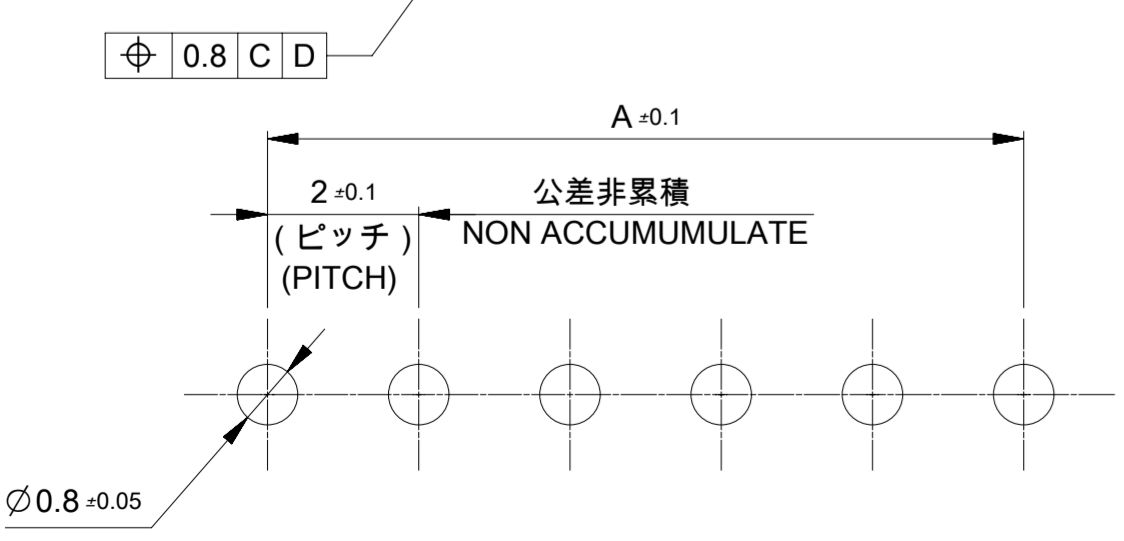
③ キルクは下記表の位置及び形状に付加のこと。2極はキルク無し。  
 KINK TO BE APPLIED AS FOLLOWS, 2 CIRCUIT HAS NO KINK.

極数 CKT	回路番号 CIRCUIT NO							
	1	2	3	4	5	N-2	N-1	N
6極以上 MORE THAN 6 CKT	-	(A)	(B)	-	-	(B)	(A)	-
5極 5CKT	(A)	(B)	-	(B)	(A)			
4極 4CKT	(A)	(B)	(B)	(A)				
3極 3CKT	(A)	(B)	(A)					

④ PART-PCB間の実装には極性がありません。  
 極数番号は記載していません。  
 PART-TO-PCB MOUNTING IS NOT POLARIZED:  
 NO CIRCUIT NUMBERING IS REQUIRED.



32	31.1	28	532541570	15
30	29.1	26	532541470	14
28	27.1	24	532541370	13
26	25.1	22	532541270	12
24	23.1	20	532541170	11
22	21.1	18	532541070	10
20	19.1	16	532540970	9
18	17.1	14	532540870	8
16	15.1	12	532540770	7
14	13.1	10	532540670	6
12	11.1	8	532540570	5
10	9.1	6	532540470	4
8	7.1	4	532540370	3
6	5.1	2	532540270	2
C	B	A	トレー TRAY	極数 CKT
			材料番号 MATERIAL NO	



① TABLE 1

NO	部品 PART	材質 MATERIAL
①	ハウジング HOUSING	ポリアミド(PA)、UL94V-0、色: ナチュラル (ベージュ) POLYAMIDE(PA), UL94V-0, COLOR: NATURAL (BEIGE)
②	ターミナル TERMINAL	黄銅 BRASS
		下地めっき UNDER PLATING: ニッケルめっき : 0.5 micro-meters MIN NICKEL PLATING: 0.5 micro-meters MIN
	めっき PLATING	錫めっき : 1.0 micro-meter MIN リフロー処理 (前めっき) MATTE TIN: 1.0 micro-meter MIN REFLOW TREATMENT (PRE-PLATING)

THIS DRAWING CONTAINS INFORMATION THAT IS PROPRIETARY TO MOLEX ELECTRONIC TECHNOLOGIES, LLC AND SHOULD NOT BE USED WITHOUT WRITTEN PERMISSION

DIMENSION UNITS: mm SCALE: NTS

GENERAL TOLERANCES (UNLESS SPECIFIED): ANGULAR TOL ± 3.0°

CURRENT REV DESC: REDRAWN AND REVISED

EC NO: 636761  
 DRWN: HHUSSIN 2019/10/21  
 CHK'D: SAKIYAMA 2020/04/30  
 APPR: KOMURAKAMI 2020/05/01

4 PLACES ± 0.2  
 3 PLACES ± 0.2  
 2 PLACES ± 0.2  
 1 PLACE ± 0.2  
 0 PLACES ± 0.2

INITIAL REVISION: DRWN: HHUSSIN 2019/10/21  
 APPR: KOMURAKAMI 2020/05/01

DRAFT WHERE APPLICABLE MUST REMAIN WITHIN DIMENSIONS

THIRD ANGLE PROJECTION

DRAWING: A2-SIZE

SERIES: 53254

**molex**

MICRO-LATCH 2.0 RA  
 RIGHT-ANGLE HEADER ASSY

PRODUCT CUSTOMER DRAWING

DOCUMENT NUMBER: 532540000-SD  
 DOC TYPE: PSD  
 DOC PART: 000  
 REVISION: A

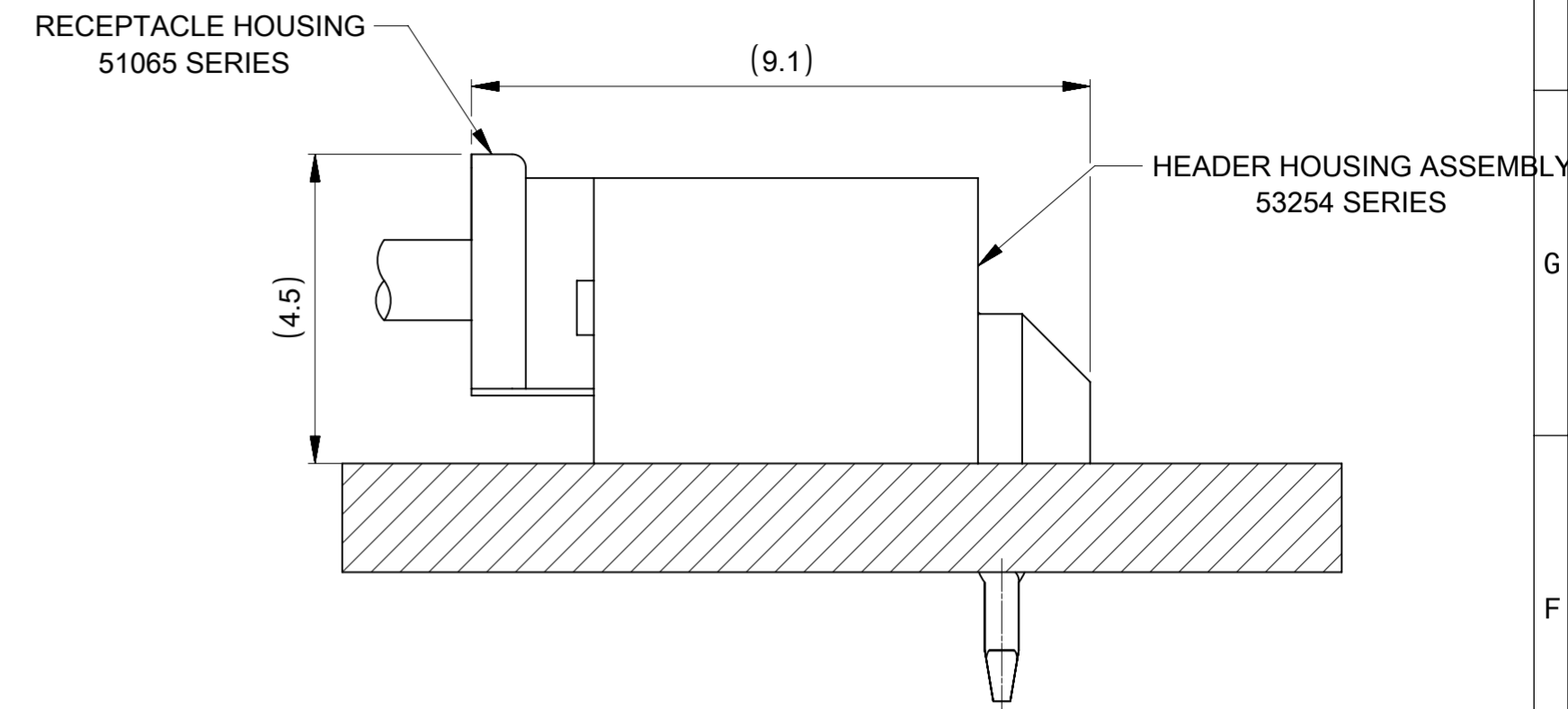
MATERIAL NUMBER: GENERAL  
 CUSTOMER: GENERAL  
 SHEET NUMBER: 1 OF 2

△ 適用製品及び各種仕様書  
 APPLICABLE PRODUCTS AND VARIOUS SPECIFICATIONS

梱包仕様書 PACKING SPECIFICATION	PART NUMBER	SPECIFICATION NUMBER
	53254**70	532549200-SPK

適用ハウジング APPLICABLE HOUSING	SINGLE TYPE
シリーズ番号 SERIES NO	51065
製品仕様書 PRODUCT SPECIFICATION	510650000-PS/PS/000

適用端子 APPLICABLE TERMINAL	PART NUMBER	PLATING TYPE	WIRE SIZE (AWG)
	502128*00	TIN	#24-30
	503728*00		#22-26



51065シリーズ/53254シリーズ 嵌合状態図 参考  
 51065 SERIES/ 53254 SERIES MATED DRAWING (REF)

THIS DRAWING CONTAINS INFORMATION THAT IS PROPRIETARY TO MOLEX ELECTRONIC TECHNOLOGIES, LLC AND SHOULD NOT BE USED WITHOUT WRITTEN PERMISSION										
DIMENSION UNITS	SCALE	CURRENT REV DESC: REDRAWN AND REVISED				<b>molex</b>				
mm	NTS									
GENERAL TOLERANCES (UNLESS SPECIFIED)						MICRO-LATCH 2.0 RA RIGHT-ANGLE HEADER ASSY				
ANGULAR TOL	± 3.0°					PRODUCT CUSTOMER DRAWING				
4 PLACES	± 0.2	EC NO: 636761								
3 PLACES	± 0.2	DRWN: HHUSSIN	2019/10/21							
2 PLACES	± 0.2	CHK'D: SAKIYAMA	2020/04/30							
1 PLACE	± 0.2	APPR: KOMURAKAMI	2020/05/01							
0 PLACES	± 0.2	INITIAL REVISION:				DOCUMENT NUMBER		DOC TYPE	DOC PART	REVISION
DRAFT WHERE APPLICABLE MUST REMAIN WITHIN DIMENSIONS		THIRD ANGLE PROJECTION	DRAWING	SERIES	MATERIAL NUMBER	CUSTOMER	SHEET NUMBER			
			A2-SIZE	53254	532540000-SD	GENERAL			000	A
DOCUMENT STATUS		P1	RELEASE DATE	2020/05/01	01:51:29					