

CTSDB0705F Series

From 10µH to 220µH



SPECIFICATIONS

Parts are only available in ±20% inductance tolerance

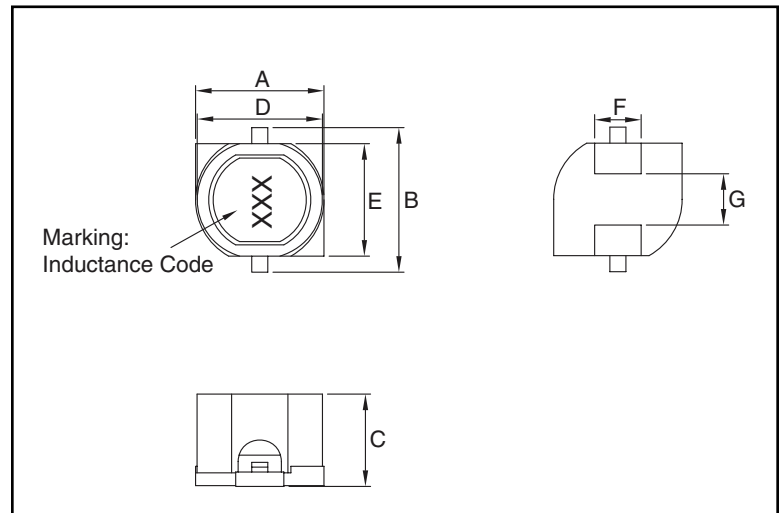
Part Number	Inductance (µH)	L Test Freq. (kHz)	DCR Max. (Ω)	Rated DC (A)
CTSDB0705F-100M	10	1.0	0.05	1.60
CTSDB0705F-120M	12	1.0	0.06	1.50
CTSDB0705F-150M	15	1.0	0.07	1.40
CTSDB0705F-180M	18	1.0	0.08	1.30
CTSDB0705F-220M	22	1.0	0.10	1.10
CTSDB0705F-270M	27	1.0	0.10	1.00
CTSDB0705F-330M	33	1.0	0.15	0.92
CTSDB0705F-390M	39	1.0	0.15	0.84
CTSDB0705F-470M	47	1.0	0.20	0.76
CTSDB0705F-560M	56	1.0	0.25	0.68
CTSDB0705F-680M	68	1.0	0.30	0.63
CTSDB0705F-820M	82	1.0	0.30	0.58
CTSDB0705F-101M	100	1.0	0.40	0.50
CTSDB0705F-121M	120	1.0	0.45	0.46
CTSDB0705F-151M	150	1.0	0.55	0.40
CTSDB0705F-181M	180	1.0	0.70	0.38
CTSDB0705F-221M	220	1.0	0.75	0.36

CHARACTERISTICS

- Description:** SMD (shielded) power inductor
- Applications:** Switching power supplies. RFI/EMC filtering
- Operating Temperature:** -25°C to +75°C
- Storage Temperature:** -40°C to +125°C
- Inductance Tolerance:** ±20%
- Testing:** Inductance is tested on a HP4284A at 1kHz
- Packaging:** Tape & Reel
- Marking:** Marked with inductance code
- Rated DC:** Based on temperature rise & ΔL / L0A = 10% typ.
- Miscellaneous:** RoHS Compliant
- Additional Information:** Additional electrical & physical information available upon request
- Samples available. See website for ordering information.**

PHYSICAL DIMENSIONS

Size	A	B	C	D	E	F	G
		Max.		Ref.	Ref.		
mm	8.0±0.3	10.5	5.7±0.3	7.8	7.0	3.0±0.2	3.7±0.3
inches	0.32±0.012	0.41	0.22±0.012	0.31	0.28	0.12±0.008	0.15±0.012



PAD LAYOUT

