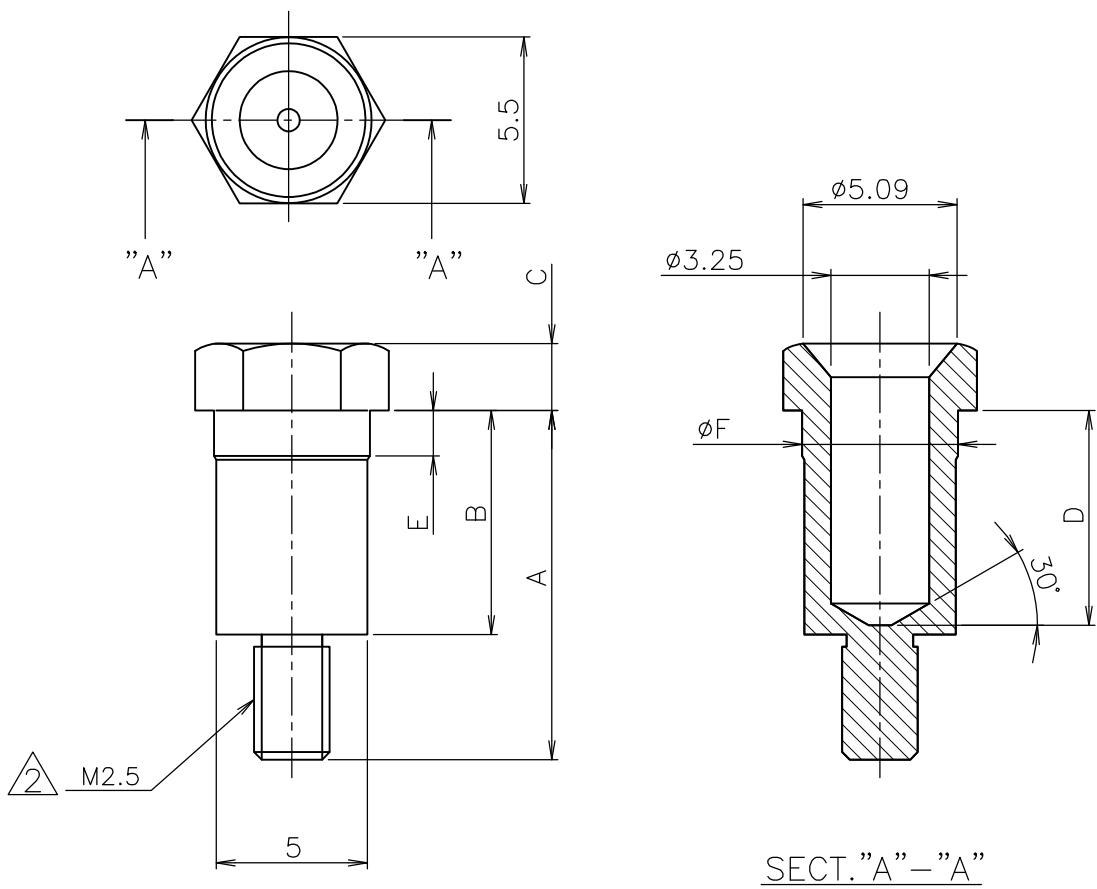


LOC J	DIST	REVISIONS 変更					
		P	LTR	DESCRIPTION	DATE	DWN	APVD
			C	REVISED&REDRAWN FJ00-2475-02	02DEC'02	S.A	Y.Y
			C1	REVISED PER ECO-09-024717	04NOV09	KK	AEG



- 注記
- 材料及び仕上：黄銅、ニッケルメッキ
 - ねじ部先端を除き、ゆるみ止め材料塗布

NOTE (ロックタイト DRI-LOC 202, 203 相当)

- MATERIAL AND FINISH : BRASS, Ni PLATE
- THREAD LOCKING MATERIAL APPLIED EXCEPT FOR THREAD TIP AREA. (EQUIVALENT LOCTITE DRI-COC 202,203)
- OBSELETE PARTS: OBSELETE CIS STREAMLINING PER D.RENAUD/D.SINISI

	5.15	1.5	6.3	3.02	6.6	10.74	5-177728-1	3
MAKE FROM -2	5.15	1.5	6.3	3.02	6.6	10.74	2-177728-2	3
	5.15	1.5	6.3	3.02	6.6	10.74	177728-2	
	5.15	1.5	7.1	2.22	7.4	11.54	177728-1	
REMARKS	F	E	D	C	B	A	P/N	

THIS DRAWING IS UNPUBLISHED. COPYRIGHT 1993 BY TYCO ELECTRONICS CORPORATION. ALL RIGHTS RESERVED.

DIMENSIONS: 単位： 耗 MM	DWN S.ABE	29NOV2002	MATERIAL 材料	SEE NOTE	FINISH 仕上	SEE NOTE	
	CHK Y.YAMAMOTO	02DEC2002	Tyco Electronics AMP K.K. Kawasaki, Japan				
TOLERANCES UNLESS OTHERWISE SPECIFIED: 一般公差	APVD Y.YAMAMOTO	02DEC2002					
0 PLC ± 0.25 1 PLC ± 0.25 2 PLC ± 0.25 3 PLC ± 4 PLC ± ANGLES ± 3°	PRODUCT SPEC 製品規格	NAME 名称	GUIDE SOCKET FOR AMP DOCKING CONNECTOR				
	APPLICATION SPEC 取付適用規格	SIZE	CAGE CODE	DRAWING NO 番号	RESTRICTED TO		
	WEIGHT	A4	00779	C-177728	-		
CUSTOMER DRAWING			SCALE 尺度	4:1	SHEET	1 OF 1	REV C1