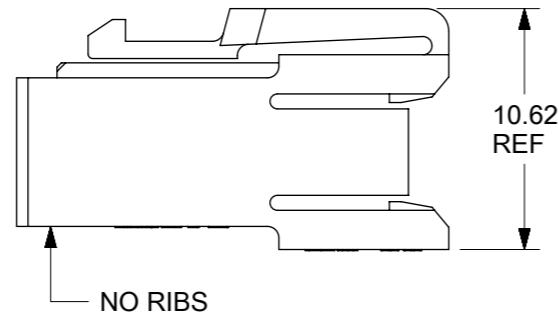
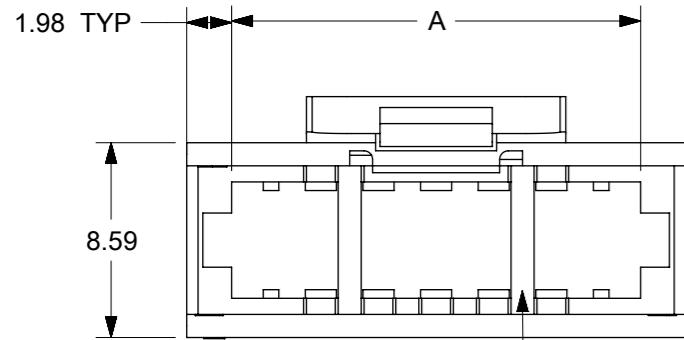
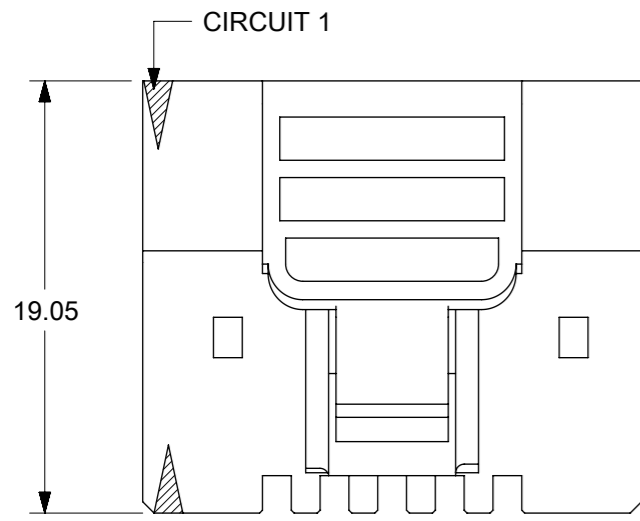


HOUSINGS OPTIONS WITHOUT RIBS

HOUSING TO INTERIM CLIP RETENTION	HOUSING OPTION	SPRING CLIP 71809
STANDARD	A	NO
MEDIUM	C	NO
HIGH	A AND C	YES

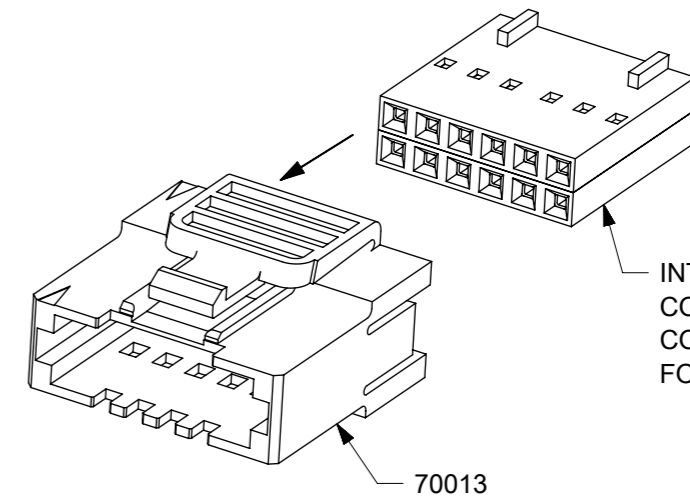
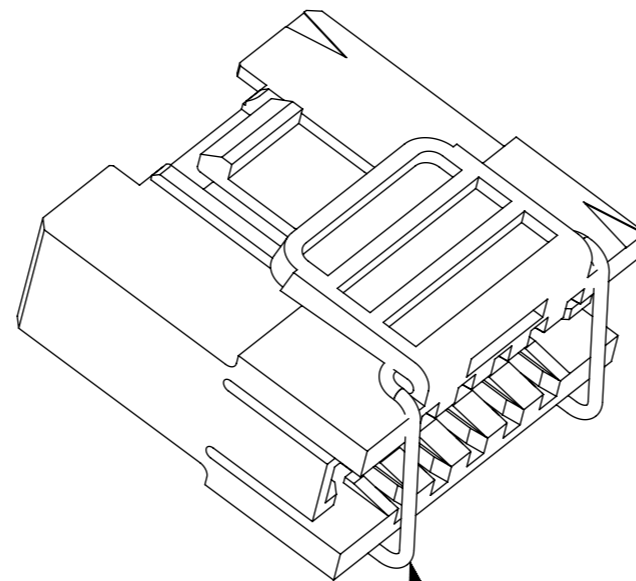
CKTS	DIM A	OPTION A		OPTION C
		MATERIAL NO	ENG NO	MATERIAL NO:
6	7.87	15045061	70013-0006	NA
8	10.41	15045081	70013-0008	NA
10	12.95	15045101	70013-0010	NA
12	15.49	15045121	70013-0012	NA
14	18.03	15045141	70013-0014	NA
16	20.57	15045161	70013-0016	NA
18	23.11	15045181	70013-0018	NA
20	25.65	15045201	70013-0020	70013-2020
22	28.19	15045221	70013-0022	70013-2022
24	30.73	15045241	70013-0024	70013-2024
26	33.27	15045261	70013-0026	70013-2026
28	35.81	15045281	70013-0028	70013-2028
30	38.35	15045301	70013-0030	70013-2030
32	40.89	15045321	70013-0032	70013-2032
34	43.43	15045341	70013-0034	70013-2034
36	45.97	15045361	70013-0036	70013-2036
38	48.51	15045381	70013-0038	70013-2038
40	51.05	15045401	70013-0040	70013-2040
42	53.59	15045421	70013-0042	70013-2042
44	56.13	15045441	70013-0044	70013-2044
46	58.67	15045461	70013-0046	70013-2046
48	61.21	15045481	70013-0048	70013-2048
50	63.75	15045501	70013-0050	70013-2050



SUPPORT BEAMS PRESENT ON 14-50 CIRCUIT PARTS

NOTES:

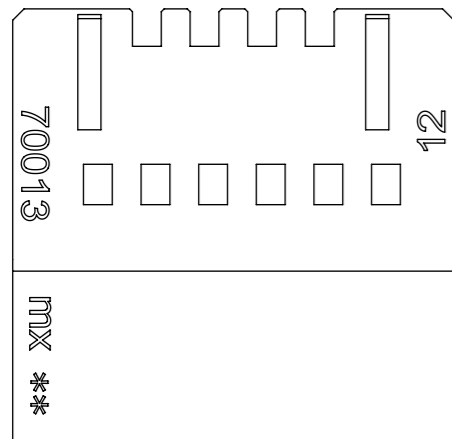
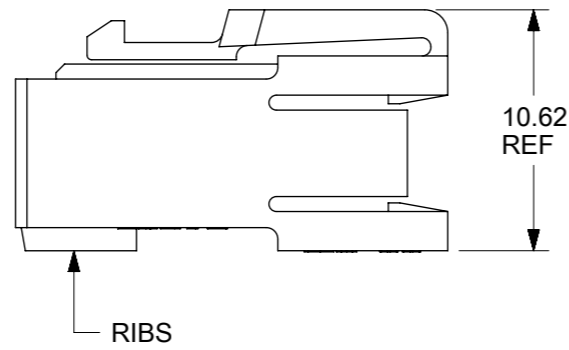
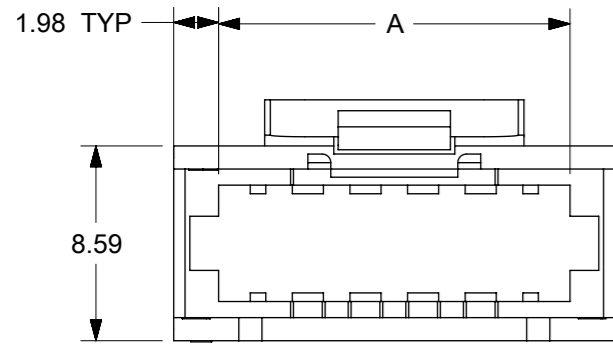
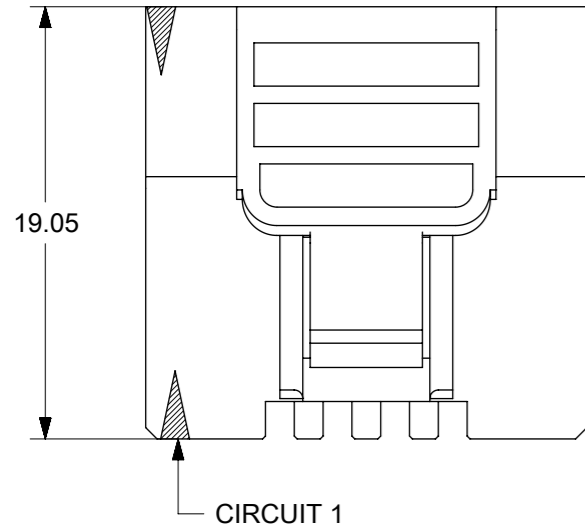
1. MATERIAL: POLYESTER, 94V-0, BLACK
2. PRODUCT SPECIFICATION:
3. PACKAGING SPECIFICATION: 700130000-PK
4. OPTIONAL SPRING CLIP: 71809 (ORDERED SEPARATELY) RECOMMENDED ON 20-50 CKT PARTS WHEN USING DISCRETE WIRE FOR HIGH RETENTION FORCE
5. INTERIM CLIP ACCEPTS:
 - TWO 70066 SINGLE ROW CRIMP HOUSINGS
 - TWO 70400 SINGLE ROW IDT ASSEMBLIES
 - TWO 70430 SINGLE ROW FFC ASSEMBLIES
 - ONE 70450 DUAL ROW CRIMP HOUSING
6. MATES WITH:
 - OPTION A: HOUSINGS WITHOUT RIBS
 - 70567 CGRID DUAL ROW VERTICAL HEADER OPTION B
 - 74162 CGRID DUAL ROW RIGHT ANGLE HEADER OPTION B
 - 70022 DUAL ROW PANEL MOUNT CLIP
 - OPTION B: HOUSINGS WITH RIBS
 - 70567 CGRID DUAL ROW VERTICAL HEADER OPTION C
 - 74162 CGRID DUAL ROW RIGHT ANGLE HEADER OPTION C
 - 70568 CGRID DUAL ROW VERTICAL HEADER
 - 70229 CGRID DUAL ROW RIGHT ANGLE HEADER
 - 70022 DUAL ROW PANEL MOUNT CLIP



SYMBOLS	THIS DRAWING CONTAINS INFORMATION THAT IS PROPRIETARY TO MOLEX ELECTRONIC TECHNOLOGIES, LLC AND SHOULD NOT BE USED WITHOUT WRITTEN PERMISSION		CURRENT REV DESC:		molex
	▽ = 0	mm	SCALE	3:1	
▽ = 0	GENERAL TOLERANCES (UNLESS SPECIFIED)		EC NO: 635923		SL DUAL ROW INTERIM CLIP
▽ = 0	ANGULAR TOL ± °		DRWN: SMAHAJANSHET 2020/04/15		
▽ = 0	4 PLACES	±	CHK'D: NCSR 2020/04/15		PRODUCT CUSTOMER DRAWING
▽ = 0	3 PLACES	±	APPR: NCSR 2020/04/15		
▽ = 0	2 PLACES	± 0.25	INITIAL REVISION:		DOCUMENT NUMBER
▽ = 0	1 PLACE	± 0.38	DRWN: KSAMIEC 2017/07/10		
▽ = 0	0 PLACES	± 0.0	APPR: FSMITH 2017/07/18		700130000-SD
□ = 0	DRAFT WHERE APPLICABLE MUST REMAIN WITHIN DIMENSIONS		THIRD ANGLE PROJECTION	DRAWING	DOC TYPE
▽ = 0			A3-SIZE	SERIES	DOC PART
			70013	MATERIAL NUMBER	REVISION
			SEE CHART	CUSTOMER	000 B
			GENERAL MARKET	SHEET NUMBER	
			1 OF 3		

HOUSING OPTIONS WITH RIBS

HOUSING TO INTERIM CLIP RETENTION	HOUSING OPTION	SPRING CLIP 71809
STANDARD	B	NO
MEDIUM	D	NO
HIGH	B AND D	YES



CKTS	DIM A	OPTION B		OPTION D
		MATERIAL NO	ENG NO	MATERIAL NO:
6	7.87	15045064	70013-1006	NA
8	10.41	15045084	70013-1008	NA
10	12.95	15045104	70013-1010	NA
12	15.49	15045124	70013-1012	NA
14	18.03	15045144	70013-1014	NA
16	20.57	15045164	70013-1016	NA
18	23.11	15045184	70013-1018	NA
20	25.65	15045204	70013-1020	70013-3020
22	28.19	15045224	70013-1022	70013-3022
24	30.73	15045244	70013-1024	70013-3024
26	33.27	15045264	70013-1026	70013-3026
28	35.81	15045284	70013-1028	70013-3028
30	38.35	15045304	70013-1030	70013-3030
32	40.89	15045324	70013-1032	70013-3032
34	43.43	15045344	70013-1034	70013-3034
36	45.97	15045364	70013-1036	70013-3036
38	48.51	15045384	70013-1038	70013-3038
40	51.05	15045404	70013-1040	70013-3040
42	53.59	15045424	70013-1042	70013-3042
44	56.13	15045444	70013-1044	70013-3044
46	58.67	15045464	70013-1046	70013-3046
48	61.21	15045484	70013-1048	70013-3048
50	63.75	15045504	70013-1050	70013-3050

SYMBOLS DIMENSION UNITS: mm SCALE: 3:1 GENERAL TOLERANCES (UNLESS SPECIFIED) ANGULAR TOL ± ° 4 PLACES ± 3 PLACES ± 2 PLACES ± 0.25 1 PLACE ± 0.38 0 PLACES ± 0.0 DRAFT WHERE APPLICABLE MUST REMAIN WITHIN DIMENSIONS THIRD ANGLE PROJECTION DRAWING: A3-SIZE SERIES: 70013	THIS DRAWING CONTAINS INFORMATION THAT IS PROPRIETARY TO MOLEX ELECTRONIC TECHNOLOGIES, LLC AND SHOULD NOT BE USED WITHOUT WRITTEN PERMISSION CURRENT REV DESC: EC NO: 635923 DRWN: SMAHAJANSHET 2020/04/15 CHK'D: NCSR 2020/04/15 APPR: NCSR 2020/04/15 INITIAL REVISION: DRWN: KSAMIEC 2017/07/10 APPR: FSMITH 2017/07/18			 SL DUAL ROW INTERIM CLIP			
	PRODUCT CUSTOMER DRAWING						DOCUMENT NUMBER
				700130000-SD	PSD	000	B
	MATERIAL NUMBER		CUSTOMER		SHEET NUMBER		
SEE CHART		GENERAL MARKET		2 OF 3			

