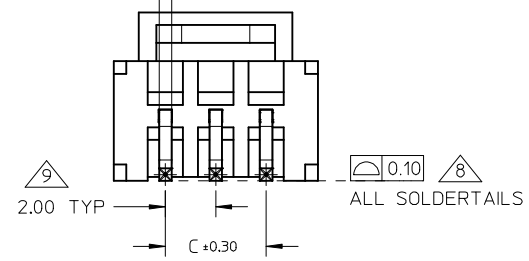
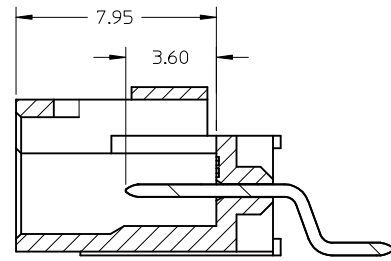
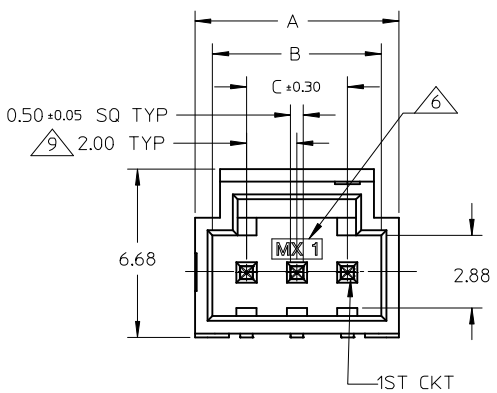
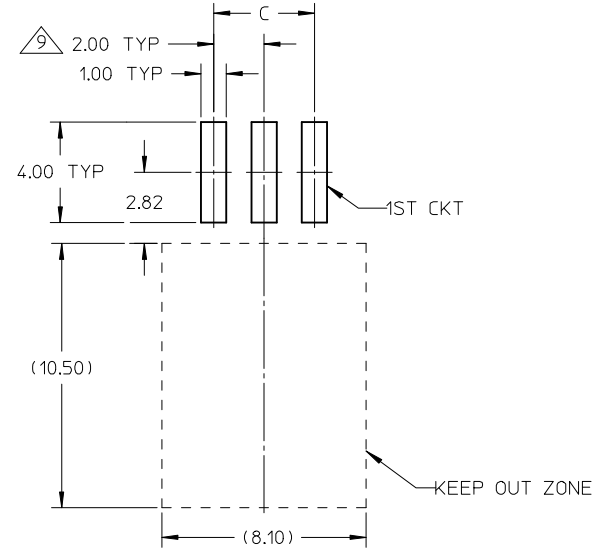
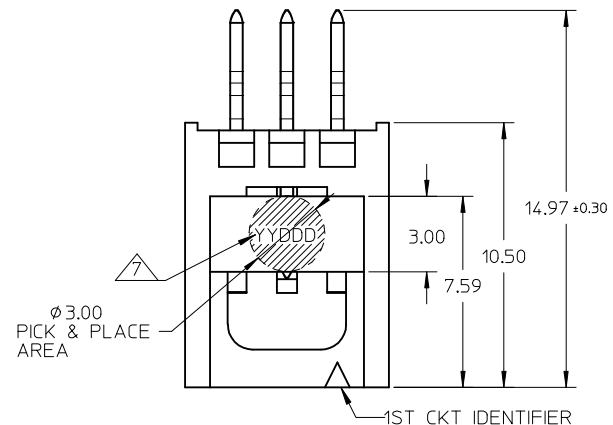


RECOMMENDED PCB LAYOUT
GENERAL TOLERANCE: ±0.05

CKT SIZE	DIMENSION			
	A	B	C	D
2	6.10	4.70	2.00	3.00
3	8.10	6.70	4.00	5.00
4	10.10	8.70	6.00	7.00
5	12.10	10.70	8.00	9.00
6	14.10	12.70	10.00	11.00
7	16.10	14.70	12.00	13.00
8	18.10	16.70	14.00	15.00
9	20.10	18.70	16.00	17.00
10	22.10	20.70	18.00	19.00

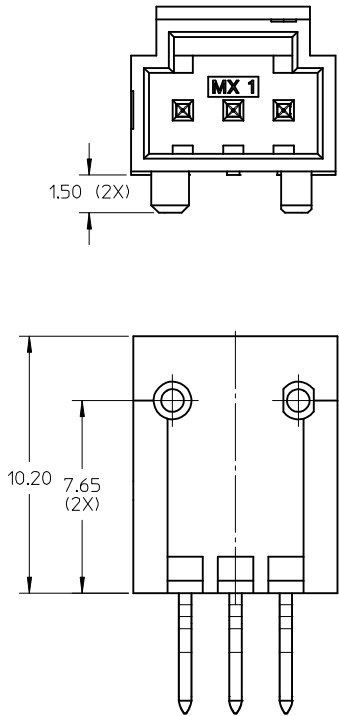


SECTION Z-Z

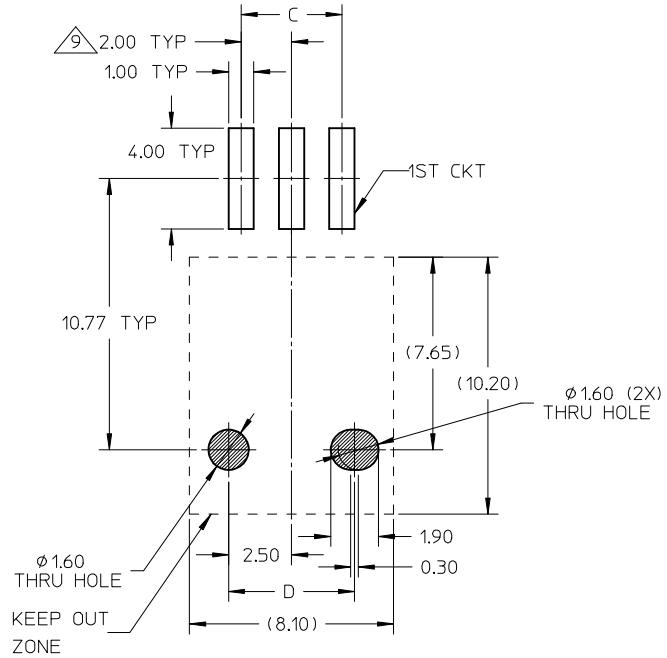
- NOTES:
- MATERIAL:
HOUSING: LIQUID CRYSTALLINE POLYMERS (LCP), GLASS FILLED, UL94V-0, BLACK.
PIN: COPPER ALLOY, 0.50MM SQ
 - PLATING: SEE TABLE.
 - PRODUCT SPECIFICATION: PS-151062-0001.
 - PACKAGING SPECIFICATION: PK-151062-0001.
 - TO BE MATED WITH MOLEX RECEPTACLES SERIES: 151100.
 - MANUFACTURING ID & CAVITY ID SHALL BE LOCATED APPROXIMATELY AS SHOWN.
 - DATE CODE: YYDDD IS LOCATED APPROXIMATELY AS SHOWN.
 - COPLANARITY TO BE MEASURED BY RESTING THE SOLDERTAIL ON FLAT/GAUGE SURFACE.
 - PITCH TOLERANCE SHALL BE NON ACCUMULATED.

REV	DESCRIPTION	QUALITY SYMBOLS		GENERAL TOLERANCES (UNLESS SPECIFIED)		DIMENSION STYLE		SCALE	DESIGN UNITS	THIRD ANGLE PROJECTION	
		FA=0	FC=0	mm	INCH	MM ONLY	NTS	METRIC	PROJECTION		
A	RELEASE TO REV A EC NO: S2016-0665 DRWN:FCS00 2016/01/27 CHKD:CGOH 2016/02/16 APPR:KHLIM 2016/02/16			4 PLACES	± ---	± ---	FCS00	DATE	2014/12/17	TITLE	
				3 PLACES	± ---	± ---	FCS00	DATE	2014/12/17	SALES DRAWING PCB HEADER, RA SMT SINGLE ROW MILLIGRID	
				2 PLACES	± 0.20	± ---	FCS00	DATE	2014/12/17	molex	
				1 PLACE	± ---	± ---	KHLIM	DATE	2015/07/02	DOCUMENT NO.	SHEET NO.
				0 PLACE	± ---	± ---				SD-151064-0001	1 OF 3
				ANGULAR ± 3 °		SEE TABLE		THIS DRAWING CONTAINS INFORMATION THAT IS PROPRIETARY TO MOLEX INCORPORATED AND SHOULD NOT BE USED WITHOUT WRITTEN PERMISSION			
				DRAFT WHERE APPLICABLE MUST REMAIN WITHIN DIMENSIONS		SIZE A3					

WITH PEG



RECOMMENDED PCB LAYOUT
GENERAL TOLERANCE: ±0.05



RELEASE TO REV A EC NO: S2016-0665 DRWN:FCS00 2016/01/27 CHKD:CGOH 2016/02/16 APPR:KHLIM 2016/02/16	DESCRIPTION REV	QUALITY SYMBOLS	GENERAL TOLERANCES (UNLESS SPECIFIED)	DIMENSION STYLE	SCALE	DESIGN UNITS	THIRD ANGLE PROJECTION
		$\nabla_A = 0$ $\nabla_C = 0$ $\nabla_P = 0$	mm INCH 4 PLACES ± --- ± --- 3 PLACES ± --- ± --- 2 PLACES ± 0.20 ± --- 1 PLACE ± --- ± --- 0 PLACE ± --- ± ---	MM ONLY	NTS	METRIC	TITLE SALES DRAWING PCB HEADER, RA SMT SINGLE ROW MILLIGRID
		ANGULAR ± 3 ° DRAFT WHERE APPLICABLE MUST REMAIN WITHIN DIMENSIONS	DRAWN BY: FCS00 DATE: 2014/12/17 CHECKED BY: DATE: 2014/12/17 APPROVED BY: KHLIM DATE: 2015/07/02 MATERIAL NO.	SEE TABLE SIZE: A3	DOCUMENT NO. SD-151064-0001	SHEET NO. 2 OF 3	
		THIS DRAWING CONTAINS INFORMATION THAT IS PROPRIETARY TO MOLEX INCORPORATED AND SHOULD NOT BE USED WITHOUT WRITTEN PERMISSION					

ASSEMBLY

151064 - X X X X

02 - 10	2-10 CKT W/O PEG
52 - 60	2-10 CKT WITH PEG
	52 = 2CKT
	53 = 3CKT
	.
	59 = 9CKT
	60 = 10CKT

PLATING	
0	FULL TIN
1	Au FLASH
2	0.38 Au
3	0.75 Au
4	OTHER OPTIONS
5	
6	
7	
8	
9	

PACKAGING	
0	TAPE & REEL
1	TUBE
	OTHER OPTIONS

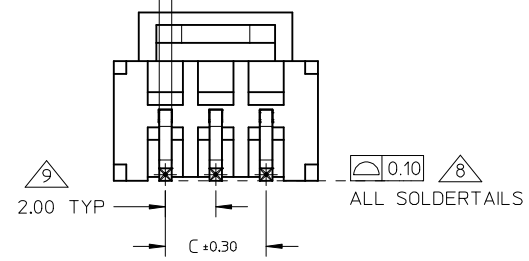
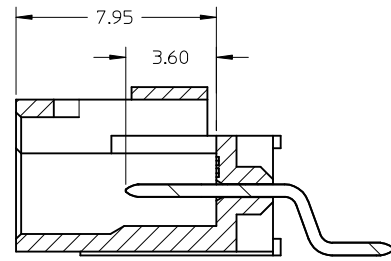
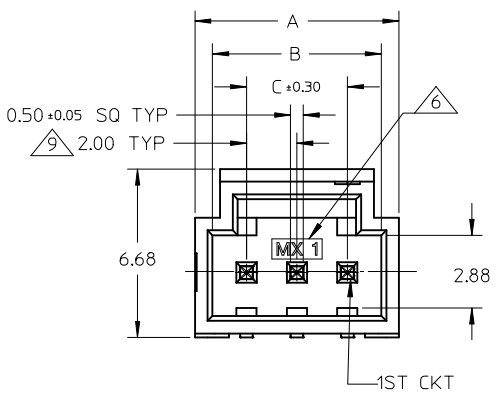
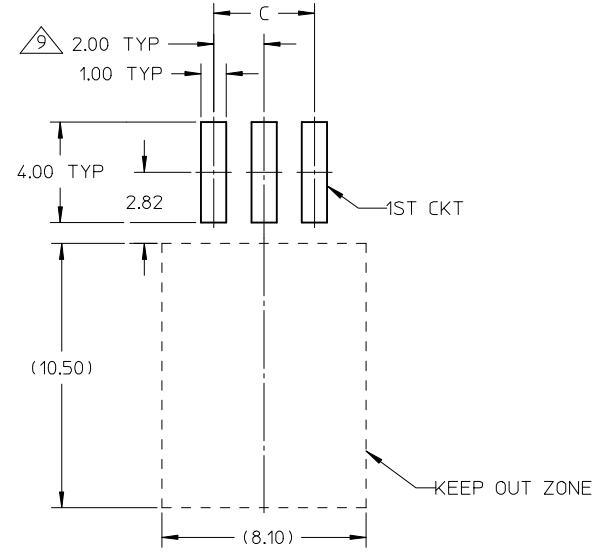
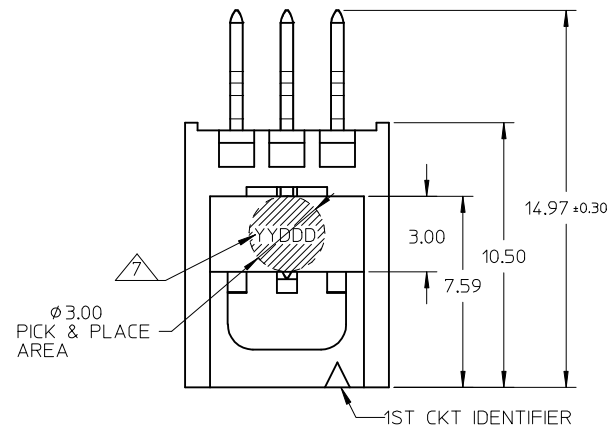
PLATING OPTIONS	
-*0**	2.50µm MIN. TIN ON CONTACT AND 2.00µm MIN. TIN (MATTE) ON SOLDER TAIL OVER 1.25µm MIN. NICKEL OVERALL.
-*1**	0.05µm MIN. GOLD PLATE ON CONTACT AND 2.00µm MIN. TIN (MATTE) ON SOLDER TAIL OVER 1.25µm MIN. NICKEL OVERALL.
-*2**	0.38µm MIN. GOLD PLATE ON CONTACT AND 2.00µm MIN. TIN (MATTE) ON SOLDER TAIL OVER 1.25µm MIN. NICKEL OVERALL.
-*3**	0.75µm MIN. GOLD PLATE ON CONTACT AND 2.00µm MIN. TIN (MATTE) ON SOLDER TAIL OVER 1.25µm MIN. NICKEL OVERALL.

PACKAGING OPTIONS	
TAPE & REEL	151000-4***
PACKAGING TUBE	151000-3015

RELEASE TO REV A EC NO: S2016-0665 DRWN: FCS00 2016/01/27 CHKD: CGOH 2016/02/16 APPR: KHL IM 2016/02/16	QUALITY SYMBOLS $\nabla_A = 0$ $\nabla_C = 0$ $\nabla_P = 0$	GENERAL TOLERANCES (UNLESS SPECIFIED)		DIMENSION STYLE MM ONLY	SCALE NTS	DESIGN UNITS METRIC	THIRD ANGLE PROJECTION	
				DRAWN BY FCS00	DATE 2014/12/17	TITLE SALES DRAWING PCB HEADER, RA SMT SINGLE ROW MILLIGRID		
				CHECKED BY FCS00	DATE 2014/12/17	APPROVED BY KHL IM		
				APPROVED BY KHL IM	DATE 2015/07/02	MATERIAL NO. SEE TABLE	DOCUMENT NO. SD-151064-0001	SHEET NO. 3 OF 3
DRAFT WHERE APPLICABLE MUST REMAIN WITHIN DIMENSIONS		ANGULAR $\pm 3^\circ$		THIS DRAWING CONTAINS INFORMATION THAT IS PROPRIETARY TO MOLEX INCORPORATED AND SHOULD NOT BE USED WITHOUT WRITTEN PERMISSION				

RECOMMENDED PCB LAYOUT
GENERAL TOLERANCE: ±0.05

CKT SIZE	DIMENSION			
	A	B	C	D
2	6.10	4.70	2.00	3.00
3	8.10	6.70	4.00	5.00
4	10.10	8.70	6.00	7.00
5	12.10	10.70	8.00	9.00
6	14.10	12.70	10.00	11.00
7	16.10	14.70	12.00	13.00
8	18.10	16.70	14.00	15.00
9	20.10	18.70	16.00	17.00
10	22.10	20.70	18.00	19.00

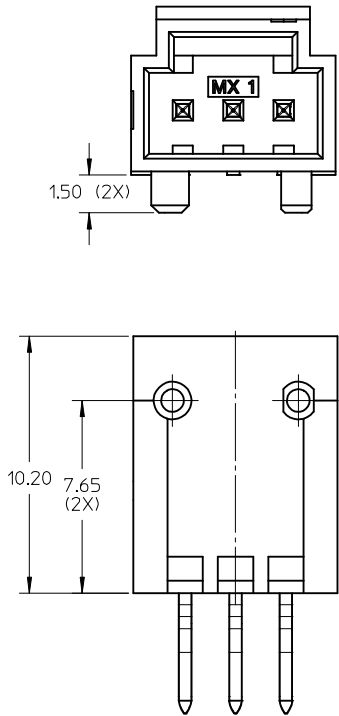


SECTION Z-Z

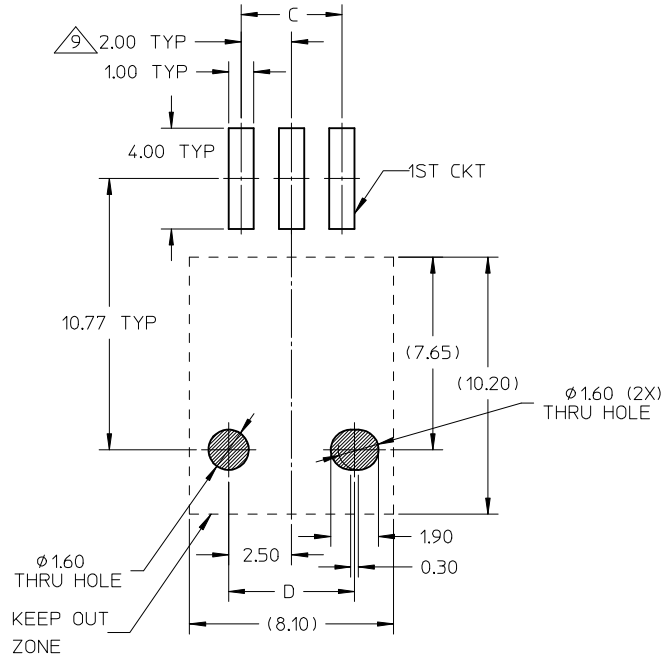
- NOTES:
- MATERIAL:
HOUSING: LIQUID CRYSTALLINE POLYMERS (LCP), GLASS FILLED, UL94V-0, BLACK.
PIN: COPPER ALLOY, 0.50MM SQ
 - PLATING: SEE TABLE.
 - PRODUCT SPECIFICATION: PS-151062-0001.
 - PACKAGING SPECIFICATION: PK-151062-0001.
 - TO BE MATED WITH MOLEX RECEPTACLES SERIES: 151100.
 - MANUFACTURING ID & CAVITY ID SHALL BE LOCATED APPROXIMATELY AS SHOWN.
 - DATE CODE: YYDDD IS LOCATED APPROXIMATELY AS SHOWN.
 - COPLANARITY TO BE MEASURED BY RESTING THE SOLDER TAIL ON FLAT/GAUGE SURFACE.
 - PITCH TOLERANCE SHALL BE NON ACCUMULATED.

RELEASE TO REV A EC NO: S2016-0665 DRWN:FCS00 2016/01/27 CHKD:CGOH 2016/02/16 APPR:KHLIM 2016/02/16	QUALITY SYMBOLS $F_A=0$ $F_C=0$ $F_P=0$	GENERAL TOLERANCES (UNLESS SPECIFIED)		DIMENSION STYLE MM ONLY		SCALE NTS	DESIGN UNITS METRIC	THIRD ANGLE PROJECTION			
		4 PLACES ± --- ± ---	3 PLACES ± --- ± ---	DRAWN BY FCS00	DATE 2014/12/17	TITLE SALES DRAWING PCB HEADER, RA SMT SINGLE ROW MILLIGRID					
		2 PLACES ± 0.20 ± ---	1 PLACE ± --- ± ---	CHECKED BY FCS00	DATE 2014/12/17	APPROVED BY KHLIM					
		0 PLACE ± --- ± ---	ANGULAR ± 3 °		MATERIAL NO. SEE TABLE	DATE 2015/07/02	DOCUMENT NO. SD-151064-0001				SHEET NO. 1 OF 3
DRAFT WHERE APPLICABLE MUST REMAIN WITHIN DIMENSIONS		THIS DRAWING CONTAINS INFORMATION THAT IS PROPRIETARY TO MOLEX INCORPORATED AND SHOULD NOT BE USED WITHOUT WRITTEN PERMISSION									

WITH PEG



RECOMMENDED PCB LAYOUT
GENERAL TOLERANCE: ±0.05



RELEASE TO REV A EC NO: S2016-0665 DRWN:FCS00 2016/01/27 CHKD:CGOH 2016/02/16 APPR:KHL IM 2016/02/16	DESCRIPTION REV	QUALITY SYMBOLS	GENERAL TOLERANCES (UNLESS SPECIFIED)	DIMENSION STYLE	SCALE	DESIGN UNITS	THIRD ANGLE PROJECTION	
		$\nabla_A = 0$ $\nabla_C = 0$ $\nabla_P = 0$	mm INCH 4 PLACES ± --- ± --- 3 PLACES ± --- ± --- 2 PLACES ± 0.20 ± --- 1 PLACE ± --- ± --- 0 PLACE ± --- ± ---	MM ONLY	NTS	METRIC		
			ANGULAR ± 3 ° DRAFT WHERE APPLICABLE MUST REMAIN WITHIN DIMENSIONS	DRAWN BY: FCS00 DATE: 2014/12/17 CHECKED BY: DATE: APPROVED BY: DATE: 2014/12/17 KHL IM 2015/07/02	TITLE	SALES DRAWING PCB HEADER, RA SMT SINGLE ROW MILLIGRID		
			SEE TABLE	MATERIAL NO. DOCUMENT NO. SD-151064-0001 SHEET NO. 2 OF 3				

ASSEMBLY

151064 - X X X X

02 - 10	2-10 CKT W/O PEG
52 - 60	2-10 CKT WITH PEG
	52 = 2CKT
	53 = 3CKT
	.
	59 = 9CKT
	60 = 10CKT

PLATING	
0	FULL TIN
1	Au FLASH
2	0.38 Au
3	0.75 Au
4	OTHER OPTIONS
5	
6	
7	
8	
9	

PACKAGING	
0	TAPE & REEL
1	TUBE
	OTHER OPTIONS

PLATING OPTIONS	
-x0**	2.50µm MIN. TIN ON CONTACT AND 2.00µm MIN. TIN (MATTE) ON SOLDERTAIL OVER 1.25µm MIN. NICKEL OVERALL.
-x1**	0.05µm MIN. GOLD PLATE ON CONTACT AND 2.00µm MIN. TIN (MATTE) ON SOLDERTAIL OVER 1.25µm MIN. NICKEL OVERALL.
-x2**	0.38µm MIN. GOLD PLATE ON CONTACT AND 2.00µm MIN. TIN (MATTE) ON SOLDERTAIL OVER 1.25µm MIN. NICKEL OVERALL.
-x3**	0.75µm MIN. GOLD PLATE ON CONTACT AND 2.00µm MIN. TIN (MATTE) ON SOLDERTAIL OVER 1.25µm MIN. NICKEL OVERALL.

PACKAGING OPTIONS	
TAPE & REEL	151000-4***
PACKAGING TUBE	151000-3015

RELEASE TO REV A EC NO: S2016-0665 DRWN:FCS00 2016/01/27 CHKD:CGOH 2016/02/16 APPR:KHLIM 2016/02/16	REV DESCRIPTION A	QUALITY SYMBOLS	GENERAL TOLERANCES (UNLESS SPECIFIED)	DIMENSION STYLE	SCALE	DESIGN UNITS	THIRD ANGLE PROJECTION		
		$\nabla_A = 0$ $\nabla_C = 0$ $\nabla_P = 0$	mm INCH 4 PLACES ± --- ± --- 3 PLACES ± --- ± --- 2 PLACES ± 0.20 ± --- 1 PLACE ± --- ± --- 0 PLACE ± --- ± ---	MM ONLY	NTS	METRIC	DRAWN BY DATE FCS00 2014/12/17 CHECKED BY DATE FCS00 2014/12/17 APPROVED BY DATE KHLIM 2015/07/02	TITLE	SALES DRAWING PCB HEADER, RA SMT SINGLE ROW MILLIGRID
		ANGULAR ± 3 °	DRAFT WHERE APPLICABLE MUST REMAIN WITHIN DIMENSIONS	SEE TABLE	MATERIAL NO.	DOCUMENT NO.	SHEET NO.	molex SD-151064-0001 3 OF 3	
				SIZE	THIS DRAWING CONTAINS INFORMATION THAT IS PROPRIETARY TO MOLEX INCORPORATED AND SHOULD NOT BE USED WITHOUT WRITTEN PERMISSION				