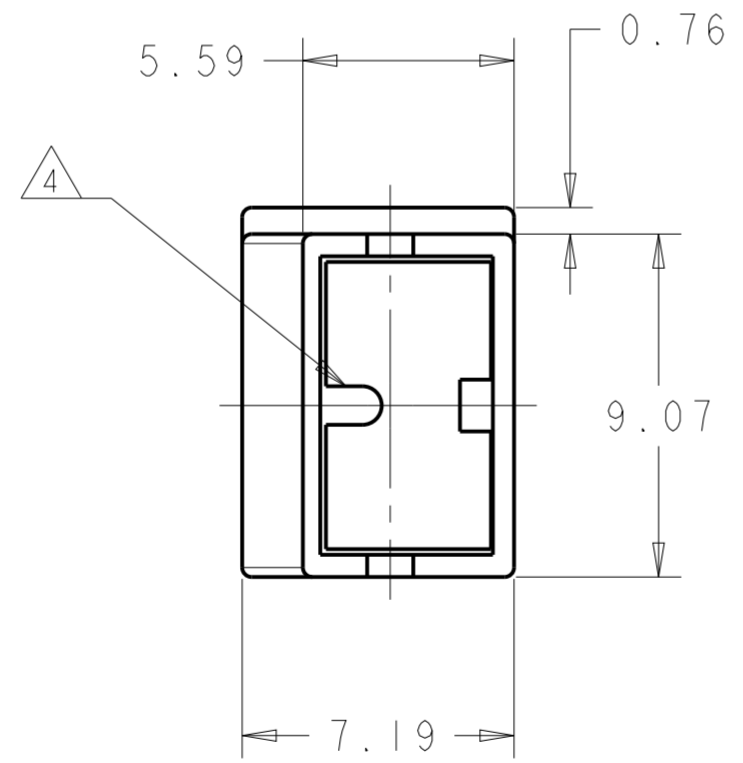
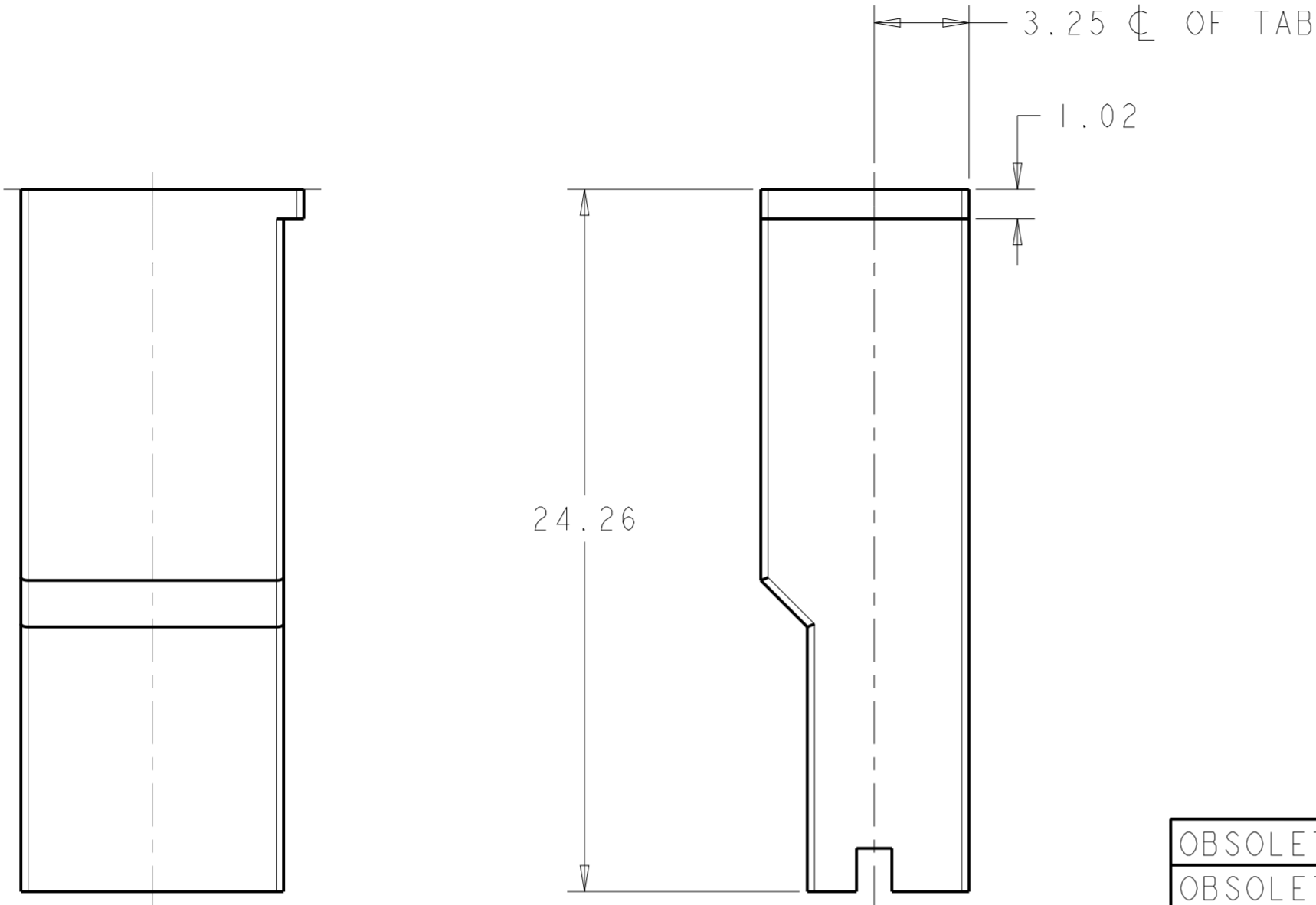


THIS DRAWING IS UNPUBLISHED. RELEASED FOR PUBLICATION 20
 © COPYRIGHT 20 y ALL RIGHTS RESERVED.

LOC	DIST	REVISIONS					
IR	-	P	LTR	DESCRIPTION	DATE	DWN	APVD
		AV5		REVISED PER ECR-16-016851	28NOV2016	HG	TD
		AV6		REVISED PER ECR-19-012306	24MAR2020	SS	DL
		AV7		REVISED PER ECR-21-101990	19APR2021	SS	EW



- NOTES:
- 1 PA66 NATURAL MATERIAL ACC TO SPEC IEC 60335-1 GWT 750° WITHOUT FLAME
 - 2 MOISTURISED PRODUCT FOR SMALL WIRE APPLICATIONS
 - 3 ONLY FOR USE WITH POST PLATED OR WASHED CONTACTS
 - 4 RIB IS EXTEND TO FRONT OF HOUSING FOR BRAZIL PRODUCTION
 - 5 USING EQUIVALENT ALTERNATE MATERIAL
 - 6 OBSOLETE PART
 - 7 INTERNAL FLASH INSIDE CAVITY (THIN AND FLEXIBLE THAT DO NOT COME OFF) ACCEPTABLE UP TO 0.15 mm. EXTERNAL FLASH ACCEPTABLE UP TO 0.4 mm

OBSOLETE	2	8-154719-6	As Drg	UL 94 V0	PA 66	Orange
OBSOLETE	2 6	8-154719-5	As Drg	UL 94 V2	PA 6/6 or Equivalent	Natural
OBSOLETE	1	8-154719-4	As Drg	UL 94 V0	PA 66	Natural
		8-154719-3	As Drg.	UL 94 V0	PA 66/6	Terracotta
OBSOLETE	2	8-154719-1	As Drg.	UL 94 V2	PA 6/6 or Equivalent	Black
		8-154719-0	As drg.	UL 94 V0	PA 6/6 or Equivalent	Clear
		7-154719-0	AE	UL 94 V0	PA 66	Orange (Ral 2000)
		6-154719-6	AB	UL 94 V2	PBT	Black
		5-154719-0	AB	UL 94 V0	PPE+PS	Orange
		4-154719-0	AA	UL 94 V0	PA 66	(Bk-59 Black)
	3	2-154719-0	AA	UL 94 V0	PPE+PS	Red
	5	1-154719-1	As Drg.	UL 94 V0	PA 6/6 or Equivalent	Natural
		1-154719-0	AE	UL 94 V0	PA 6/6 or Equivalent	Natural
		154719-9	As Drg.	UL 94 V2	PA 6/6 or Equivalent	Brown
		154719-6	As Drg.	UL 94 V2	PA 6/6 or Equivalent	Blue
		154719-5	As Drg.	UL 94 V2	PA 6/6 or Equivalent	Green
		154719-4	As Drg.	UL 94 V2	PA 6/6 or Equivalent	Yellow
		154719-2	As Drg.	UL 94 V2	PA 6/6 or Equivalent	Red
		154719-1	As Drg.	UL 94 V2	PA 6/6 or Equivalent	Natural
		154719	As. Drg.	UL 94 V2	PA 6/6 or Equivalent	Black
Notes	Part Number	Part Revision	Flammability Rating	Material	Colour	

THIS DRAWING IS A CONTROLLED DOCUMENT.

DWN	A. J. BEKEN	09MAY2002	 TE Connectivity
CHK	S. CLAPPISON	09MAY2002	
APVD	S. CLAPPISON	09MAY2002	
PRODUCT SPEC	108-3252		
APPLICATION SPEC	114-2153		
MATERIAL	See Table		
WEIGHT	0.5g		
Customer Drawing	SCALE 5:1	SHEET 1 OF 1	REV AV7