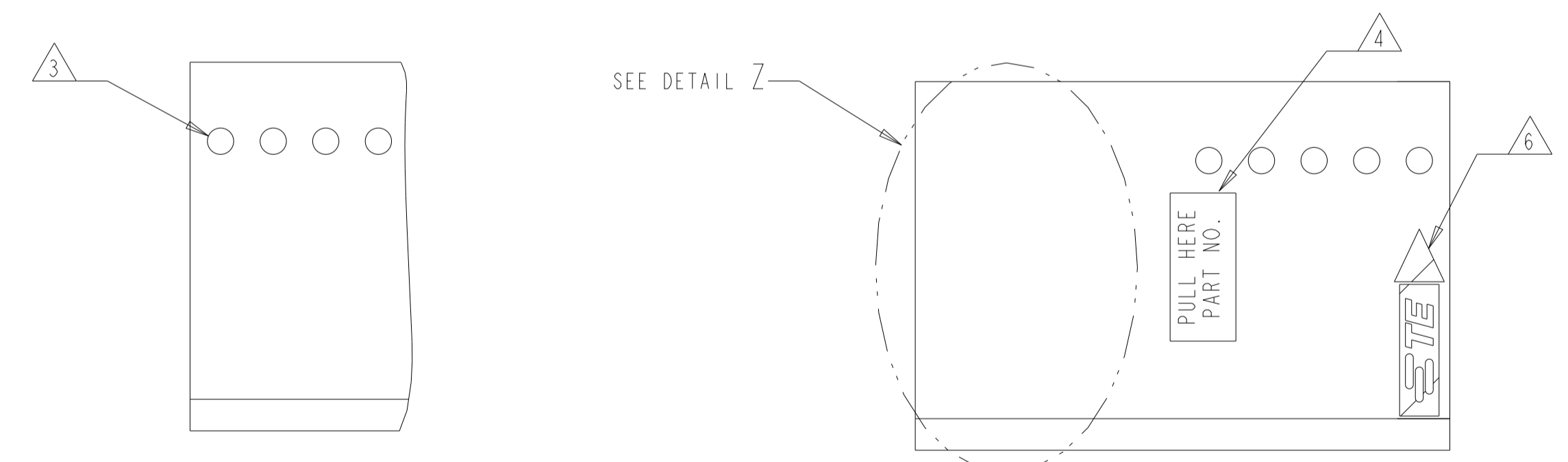
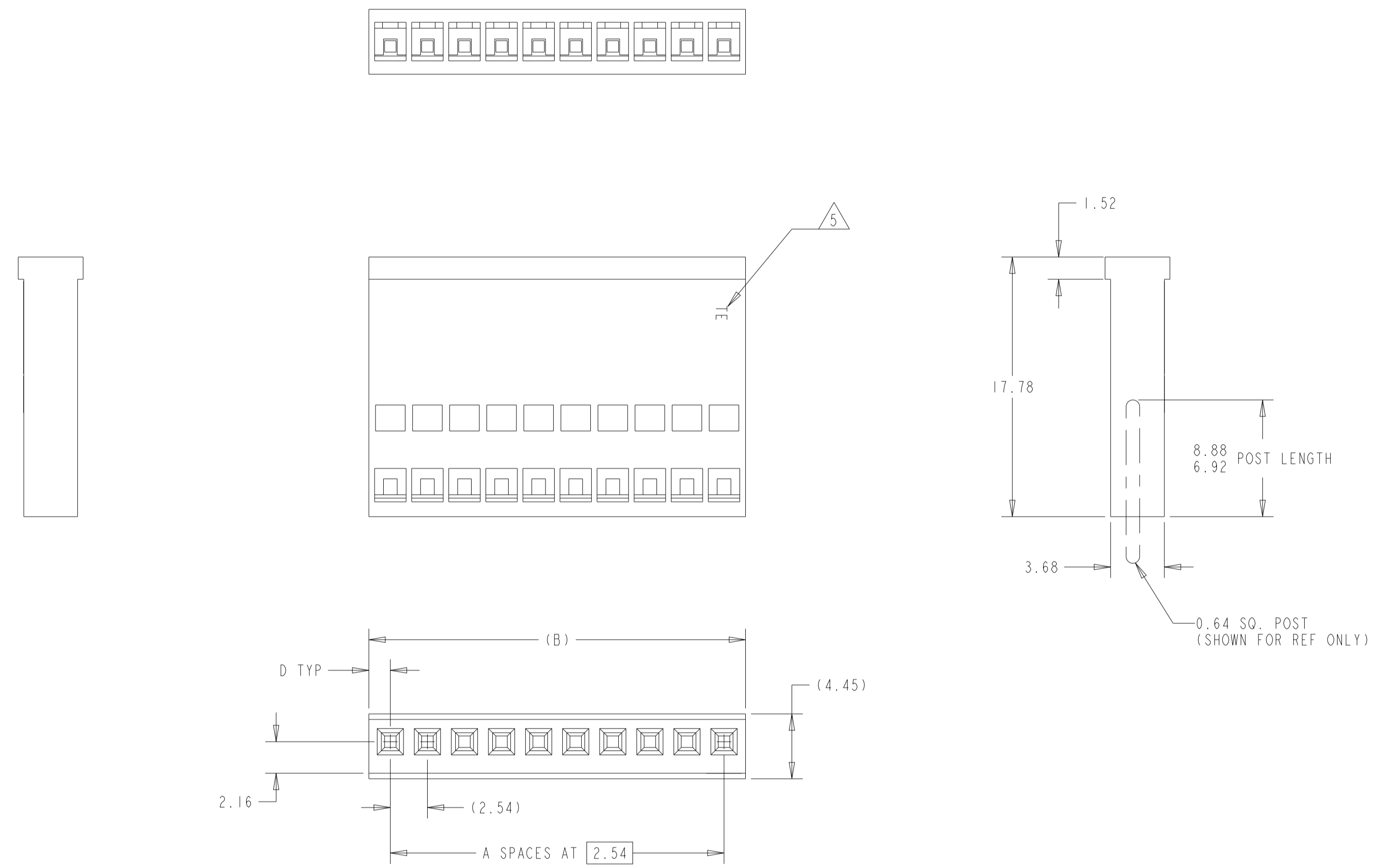


PRODUCT INSTRUCTION

PULL ON HOUSING TO REMOVE FROM POSTS.
DO NOT CONFINE THE CONDUCTORS OR PULL ON THE
CONDUCTORS DURING REMOVAL ACTION.

REVISIONS					
P	LTN	DESCRIPTION	DATE	DWN	APVD
V		REVISED PER ECO-18-000976	28MAY2018	RS	JO
VI		REVISED PER ECO-19-016615	05NOV2019	RS	JO
W		REVISED PER ECR-22-137476	09JUN2022	RK	SD

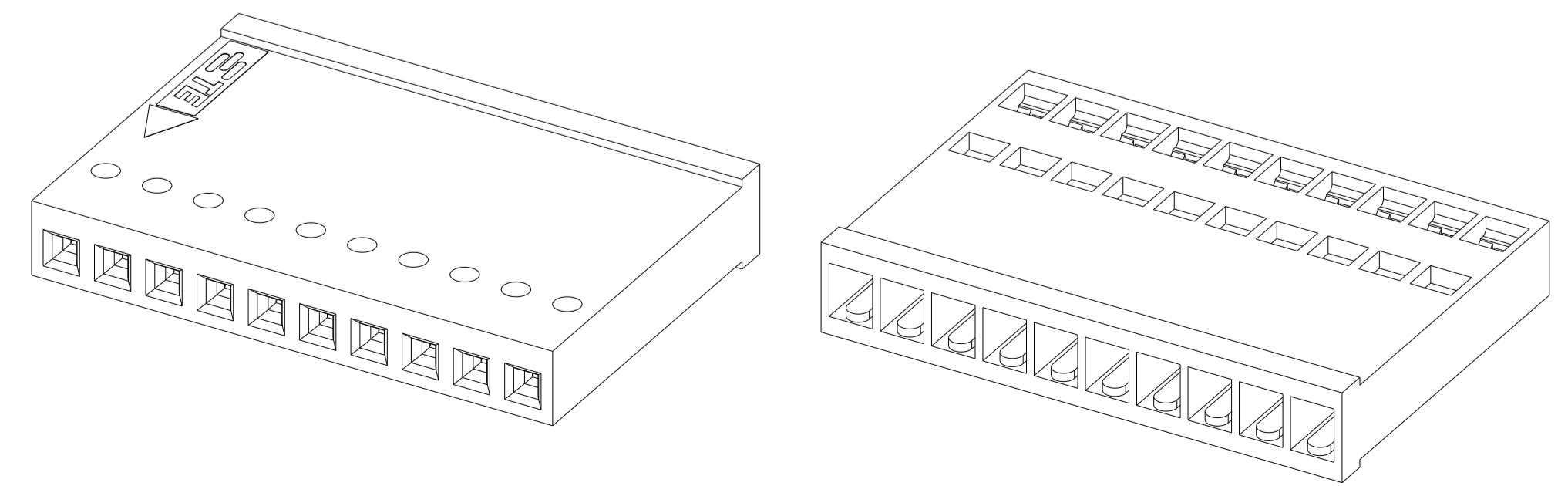
- 1 GLASS FILLED THERMOPLASTIC, UL 94-V0 RATED, COLOR:BLACK
- 2 HOUSING ACCEPTS LOCKING CLIP CONTACT PART NO.S 87124, 87165, 87190, 87191, & MATES WITH 0.635mm SQ. POSTS.
- 3 CORE PIN SUPPORT HOLES ARE OPTIONAL, AND MAY BE ROUND OR SQUARE OR MAY NOT BE PRESENT AT ALL.
- 4 MARKED AS SHOW, THIS SIDE ONLY, APPROXIMATELY IN CENTER OF HOUSING. "PULL HERE" AND PART NO. TO APPEAR ON HOUSING 6 POS AND LARGER
- 5 RAISED TE LOGO MOLDED IN HOUSING.
- 6 TEXTURED TE LOGO MOLDED IN HOUSING. LOGO MAY APPEAR ON EITHER END OF HOUSING.
- 7 THE PRODUCT IS IN PROCESS FOR UL RECOGNITION.
- 8 THE PRODUCT IS NOT YET QUALIFIED AND IS IN PROCESS.



SUPRESEDED BY 87175-2

REV	REV	MATERIAL	COLOR	D	C	A	B	POSN	PART NUMBER (UNMARKED)	PART NUMBER (STAMPED)
5	1	BLACK	1.47	7.62	3	10.57	4	6-87175-3	-	-
6	1	BLACK	1.37	0.00	0	2.74	1	3-87175-4	-	-
6	1	BLACK	1.37	0.00	0	2.74	1	3-87175-3	-	-
6	1	BLACK	1.37	0.00	0	2.74	1	3-87175-2	-	-
5	1	BLACK	1.37	0.00	0	2.74	1	-	-	-
5	1	BLACK	1.47	33.02	13	35.97	14	3-87175-0	2-87175-9	2-87175-9
5	1	BLACK	1.47	30.48	12	33.43	13	2-87175-8	2-87175-7	2-87175-7
5	1	BLACK	1.47	27.94	11	30.89	12	2-87175-6	2-87175-5	2-87175-5
5	1	BLACK	1.47	25.40	10	28.35	11	2-87175-4	2-87175-3	2-87175-3
5	1	BLACK	1.47	22.86	9	25.81	10	2-87175-2	2-87175-1	2-87175-1
5	1	BLACK	1.47	20.32	8	23.27	9	2-87175-0	1-87175-9	1-87175-9
5	1	BLACK	1.47	17.78	7	20.73	8	1-87175-8	1-87175-7	1-87175-7
5	1	BLACK	1.47	15.24	6	18.19	7	1-87175-6	1-87175-5	1-87175-5
5	1	BLACK	1.47	12.70	5	15.65	6	1-87175-4	1-87175-3	1-87175-3
6	1	BLACK	1.47	10.16	4	13.11	5	1-87175-2	-	-
6	1	BLACK	1.47	7.62	3	10.57	4	1-87175-0	-	-
6	1	BLACK	1.47	5.08	2	8.03	3	87175-8	-	-
6	1	BLACK	1.47	2.54	1	5.49	2	87175-6	-	-
5	1	BLACK	1.47	35.56	14	38.51	15	87175-4	87175-3	87175-3
6	1	BLACK	1.37	0	0	2.74	1	87175-2	-	-

2-87175-1 AND 2-87175-2 AS SHOWN



THIS DRAWING IS A CONTROLLED DOCUMENT.		DWN	D. KELITZER	11-16-89
DIMENSIONS:		CHK	S. BEAM	11-29-89
TOLERANCES UNLESS OTHERWISE SPECIFIED:		APVD	S. BEAM	11-29-89
mm	0 PLC ±	NAME		
	1 PLC ±	HOUSING-LOCKING CLIP .025		
	2 PLC ±	SQ. POST, 100 CENTERS		
	3 PLC ±	(CLOSED END) SINGLE ROW		
	4 PLC ±	SIZE		
	ANGLES	CAGE CODE		
	FINISH	DRAWING NO		
MATERIAL	SEE TABLE	WEIGHT	114-25006	RESTRICTED TO
		CUSTOMER DRAWING	A 00779 87175	SCALE 4:1 SHEET 1 OF 1 REV W