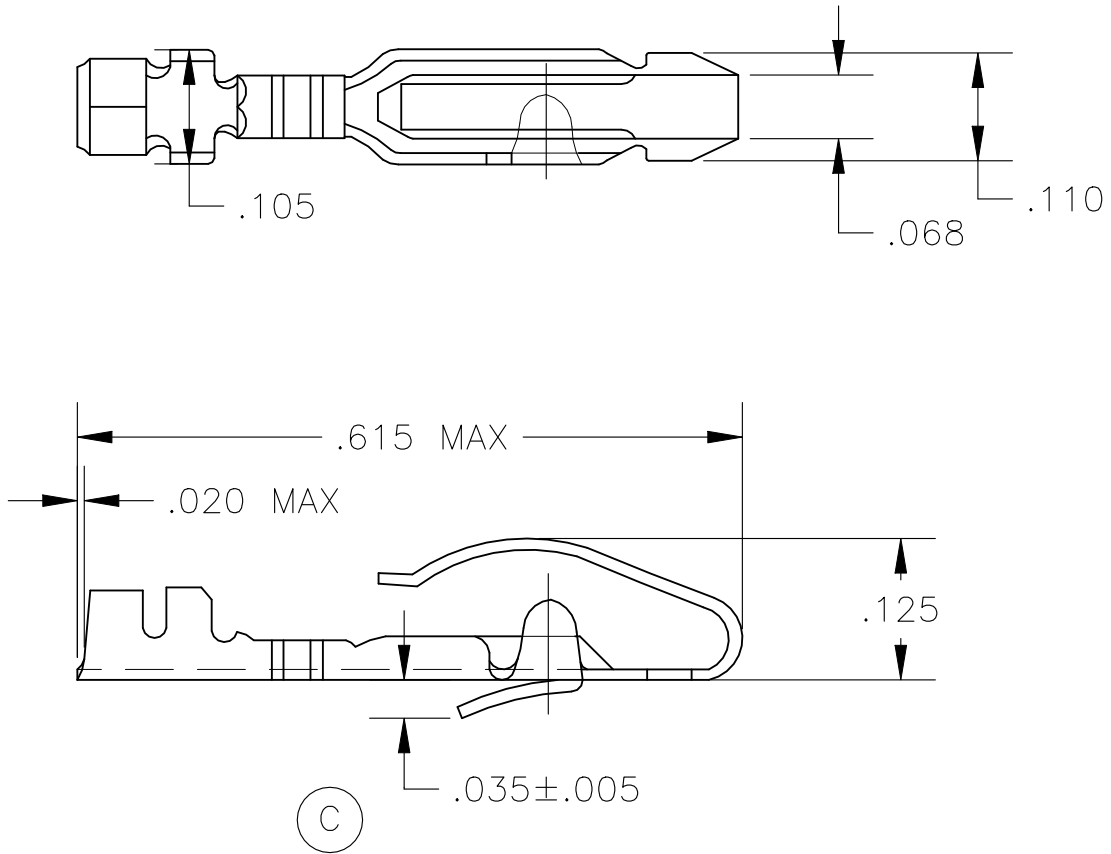


REVISIONS				
P	LTR	DESCRIPTION	DATE	APVD
E1		ECN-22-171534	30AUG2022	JO



- 66084-1 1. AS SHOWN
- 66084-2 1. SAME AS -1 EXCEPT:
2. TIN PLATED.
- 66084-3 1. SAME AS -1 EXCEPT:
2. GOLD PLATED.
- 5-66084-2 1. SAME AS -1 EXCEPT:
2. MATTE TIN PLATED.

TE Connectivity. All Rights Reserved.

©

DIMENSIONS: INCHES	DWN	-	MATERIAL	PHOS. BRONZE	FINISH	-
	CHK	-	TE Connectivity			
TOLERANCES UNLESS OTHERWISE SPECIFIED:	APVD	-				
	0 PLC	± -	AMP LEAF USED FOR DUMMY TERMINAL			
1 PLC	± -	PRODUCT SPEC	SIZE	CAGE CODE	DRAWING NO	RESTRICTED TO
2 PLC	± -	-	A4	00779	©-66084	-
3 PLC	± .015	APPLICATION SPEC	SCALE			
4 PLC	± -	-	5:1			
ANGLES	± 1°	WEIGHT	SHEET			
		-	1 OF 1			
CUSTOMER DRAWING			REV E1			