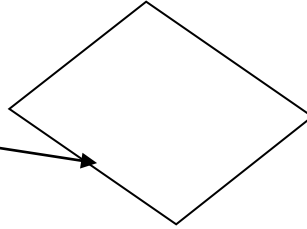
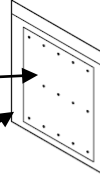


molex[®] PACKAGING SPECIFICATION

88596-1546
BUBBLE WRAP PAD INSIDE TOP
AND BOTTOM OF CARTON
QTY: (2)



46966-2011 OR 885961016
YELLOW SORBENT CLOTH
QTY: (4)



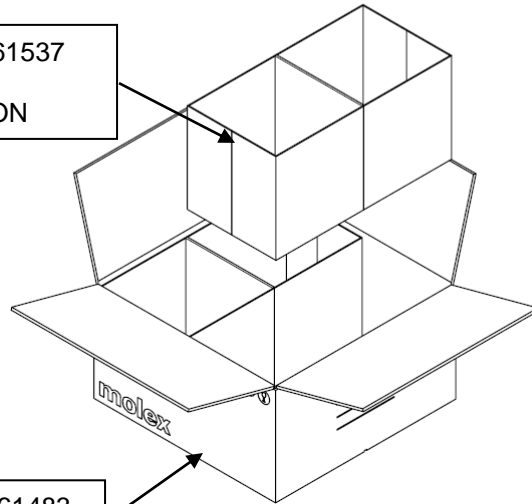
46996-2010 OR 885960969
VENTED ZIP LOCK BAG
QTY: (4)



967130003
POLYBAG, 300 X 500 FLAT
QTY: (4)

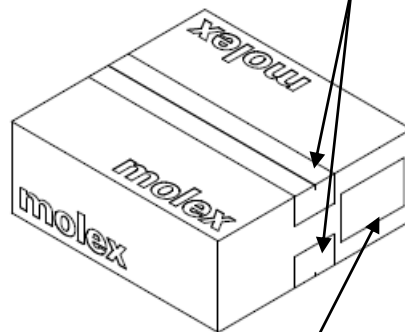


313005940 OR 885961537
2-CELL DIVIDER
QTY: (2) PER CARTON



967080007 OR 885961483
CARTON
QTY: (1)

ADHESIVE TAPE



PRODUCT I.D. & SAFETY AGENCY LABEL

REVISION: B3	ECR/ECN INFORMATION: EC No: 725172 DATE: 2022/10/21	TITLE: BULK PACKAGING SPECIFICATION MICROFIT 200875 SERIES	SHEET No. 1 of 4
DOCUMENT NUMBER: 2008750000-PK	CREATED / REVISED BY: MKIPPER	CHECKED BY: SSOUSEK	APPROVED BY: FSMITH

molex[®] PACKAGING SPECIFICATION

NOTES:

- 1) FOLD AND TAPE BOTTOM FLAPS OF CARTON. TAPE SHOULD EXTEND UP SIDES OF CARTON AT LEAST 76 MM (3 INCHES).
- 2) INSERT (2) BUBBLE WRAP PAD INSIDE TOP AND BOTTOM OF CARTON.
- 3) FOLD AND INSERT (2) 2-CELL CORRUGATED DIVIDERS INTO CARTON AS SHOWN.
- 4) POLYBAGS TO BE FILLED WITH QUANTITY OF PARTS AS SPECIFIED PER CHART.
- 5) ONE BAG OF PARTS IS TO BE INSERTED INTO EACH CELL OF CARTON.
- 6) MOISTURIZATION BAGS ARE TO BE PREPARED BY FIRST ADDING WATER TO PAD AS OUTLINED IN AS-45499-001 THEN INSERTING PAD INTO MOISTURIZATION BAG AND SEALING ZIP LOCK.
- 7) LAY MOISTURIZATION BAG DIRECTLY ON TOP OF PARTS INSIDE POLYBAG AND CLOSE POLYBAG EITHER BY HEAT SEALING OR WITH TWIST LOCK P/N 313017300.
- 8) CLOSE TOP FLAPS OF CARTON AND TAPE. TAPE SHOULD EXTEND DOWN SIDES OF CARTON AT LEAST 76 MM (3 INCHES).
- 9) ADD LABELS TO CARTONS AS REQUIRED.
- 10) FOR LARGER SHIPMENTS CARTONS MAY BE LAYERED ON A 1200 X 800 PALLET WITH (6) CARTONS PER LAYER AND A MAXIMUM OF (4) LAYERS.
- 11) CARTONS ON PALLET TO BE UNITIZED WITH BANDING AND STRETCH FILM PER PK-31301-625.

REVISION: B3	ECR/ECN INFORMATION: EC No: 725172 DATE: 2022/10/21	TITLE: BULK PACKAGING SPECIFICATION MICROFIT 200875 SERIES	SHEET No. 2 of 4
DOCUMENT NUMBER: 2008750000-PK	CREATED / REVISED BY: MKIPPER	CHECKED BY: SSOUSEK	APPROVED BY: FSMITH
<small>TEMPLATE FILENAME: PACKAGING_SPEC[SIZE_A4](V.2).DOC</small>			

molex[®] PACKAGING SPECIFICATION

NO PANEL MOUNTS

CKT SIZE	CONNECTOR MATERIAL NO.	POLYBAG LINER MATERIAL NO.(4PCS)	CARTON MATERIAL	PARTS PER BAG(x4) (SPQ)	PARTS PER CARTON (SPQ)
2	2008750002 2008751002	967130003	885961483	2300	9200
3	2008750003 2008751003	967130003	885961483	2000	8000
4	2008750004 2008751004	967130003	885961483	1700	6800
5	2008750005 2008751005	967130003	885961483	1500	6000
6	2008750006 2008751006	967130003	885961483	1200	4800
7	2008750007 2008751007	967130003	885961483	1000	4000
8	2008750008 2008751008	967130003	885961483	800	3200
9	2008750009 2008751009	967130003	885961483	TBD	TBD
10	2008750010 2008751010	967130003	885961483	TBD	TBD
11	2008750011 2008751011	967130003	885961483	TBD	TBD
12	2008750012 2008751012	967130003	885961483	TBD	TBD

REVISION: B3	ECR/ECN INFORMATION: EC No: 725172 DATE: 2022/10/21	TITLE: BULK PACKAGING SPECIFICATION MICROFIT 200875 SERIES	SHEET No. 3 of 4
DOCUMENT NUMBER: 2008750000-PK	CREATED / REVISED BY: MKIPPER	CHECKED BY: SSOUSEK	APPROVED BY: FSMITH

molex[®] PACKAGING SPECIFICATION

WITH PANEL MOUNTS

CKT SIZE	CONNECTOR MATERIAL NO.	POLYBAG LINER MATERIAL NO. (4PCS)	CARTON MATERIAL	PARTS PER BAG (x4) (SPQ)	PARTS PER CARTON (SPQ)
2	2008750102 2008751102	967130003	885961483	2000	8000
3	2008750103 2008751103	967130003	885961483	1800	7200
4	2008750104 2008751104	967130003	885961483	1600	6400
5	2008750105 2008751105	967130003	885961483	1400	5600
6	2008750106 2008751106	967130003	885961483	1000	4000
7	2008750107 2008751107	967130003	885961483	800	3200
8	2008750108 2008751108	967130003	885961483	700	2800
9	2008750109 2008751109	967130003	885961483	TBD	TBD
10	2008750110 2008751110	967130003	885961483	TBD	TBD
11	2008750111 2008751111	967130003	885961483	TBD	TBD
12	2008750112 2008751112	967130003	885961483	TBD	TBD

REVISION: B3	ECR/ECN INFORMATION: EC No: 725172 DATE: 2022/10/21	TITLE: BULK PACKAGING SPECIFICATION MICROFIT 200875 SERIES	SHEET No. 4 of 4
DOCUMENT NUMBER: 2008750000-PK	CREATED / REVISED BY: MKIPPER	CHECKED BY: SSOUSEK	APPROVED BY: FSMITH