

HCPL-270L/070L/273L/073L

Low Input Current, High Gain, LVTTL/LVCMOS Compatible Optocouplers

Description

These high gain series couplers use a Light Emitting Diode and an integrated high gain photodetector to provide extremely high current transfer ratio between input and output. Separate pins for the photodiode and output stage result in LVTTL compatible saturation voltages and high speed operation. Where desired, the VCC and VO terminals may be tied together to achieve conventional photo-darlington operation. A base access terminal allows a gain bandwidth adjustment to be made.

These optocouplers are for use in LVTTL/LVCMOS or other low power applications. A 400% minimum current transfer ratio is guaranteed over 0°C to +70°C operating range for only 0.5 mA of LED current.

The HCPL-070L and HCPL-073L are surface-mount devices packaged in an industry-standard SOIC-8 footprint.

The SOIC-8 does not require through holes in a PCB. This package occupies approximately one-third the footprint area of the standard dual-in-line package. The lead profile is designed to be compatible with standard surface-mount processes.

Features

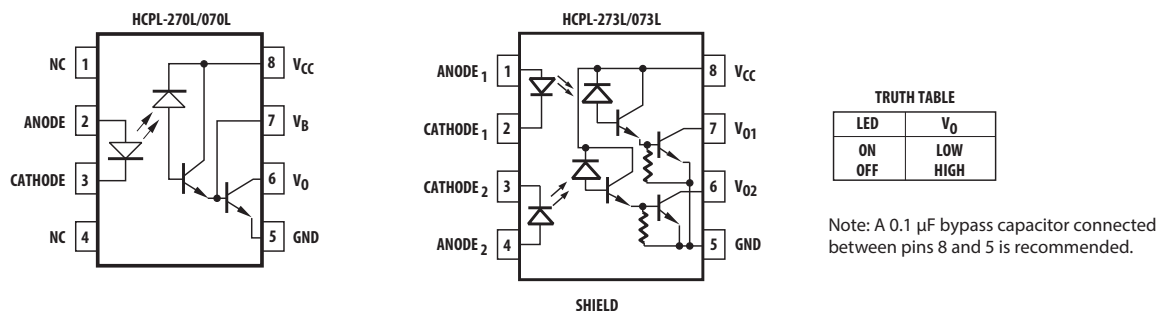
- 3.3 V/5 V dual supply voltages
- Low power consumption
- High current transfer ratio
- Low input current requirements: 0.5 mA
- LVTTL/LVCMOS compatible output
- Performance guaranteed over temperature 0°C to +70°C
- Base access allows gain bandwidth adjustment
- High output current: 60 mA
- Safety approval, UL, IEC/EN/DIN EN 60747-5-2, CSA

Applications

- Ground isolate most logic families: LVTTL/LVCMOS
- Low input current line receiver
- High voltage insulation
- EIA RS-232C line receiver
- Telephone ring detector
- V AC line voltage status indicator: low input power dissipation
- Low power systems: ground isolation

CAUTION! It is advised that normal static precautions be taken in handling and assembly of this component to prevent damage and/or degradation which may be induced by ESD.

Figure 1: Functional Diagram



Ordering Information

HCPL-270L, HCPL-273L, HCPL-070L and HCPL-073L are UL Recognized with 3750 Vrms for 1 minute per UL1577 and are approved under CSA Component Acceptance Notice #5, File CA 88324.

Part Number	Option		Package	Surface Mount	Gull Wing	Tape & Reel	UL 5000 Vrms/ 1 Minute Rating	IEC/EN/DIN EN 60747-5-2	Quantity
	RoHS Compliant	Non-RoHS Compliant							
HCPL-270L	-000E	no option	300 mil DIP-8	—	—	—	—	—	50 per tube
HCPL-273L	-300E	-300		X	X	—	—	—	50 per tube
	-500E	-500		X	X	X	—	—	1000 per reel
	-060E	-060		—	—	—	—	X	50 per tube
	-560E	-560		X	X	X	—	X	1000 per reel
HCPL-070L	-000E	no option	SO-8	X	—	—	—	—	100 per tube
HCPL-073L	-500E	-500		X	—	X	—	—	1500 per reel
	-060E	-060		X	—	—	—	X	100 per tube
	-560E	-560		X	—	X	—	X	1500 per reel

To order, choose a part number from the part number column and combine with the desired option from the option column to form an order entry.

Example 1:

HCPL-273L-500E to order product of 300 mil DIP Gull Wing Surface Mount package in Tape and Reel packaging with IEC/EN/DIN EN 60747-5-2 Safety Approval and RoHS compliant.

Example 2:

HCPL-273L to order product of 300 mil DIP package in Tube packaging and non RoHS compliant.

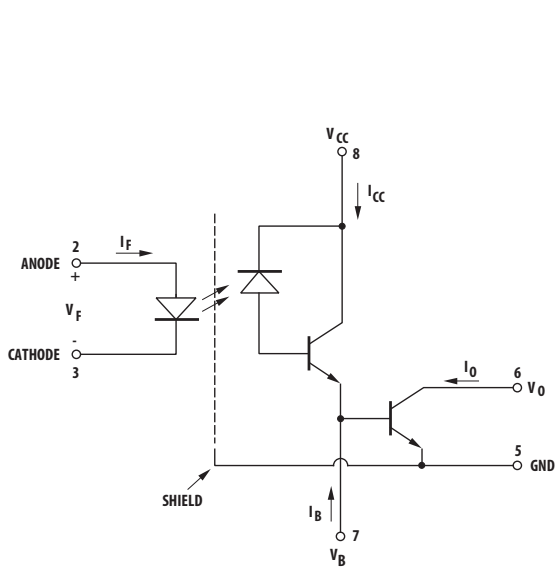
Option data sheets are available. Contact your Broadcom sales representative or authorized distributor for information.

Remarks: The notation #XXX is used for existing products, while (new) products launched since July 15, 2001 and RoHS compliant will use -XXxE.

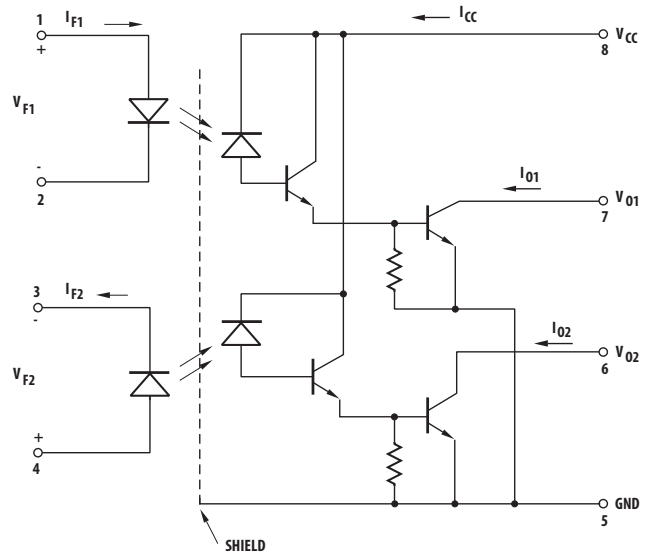
Selection Guide

8-Pin DIP (300 Mil)		Small Outline SO-8		Minimum Input ON Current (IF)	Minimum CTR
Single Channel Package HCPL-	Dual Channel Package HCPL-	Single Channel Package HCPL-	Dual Channel Package HCPL-		
270L	273L	070L	073L	0.5 mA	400%

Schematic



HCPL-270L/HCPL-070L

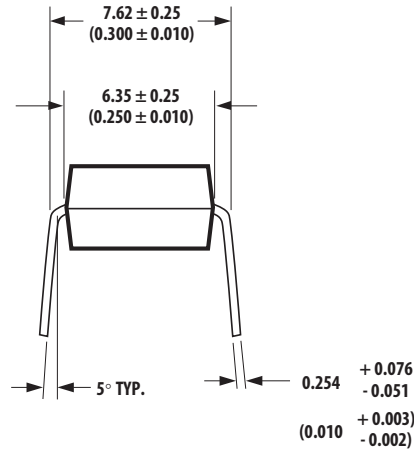
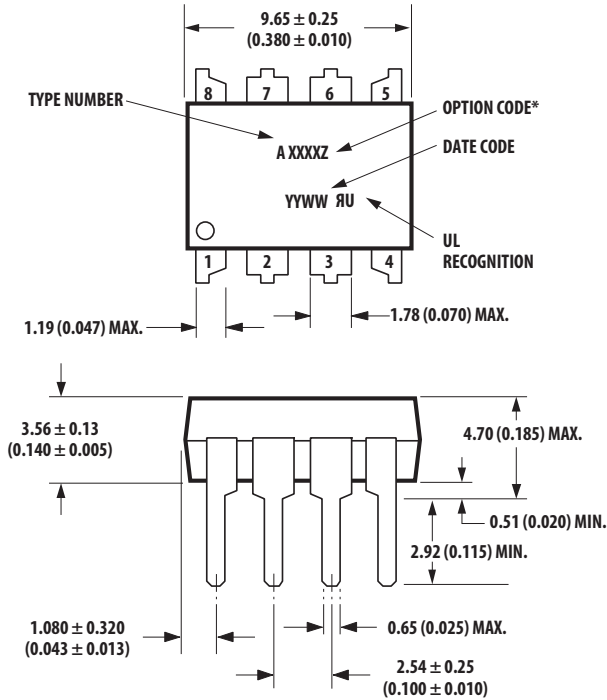


USE OF A 0.1 μF BYPASS CAPACITOR CONNECTED BETWEEN PINS 5 AND 8 IS RECOMMENDED

HCPL-273L/HCPL-073L

Package Outline Drawings

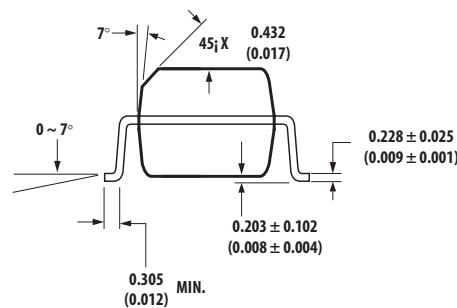
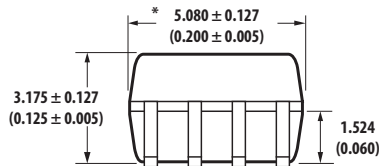
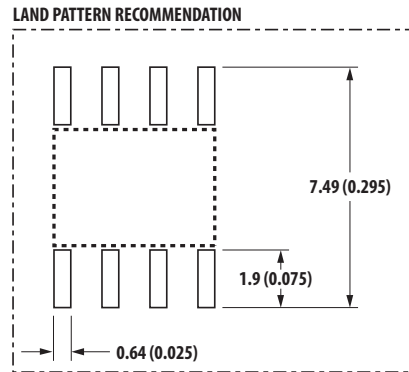
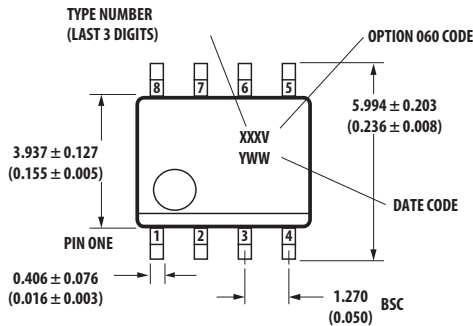
8-Pin DIP Package



DIMENSIONS IN MILLIMETERS AND (INCHES).
 * MARKING CODE LETTER FOR OPTION NUMBERS
 "L" = OPTION 020
 "V" = OPTION 060
 OPTION NUMBERS 300 AND 500 NOT MARKED.

NOTE: FLOATING LEAD PROTRUSION IS 0.25 mm (10 mils) MAX.

Small Outline SO-8 Package

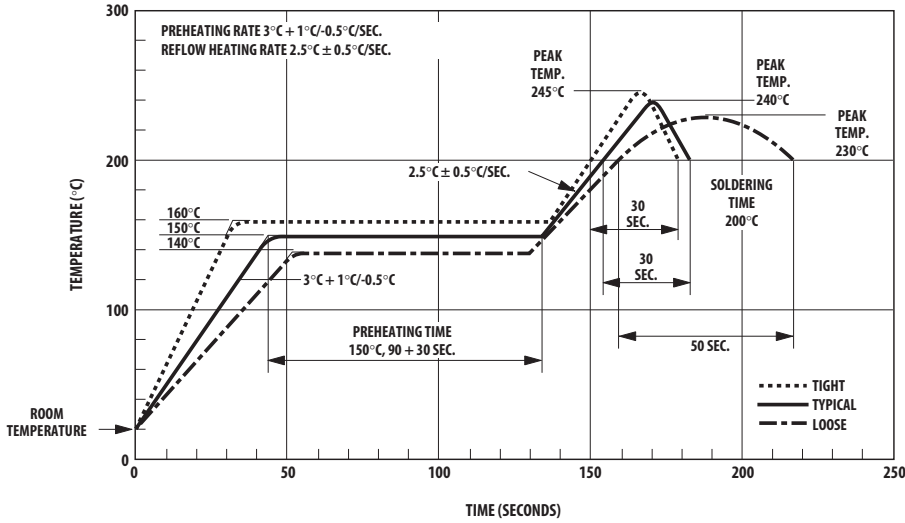


* TOTAL PACKAGE LENGTH (INCLUSIVE OF MOLD FLASH)
 5.207 ± 0.254 (0.205 ± 0.010)

DIMENSIONS IN MILLIMETERS (INCHES).
 LEAD COPLANARITY = 0.10 mm (0.004 INCHES) MAX.
 OPTION NUMBER 500 NOT MARKED.

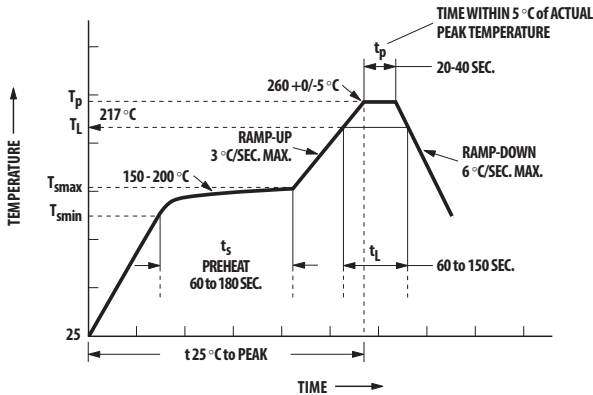
NOTE: FLOATING LEAD PROTRUSION IS 0.15 mm (6 mils) MAX.

Solder Reflow Temperature Profile



Note: Non-halide flux should be used.

Recommended Pb-Free IR Profile



NOTES:
 THE TIME FROM 25°C TO PEAK TEMPERATURE = 8 MINUTES MAX.
 $T_{smax} = 200^{\circ}\text{C}$, $T_{smin} = 150^{\circ}\text{C}$

Note: Non-halide flux should be used.

Regulatory Information

The devices contained in this data sheet have been approved by the following organizations:

- UL Approval under UL 1577, Component Recognition Program, File E55361.
- CSA Approval under CSA Component Acceptance Notice #5, File CA 88324.
- IEC/EN/DIN EN 60747-5-2

Approved under:

- IEC 60747-5-2:1997 + A1:2002
- EN 60747-5-2:2001 + A1:2002
- DIN EN 60747-5-2 (VDE 0884 Teil 2):2003-01 (Option 060 only)

Insulation and Safety Related Specifications

Parameter	Symbol	8-Pin DIP (300 Mil) Value	SO-8 Value	Unit	Conditions
Minimum External Air Gap (External Clearance)	L (101)	7.1	4.9	mm	Measured from input terminals to output terminals, shortest distance through air.
Minimum External Tracking (External Creepage)	L (102)	7.4	4.8	mm	Measured from input terminals to output terminals, shortest distance path along body.
Minimum Internal Plastic Gap (Internal Clearance)	—	0.08	0.08	mm	Through insulation distance, conductor to conductor, usually the direct distance between the photoemitter and photodetector inside the optocoupler cavity.
Tracking Resistance (Comparative Tracking Index)	CTI	200	200	Volts	DIN IEC 112/VDE 0303 Part 1.
Isolation Group	—	IIIa	IIIa	—	Material Group (DIN VDE 0110, 1/89, Table 1).

IEC/EN/DIN EN 60747-5-2 Insulation Related Characteristics

Description	Symbol	8-Pin DIP (300 Mil)	SO-8	Unit
Installation classification per DIN VDE 0110/1.89, Table 1	—	—	—	—
For rated mains voltage 150 V rms		—	I-IV	
For rated mains voltage 300 V rms		I-IV	I-III	
For rated mains voltage 600 V rms		I-III	I-II	
Climatic Classification	—	55/100/21	55/100/21	—
Pollution Degree (DIN VDE 0110/1.89)	—	2	2	—
Maximum Working Insulation Voltage	V_{IORM}	630	566	V_{peak}
Input to Output Test Voltage, Method b ^a $V_{PR} = 1.875 \times V_{IORM}$, 100% Production Test with $t_p = 1$ sec, Partial Discharge < 5 pC	V_{PR}	1181	1063	V_{peak}
Input to Output Test Voltage, Method a ^a $V_{PR} = 1.5 \times V_{IORM}$, Type and Sample Test, $t_p = 60$ sec, Partial Discharge < 5 pC	V_{PR}	945	849	V_{peak}
Highest Allowable Overvoltage (Transient Overvoltage, $t_{ini} = 10$ sec)	V_{IOTM}	6000	4000	V_{peak}
Safety Limiting Values (Maximum values allowed in the event of a failure.)	—	—	—	—
Case Temperature	T_S	175	150	°C
Current (Input Current I_F , $P_S = 0$)	$I_{S,INPUT}$	400	150	mA
Output Power	$P_{S,OUTPUT}$	600	600	mW
Insulation Resistance at T_S , $V_{IO} = 500$ V	R_S	$\geq 10^9$	$\geq 10^9$	Ω

a. Refer to the front of the optocoupler section of the current catalog, under Product Safety Regulations section, IEC/EN/DIN EN 60747-5-2, for a detailed description.

NOTE: Isolation characteristics are guaranteed only within the safety maximum ratings which must be ensured by protective circuits in application.

Absolute Maximum Ratings (No Derating Required up to +85 °C)

Parameter	Symbol	Min	Max	Unit
Storage Temperature	T_S	-55	125	°C
Operating Temperature	T_A	-40	85	°C
Average Forward Input Current	$I_{F(AVG)}$	—	20	mA
Peak Forward Input Current (50% Duty Cycle, 1 ms Pulse Width)	$I_{F(PEAK)}$	—	40	mA
Peak Transient Input Current ($<1 \mu s$ Pulse Width, 300 pps)	$I_{F(TRAN)}$	—	1.0	A
Reverse Input Voltage	V_R	—	5	V
Input Power Dissipation	P_I	—	35	mW
Output Current (Pin 6)	I_O	—	60	mA
Emitter Base Reverse Voltage (Pin 5-7)	V_{EB}	—	0.5	V
Supply Voltage and Output Voltage	V_{CC}	-0.5	7	V
Output Power Dissipation	P_O	—	100	mW
Total Power Dissipation	P_T	—	135	mW
Lead Solder Temperature (for Through Hole Devices)	260°C for 10 sec, 1.6 mm below seating plane.			
Reflow Temperature Profile (for SOIC-8 and Option #300)	See Package Outline Drawings section.			

Recommended Operating Conditions

Parameter	Symbol	Min	Max	Unit
Power Supply Voltage	V_{CC}	2.7	7.0	V
Forward Input Current (ON)	$I_{F(ON)}$	0.5	12.0	mA
Forward Input Voltage (OFF)	$V_{F(OFF)}$	0	0.8	V
Operating Temperature	T_A	0	70	°C

Electrical Specifications

$0^{\circ}\text{C} \leq T_A \leq +70^{\circ}\text{C}$, $2.7\text{ V} \leq V_{CC} \leq 3.3\text{ V}$, $0.5\text{ mA} \leq I_{F(\text{ON})} \leq 12\text{ mA}$, $0\text{ V} \leq V_{F(\text{OFF})} \leq 0.8\text{ V}$, unless otherwise specified. All typicals at $T_A = 25^{\circ}\text{C}$. (See Note 8.)

Parameter	Symbol	Device HCPL-	Min.	Typ. ^a	Max.	Unit	Test Conditions	Fig.	Note	
Current Transfer Ratio	CTR	—	400	1300	5000	%	$I_F = 0.5\text{ mA}$ $V_{CC} = 3.3\text{ V}$, $V_O = 0.4\text{ V}$	2, 3	2	
Logic Low Output Voltage	V_{OL}	—	—	0.05	0.3	V	$I_F = 1.6\text{ mA}$, $I_O = 8\text{ mA}$	$V_{CC} = 3.3\text{ V}$	—	—
			—	0.05	0.4	V	$I_F = 5.0\text{ mA}$, $I_O = 15\text{ mA}$	—	—	—
Logic High Output Current	I_{OH}	—	—	5	25	μA	$V_O = V_{CC} = 3.3\text{ V}$ $I_F = 0\text{ mA}$	—	2	
Logic Low Supply Current	I_{CCL}	270L/ 070L	—	0.4	1.3	mA	$V_{CC} = 3.3\text{ V}$	$I_{F1} = I_{F2} = 1.6\text{ mA}$	—	—
		273L/ 073L	—	0.8	2.7	mA		$V_{O1} = V_{O2} = \text{Open}$	—	—
Logic High Supply Current	I_{CCH}	270L/ 070L	—	0.002	1	μA	$V_{CC} = 3.3\text{ V}$	$I_{F1} = I_{F2} = 0\text{ mA}$	—	—
		273L/ 073L	—	0.002	2	μA		$V_{O1} = V_{O2} = \text{Open}$	—	—
Input Forward Voltage	V_F	—	—	1.5	1.7	V	$T_A = 25^{\circ}\text{C}$ $I_F = 1.6\text{ mA}$	4, 5	—	
Input Reverse Breakdown Voltage	BV_R	—	5.0	—	—	V	$I_R = 10\text{ }\mu\text{A}$, $T_A = 25^{\circ}\text{C}$	—	2	
Temperature Coefficient of Forward Voltage	$\Delta V_F / \Delta T_A$	—	—	-1.8	—	mV/ $^{\circ}\text{C}$	$I_F = 1.6\text{ mA}$	—	—	
Input Capacitance	C_{IN}	—	—	60	—	pF	$f = 1\text{ MHz}$, $V_F = 0$	—	2	

a. All typical values at $T_A = 25^{\circ}\text{C}$ and $V_{CC} = 3.3\text{ V}$, unless otherwise noted.

Electrical Specifications

$0^{\circ}\text{C} \leq T_A \leq +70^{\circ}\text{C}$, $4.5\text{ V} \leq V_{CC} \leq 7\text{ V}$, $0.5\text{ mA} \leq I_{F(\text{ON})} \leq 12\text{ mA}$, $0\text{ V} \leq V_{F(\text{OFF})} \leq 0.8\text{ V}$, unless otherwise specified. All typicals at $T_A = 25^{\circ}\text{C}$. (See Note 8.)

Parameter	Symbol	Device HCPL-	Min.	Typ. ^a	Max.	Unit	Test Conditions	Fig.	Note
Current Transfer Ratio	CTR	—	300	1600	2600	%	$I_F = 1.6\text{ mA}$, $V_{CC} = 4.5\text{ V}$, $V_O = 0.5\text{ V}$	3, 4	2
Logic Low Output Voltage	V_{OL}	—	—	0.1	0.4	V	$I_F = 1.6\text{ mA}$, $I_O = 4.8\text{ mA}$, $V_{CC} = 4.5\text{ V}$	2	—
Logic High Output Current	I_{OH}	—	—	0.1	250	μA	$V_O = V_{CC} = 7\text{ V}$, $I_F = 0\text{ mA}$	—	2
Logic Low Supply Current	I_{CCL}	—	—	0.9	3	mA	$V_{CC} = 7\text{ V}$, $I_{F1} = I_{F2} = 1.6\text{ mA}$, $V_{O1} = V_{O2} = \text{Open}$	6	—

Parameter	Symbol	Device HCPL-	Min.	Typ. ^a	Max.	Unit	Test Conditions	Fig.	Note
Logic High Supply Current	I_{CCH}	—	—	0.004	20	μA	$V_{CC} = 7\text{ V}$, $I_{F1} = I_{F2} = 0\text{ mA}$, $V_{O1} = V_{O2} = \text{Open}$	6	—
Input Forward Voltage	V_F	—	—	1.4	1.7	V	$T_A = 25^\circ\text{C}$	5	—
			—	—	1.75	V	$I_F = 1.6\text{ mA}$		
Input Reverse Breakdown Voltage	BV_R	—	5	—	—	V	$I_R = 10\ \mu\text{A}$, $T_A = 25^\circ\text{C}$	—	2
Temperature Coefficient of Forward Voltage	$\Delta V_F/\Delta T_A$	—	—	-1.8	—	$\text{mV}/^\circ\text{C}$	$I_F = 1.6\text{ mA}$	—	—
Input Capacitance	C_{IN}	—	—	60	—	pF	$f = 1\text{ MHz}$, $V_F = 0$	—	2

a. All typical values at $T_A = 25^\circ\text{C}$ and $V_{CC} = 5\text{ V}$, unless otherwise noted.

Switching Specifications (AC)

Over recommended operating conditions ($T_A = 0^\circ\text{C}$ to $+70^\circ\text{C}$), $V_{CC} = 3.3\text{ V}$, unless otherwise specified. (See Note 8.)

Parameter	Symbol	Min.	Typ. ^a	Max.	Unit	Test Conditions	Fig.	Note
Propagation Delay Time to Logic Low at Output	t_{PHL}	—	—	30	μs	$I_F = 0.5\text{ mA}$, $R_L = 4.7\text{ k}\Omega$	6	2
Propagation Delay Time to Logic High at Output	t_{PLH}	—	—	90	μs	$I_F = 0.5\text{ mA}$, $R_L = 4.7\text{ k}\Omega$	6	2
Common Mode Transient Immunity at Logic High Level Output	$ CM_H $	1000	10000	—	$\text{V}/\mu\text{s}$	$I_F = 0\text{ mA}$, $T_A = 25^\circ\text{C}$, $R_L = 2.2\text{ k}\Omega$, $ V_{CM} = 10\text{ V}_{p-p}$	7	2, 6, 7
Common Mode Transient Immunity at Logic Low Level Output	$ CM_L $	1000	10000	—	$\text{V}/\mu\text{s}$	$I_F = 1.6\text{ mA}$, $T_A = 25^\circ\text{C}$, $R_L = 2.2\text{ k}\Omega$, $ V_{CM} = 10\text{ V}_{p-p}$	7	2, 6, 7

a. All typical values at $T_A = 25^\circ\text{C}$ and $V_{CC} = 3.3\text{ V}$, unless otherwise noted.

Switching Specifications (AC)

Over recommended operating conditions ($T_A = 0^\circ\text{C}$ to $+70^\circ\text{C}$), $V_{CC} = 5\text{ V}$, unless otherwise specified. (See Note 8.)

Parameter	Symbol	Min.	Typ. ^a	Max.	Unit	Test Conditions	Fig.	Note
Propagation Delay Time to Logic Low at Output	t_{PHL}	—	—	25	μs	$I_F = 1.6\text{ mA}$, $R_L = 2.2\text{ k}\Omega$	7, 8, 9, 10	2
Propagation Delay Time to Logic High at Output	t_{PLH}	—	—	50	μs	$I_F = 1.6\text{ mA}$, $R_L = 2.2\text{ k}\Omega$	8, 9, 10	2
Common Mode Transient Immunity at Logic High Level Output	$ CM_H $	1000	10000	—	$\text{V}/\mu\text{s}$	$I_F = 0\text{ mA}$, $T_A = 25^\circ\text{C}$, $R_L = 2.2\text{ k}\Omega$, $ V_{CM} = 10\text{ V}_{p-p}$	11	2, 6, 7
Common Mode Transient Immunity at Logic Low Level Output	$ CM_L $	1000	10000	—	$\text{V}/\mu\text{s}$	$I_F = 1.6\text{ mA}$, $T_A = 25^\circ\text{C}$, $R_L = 2.2\text{ k}\Omega$, $ V_{CM} = 10\text{ V}_{p-p}$	11	2, 6, 7

a. All typical values at $T_A = 25^\circ\text{C}$ and $V_{CC} = 5\text{ V}$, unless otherwise noted.

Package Characteristics

Parameter	Symbol	Device HCPL-	Min	Typ ^a	Max	Unit	Test Conditions	Fig.	Note
Input-Output Momentary Withstand Voltage ^b	V _{ISO}	—	3750	—	—	Vrms	RH ≤ 50%, t = 1 min, T _A = 25°C	—	4, 9
Resistance (Input-Output)	R _{I-O}	—	—	10 ¹²	—	Ω	V _{I-O} = 500 Vdc, RH ≤ 45%	—	4
Capacitance (Input-Output)	C _{I-O}	—	—	0.6	—	pF	f = 1 MHz	—	11
Input-Input Insulation Leakage Current	I _{I-I}	—	0.005	—	—	μA	RH ≤ 45%, V _{I-I} = 500 Vdc	—	5
Input-Input Insulation Resistance	R _{I-I}	—	—	10 ¹¹	—	Ω	—	—	5
Capacitance (Input-Input)	C _{I-I}	270L	—	0.03	—	pF	—	—	5
		273L	—	—	—	pF			
		070L	—	0.25	—	pF			
		073L	—	—	—	pF			

a. All typical values at T_A = 25°C, unless otherwise noted.

b. The Input-Output Momentary Withstand Voltage is a dielectric voltage rating that should not be interpreted as an input-output continuous voltage rating. For the continuous voltage rating, refer to the IEC/EN/DIN EN 60747-5-2 Insulation Characteristics Table (if applicable), your equipment level safety specification, or Broadcom Application Note 1074, *Optocoupler Input-Output Endurance Voltage*.

Notes:

- Pin 5 should be the most negative voltage at the detector side.
- Each channel.
- DC Current Transfer Ratio (CTR) is defined as the ratio of output collector current, I_O, to the forward LED input current, I_F, times 100%.
- Device considered a two-terminal device: pins 1, 2, 3, and 4 shorted together, and pins 5, 6, 7, and 8 shorted together.
- Measured between pins 1 and 2 shorted together, and pins 3 and 4 shorted together.
- Common mode transient immunity in a Logic High level is the maximum tolerable (positive) dV_{CM}/dt of the common mode pulse, V_{CM}, to assure that the output will remain in a Logic High state (i.e., V_O > 2.0 V). Common mode transient immunity in a Logic Low level is the maximum tolerable (negative) dV_{CM}/dt of the common mode pulse, V_{CM}, to assure that the output will remain in a Logic Low state (i.e., V_O < 0.8 V).
- In applications where dV/dt may exceed 50,000 V/μs (such as static discharge) a series resistor, R_{CC}, should be included to protect the detector IC from destructively high surge currents. The recommended value is R_{CC} = 110 Ω.
- Use of a 0.1 μF bypass capacitor connected between pins 5 and 8 adjacent to the device is recommended.
- In accordance with UL 1577, each optocoupler is proof tested by applying an insulation test voltage > 4500 Vrms for 1 second (leakage detection current limit, I_{I-O} < 5 μA).
- In accordance with UL 1577, each optocoupler is proof tested by applying an insulation test voltage > 6000 Vrms for 1 second (leakage detection current limit, I_{I-O} < 5 μA).
- Measured between the LED anode and cathode shorted together and pins 5 through 8 shorted together.

Figure 2: Current Transfer Ratio vs. Forward Current

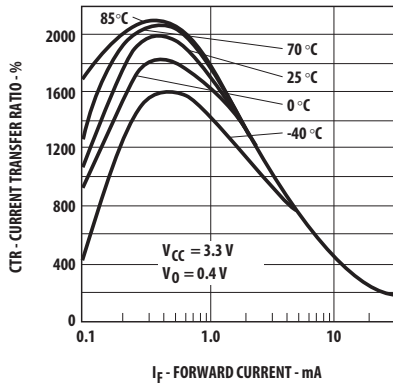


Figure 3: Current Transfer Ratio vs. Forward Current

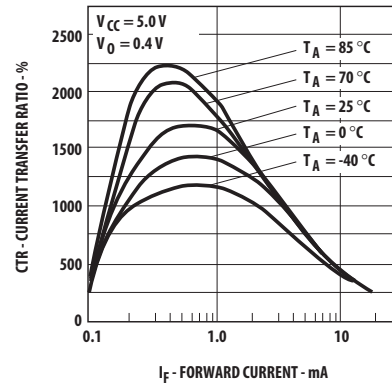


Figure 4: Output Current vs. Input Diode Forward Current

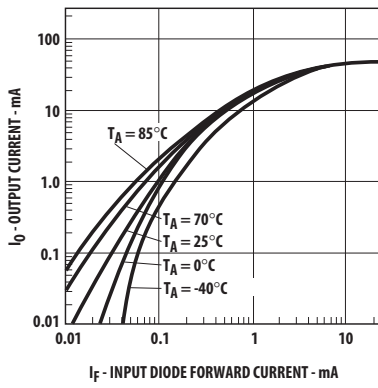


Figure 5: Output Current vs. Input Diode Forward Current

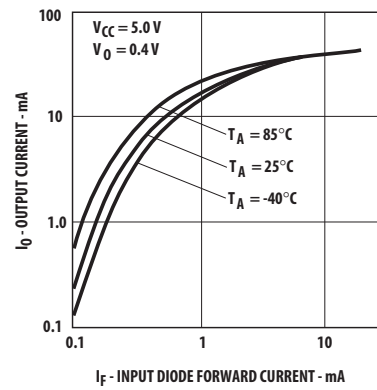


Figure 6: Input Diode Forward Current vs. Forward Voltage

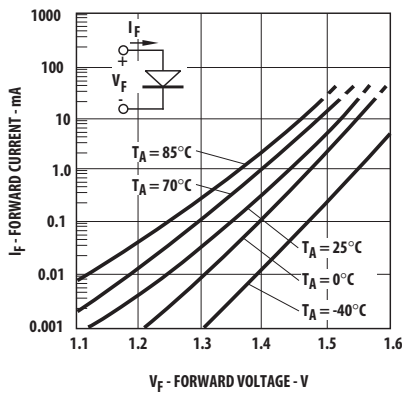


Figure 7: Forward Voltage vs. Temperature

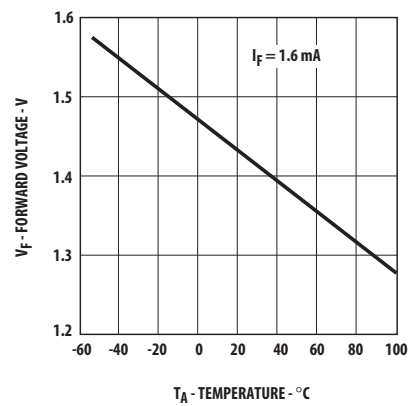


Figure 8: Switching Test Circuit

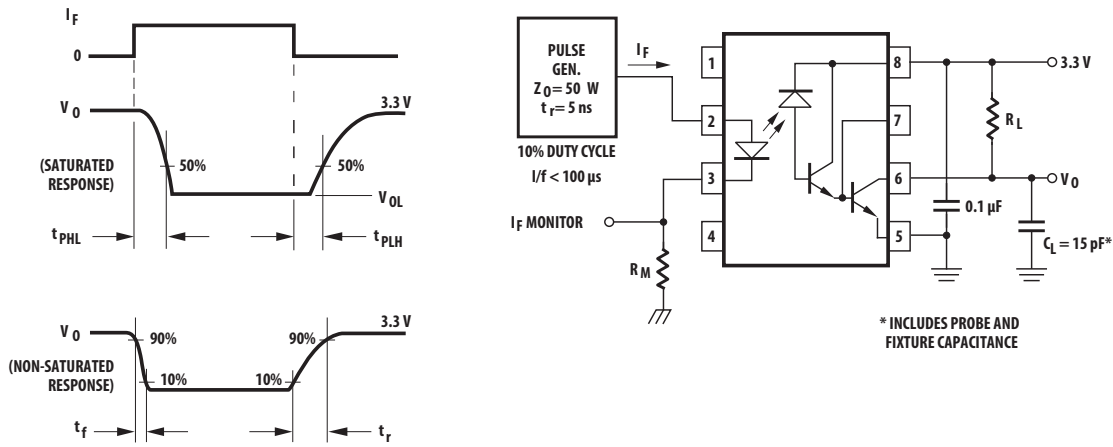


Figure 9: Switching Test Circuit

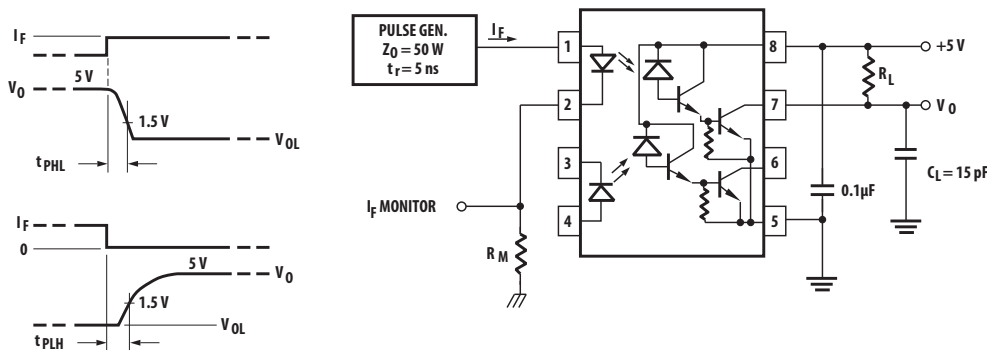


Figure 10: Test Circuit for Transient Immunity and Typical Waveforms

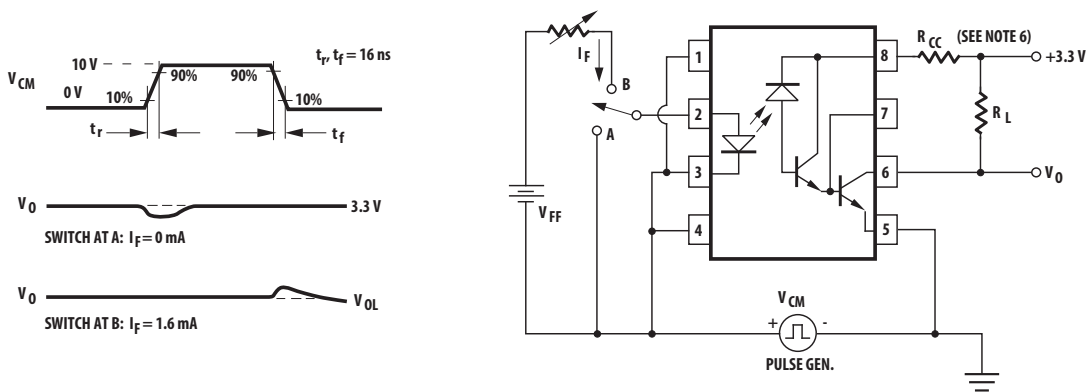
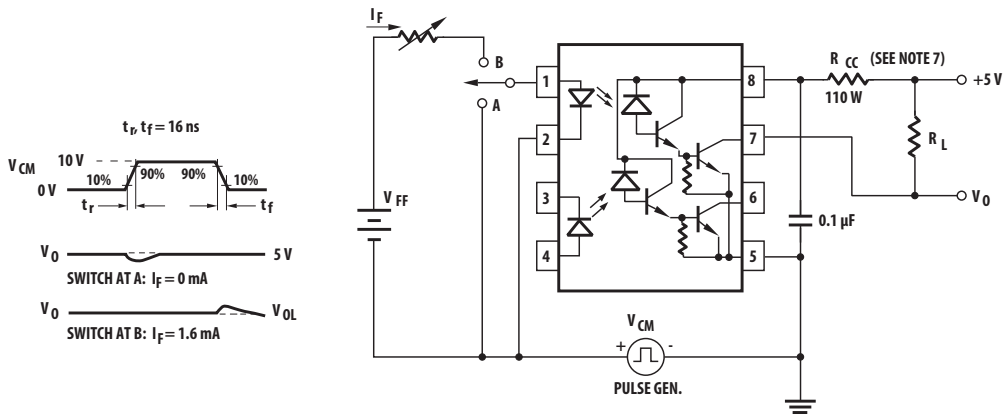


Figure 11: Test Circuit for Transient Immunity and Typical Waveforms



Copyright © 2015–2022 Broadcom. All Rights Reserved. The term “Broadcom” refers to Broadcom Inc. and/or its subsidiaries. For more information, go to www.broadcom.com. All trademarks, trade names, service marks, and logos referenced herein belong to their respective companies.

Broadcom reserves the right to make changes without further notice to any products or data herein to improve reliability, function, or design. Information furnished by Broadcom is believed to be accurate and reliable. However, Broadcom does not assume any liability arising out of the application or use of this information, nor the application or use of any product or circuit described herein, neither does it convey any license under its patent rights nor the rights of others.

