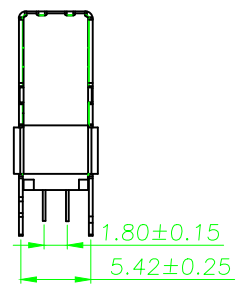
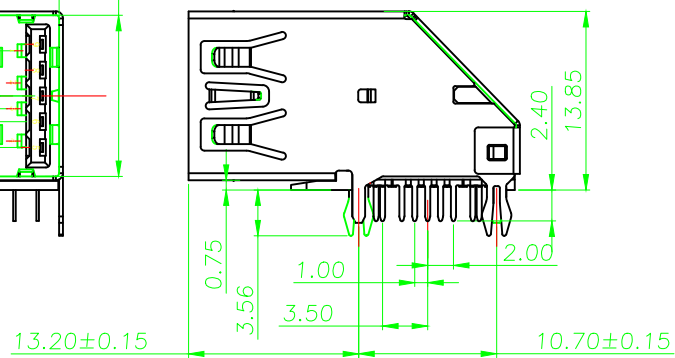
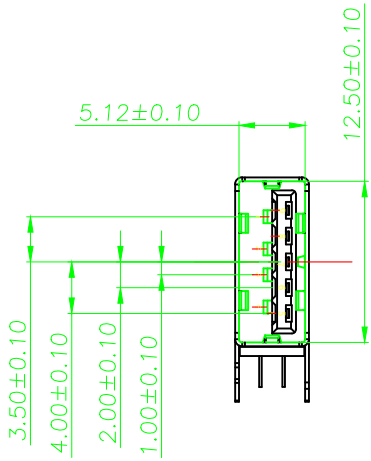


**SPECIFICATIONS:**  
 Contact current Rating:  
 1.8 Amperes for pin1&pin4.  
 0.25 Amperes other contacts  
 Dielectric Withstanding Voltage:AC 100V(RMS)  
 Insulation resistance:100Megohms Minimum.  
 Contact Resistance:  
 30m $\Omega$  Max for pin1&pin4  
 50m $\Omega$ Max for other contacts  
**Mechanical Characteristics:**  
 Mating Force:35 Newtoms.Maximum  
 Unmating Force:10 Newtoms.Mlimum  
 8N Min After Durability

**MATERIAL:**  
 Housing: PBT  
 Contact: copper alloy( T=0.2mm)  
 Shell: SUS304

**PLATING:**  
 Contact: Au Plated on contact area  
 Tin Plated on solder area  
 Nickel underplating over all  
 Shell: Nickel Plated  
 operating Temperature:-55°to+85°



料号备注

CU	3	F	209	D	XX	T	XX	X	X
----	---	---	-----	---	----	---	----	---	---

- 12=半金雾锡1U"
- 13=半金雾锡3U"
- 14=半金雾锡5U"
- 15=半金雾锡15U"
- 16=半金雾锡30U"

- 00=LCP蓝不锈  
钢壳镀镍
- 01=PBT蓝不锈  
钢壳镀镍

- R=ROHS2.0标准
- W=无卤+ROHS2.0
- H=REACH标准

- B=盐雾24H
- C=盐雾48H

# 深圳市虹成电子有限公司

Pin Number	Signal Name	Pin Number	Signal Name
1	VBUS	5	SSRX-
2	D-	6	SSRX+
3	D+	7	GND
4	GND	8	SSTX-
Shell	Shield	9	SSTX+

UNLESS OTHERWISE SPECIFIED <b>TOLERANCES</b>	X. +/-	0.35	APPROVAL	日期	2017.07.25	品名规格	USB-3.0侧插无边鱼叉脚		
	.X +/-	0.35		制图			料号	HC-USB3.0-L257-P	
	.XX +/-	0.25	审核		文件位置	字张		工程图号:	版本: A0
	FRACTIONS +/-	2.00"	核准				比例		
DIMENSIONS		(METRIC)	(MM)	ANGLE OF PROJECTION					

