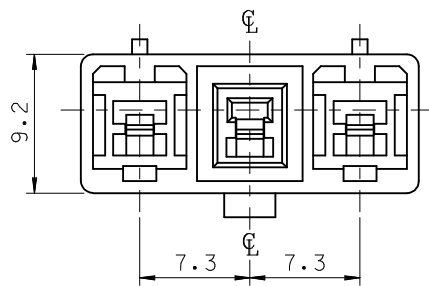
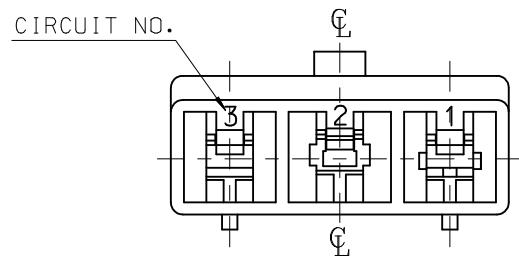
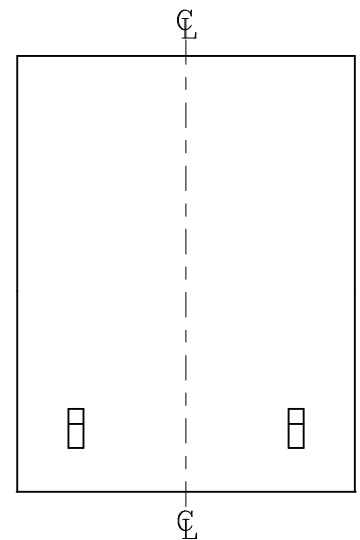
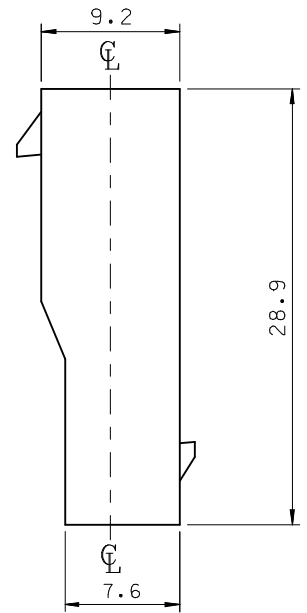
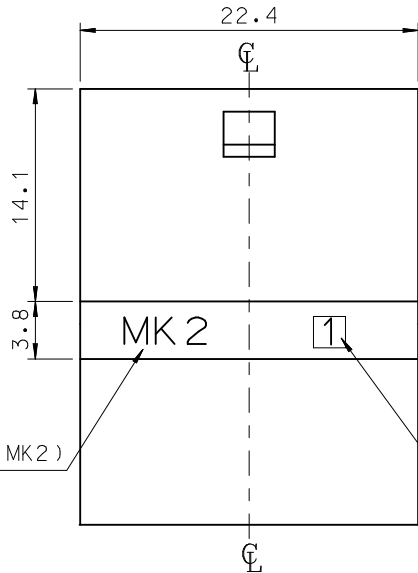
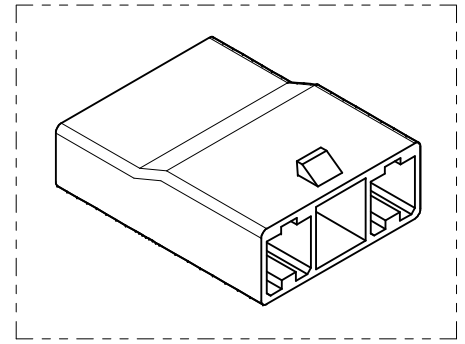


10 9 8 7 6 5 4 3 2 1



- NOTES
1. MATERIAL & COLOR : SEE TABLE
  - ② 2. MATCHED HOUSING : 35151-031\*  
35150-039\* (T.P.A)
  3. APPLICABLE TERMINAL : 35745-0\*10 (1 CIRCUIT)  
35746-0\*10 (2 CIRCUIT)  
35747-0\*10 (3 CIRCUIT)



NO	PRODUCT		MATERIAL	
	PART NO	MATERIAL NO	COLOR	DESCRIPTION
1	35150-0300	351500300	NATURAL	PBT
2	35150-0304	351500304	BLUE	(UL94V-0)
3	35150-0309	351500309	NATURAL	PBT/PC
4	35150-3309	351503309	YELLOW	(UL94V-0)

REVISED EC NO: KOR2014-0009 DRWN: JSSHIN 2013/08/12 CHKD: SICHU APPR: YSKI1M02 2013/09/03	QUALITY SYMBOLS ▽=0 ◻=0	GENERAL TOLERANCES (UNLESS SPECIFIED)		DIMENSION STYLE MM ONLY		SCALE 3:1	DESIGN UNITS METRIC	THIRD ANGLE PROJECTION	
			mm	INCH	DRAWN BY	DATE	TITLE		
		4 PLACES	± ---	± ---	JS.KANG	1995/12/11	7.3 PITCH W/W CONN MALE HSG-3P(W/O EAR)		
		3 PLACES	± ---	± ---	CHECKED BY	DATE	MOLEX INCORPORATED		
	2 PLACES	± ---	± ---	BK.CH01	1995/12/11	DOCUMENT NO.			
	1 PLACE	± 0.3	± ---	APPROVED BY	DATE	SHEET NO.			
	ANGULAR ± 1 °		MATERIAL NO.		SEE TABLE		SD-35150-030*		
	DRAFT WHERE APPLICABLE MUST REMAIN WITHIN DIMENSIONS		SIZE		THIS DRAWING CONTAINS INFORMATION THAT IS PROPRIETARY TO MOLEX INCORPORATED AND SHOULD NOT BE USED WITHOUT WRITTEN PERMISSION				
B1	REV			A3					

9 8 7 6 5 4 3 2 1