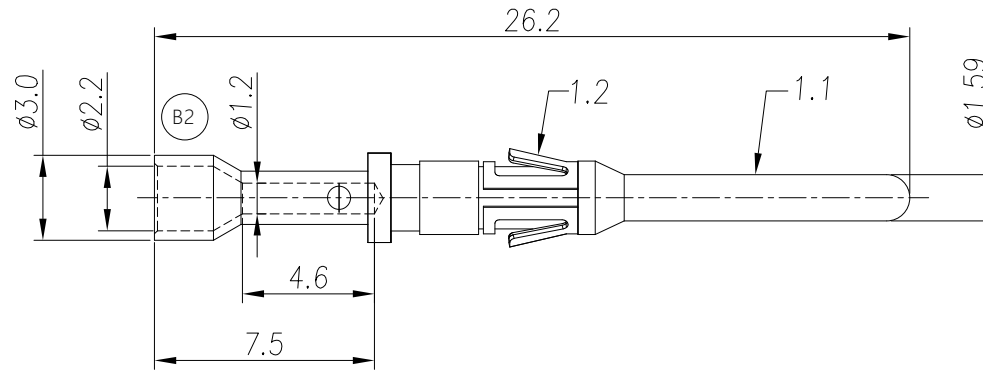


REVISIONS					
REV	ECO	DESCRIPTION	DATE	BY	APPR
B1	-	RELEASED DRAWING	JUN-18-2014	BEN	TOMMY
B2	-	Update drawing	Jun-21-18	Flan	Tommy



- NOTES: (UNLESS OTHERWISE SPECIFIED)
- MATERIAL:
 - CONTACT BODY: COPPER ALLOY.
 - POSITIONING CLIP: COPPER ALLOY.
 - SPECIFICATIONS:
 - CURRENT RATING: 13A(MAX).
 - TERMINATION TYPE: CRIMPING.
 - WIRE RANGE: 20~22AWG.
 - SUITABLE SOCKET TYPE: MS20M23XX.
 - RoHS COMPLIANT.
 - ALL DIMENSIONS ARE FOR REFERENCE USE ONLY.

P/N	CONTACT PLATING(MATING AREA)
MP20M23T	TIN PLATING OVER NICKEL.
MP20M23S	SILVER PLATING OVER NICKEL.
MP20M23F	GOLD FLASH PLATING OVER NICKEL.
MP20M23G5	5μ"GOLD PLATING OVER NICKEL.
MP20M23G10	10μ"GOLD PLATING OVER NICKEL.
MP20M23G15	15μ"GOLD PLATING OVER NICKEL.
MP20M23G30	30μ"GOLD PLATING OVER NICKEL.

QUANTITY	PART NUMBER	DESCRIPTION	ITEM										
MATERIALS LIST													
<small>UNLESS OTHERWISE SPECIFIED: 1) All dimensions are in metric(mm). 2) Tolerances are as follows: 1 PL DEC ±0.30 2 PL DEC ±0.15 3 PL DEC ±0.08 3) Note reference = </small>		<table border="1"> <thead> <tr> <th>SIGNATURES</th> <th>DATE</th> </tr> </thead> <tbody> <tr> <td>DRAWN: Flan</td> <td>Jun-21-18</td> </tr> <tr> <td>CHECKED: Tod</td> <td>Jun-21-18</td> </tr> <tr> <td>ENGINEER:</td> <td></td> </tr> <tr> <td>APPROVAL: Tommy</td> <td>Jun-21-18</td> </tr> </tbody> </table>	SIGNATURES	DATE	DRAWN: Flan	Jun-21-18	CHECKED: Tod	Jun-21-18	ENGINEER:		APPROVAL: Tommy	Jun-21-18	<h1>Amphenol</h1> <p>Sine Systems - www.amphenol-sine.com 44724 Morley Drive Clinton Township, MI 48036</p>
SIGNATURES	DATE												
DRAWN: Flan	Jun-21-18												
CHECKED: Tod	Jun-21-18												
ENGINEER:													
APPROVAL: Tommy	Jun-21-18												
<small>MATERIAL SPECIFICATIONS:</small> <small>PROCESS SPECIFICATIONS:</small> <small>NEXT ASSY:</small>		<small>CUSTOMER:</small> ECO-MATE, PIN CONTACT MACHINE, 20-22AWG, SIZE 16											
<small>THIS DRAWING IS SUPPLIED FOR INFORMATION ONLY. DESIGN FEATURES, SPECIFICATIONS AND PERFORMANCE DATA SHOWN HEREON ARE THE PROPERTY OF THE AMPHENOL CORPORATION. NO RIGHTS OF REPRODUCTION ARE IMPLIED. ALL DIMENSIONS ARE SUBJECT TO NORMAL MANUFACTURING VARIATIONS.</small>		<table border="1"> <tr> <td>SIZE: B</td> <td>TYPE: C-</td> <td>DWG NO: MP20M23XX</td> <td>REVISION: B2</td> </tr> <tr> <td colspan="2">SCALE: NONE</td> <td colspan="2">SHEET 1 OF 1</td> </tr> </table>	SIZE: B	TYPE: C-	DWG NO: MP20M23XX	REVISION: B2	SCALE: NONE		SHEET 1 OF 1				
SIZE: B	TYPE: C-	DWG NO: MP20M23XX	REVISION: B2										
SCALE: NONE		SHEET 1 OF 1											

TITLE: ECO-MATE PIN CONTACT MACHINE, 20-22AWG, SIZE 16
 DWG NO: MP20M23XX
 REV: B2
 SH: 1
 OF: 1