

## CTHCIFW2721F Series

From 10 $\mu$ H to 27 $\mu$ H

### SPECIFICATIONS

\*Inductance measure condition @ 100kHz, 0.1V

\*\*Isat: Value of inductance decrease within 30%

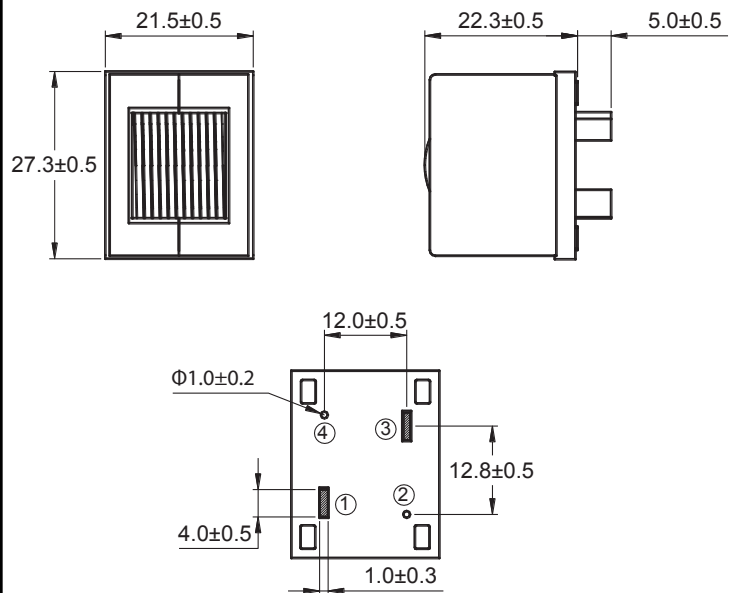
\*\*\*Temp. Rise Current: Value of DC current when the temperature rise is  $\Delta T40^{\circ}\text{C}$  ( $T_a=25^{\circ}\text{C}$ )

Part Number	*Inductance $\pm 20\%$ ( $\mu\text{H}$ )	DCR Typ. (Max.) (m $\Omega$ )	**Isat Typ. (A)	***Temperature Rise Current Typ. (A)
	CTHCIFW2721F-100M	10.0	3.60(4.10)	95.0
CTHCIFW2721F-120M	12.0	3.60(4.10)	80.0	25.0
CTHCIFW2721F-150M	15.0	3.60(4.10)	63.0	25.0
CTHCIFW2721F-180M	18.0	3.60(4.10)	48.0	25.0
CTHCIFW2721F-220M	22.0	3.60(4.10)	33.0	25.0
CTHCIFW2721F-270M	27.0	3.60(4.10)	30.0	25.0



### PHYSICAL DIMENSIONS

Unit: mm



### CHARACTERISTICS

**Description:** High current power inductors

**Features:**

- Sturdy structure
- High inductance, high current, low magnetic loss, low ESR, small parasitic capacitance
- Flat wire winding, achieve a low D.C. Resistance
- Temperature rise current and saturation current is less influenced by environment
- Semi-shielded design

**Applications:** Medical equipment, industrial control, new energy, etc.

**Operating Temperature:** -40 $^{\circ}\text{C}$  to +125 $^{\circ}\text{C}$  (including coil's temperature rise)

**Inductance tolerance:**  $\pm 20\%$

**Marking:** Parts marked with inductance code

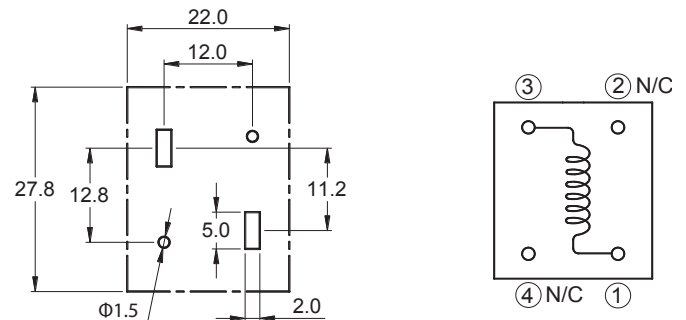
**Packaging:** Tray packaging

**Miscellaneous:** **RoHS Compliant**

**Samples Available:** See website for ordering information

### RECOMMENDED PC BOARD LAYOUT & SCHEMATIC

Unit: mm



## SATURATION CURRENT VS. TEMPERATURE RISE CURRENT CURVE

