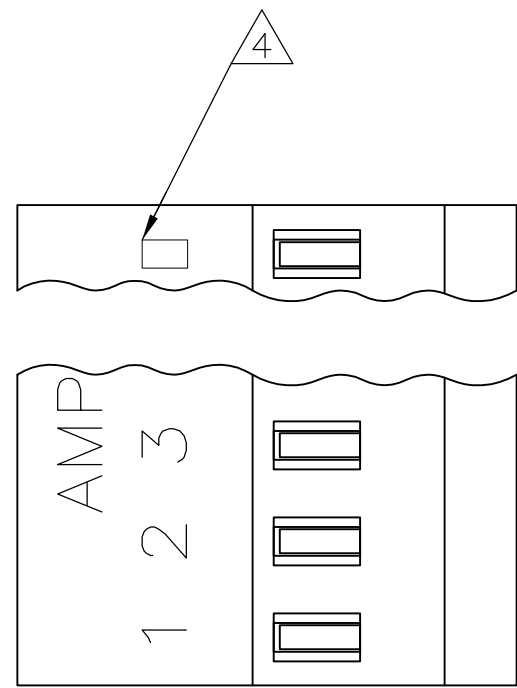
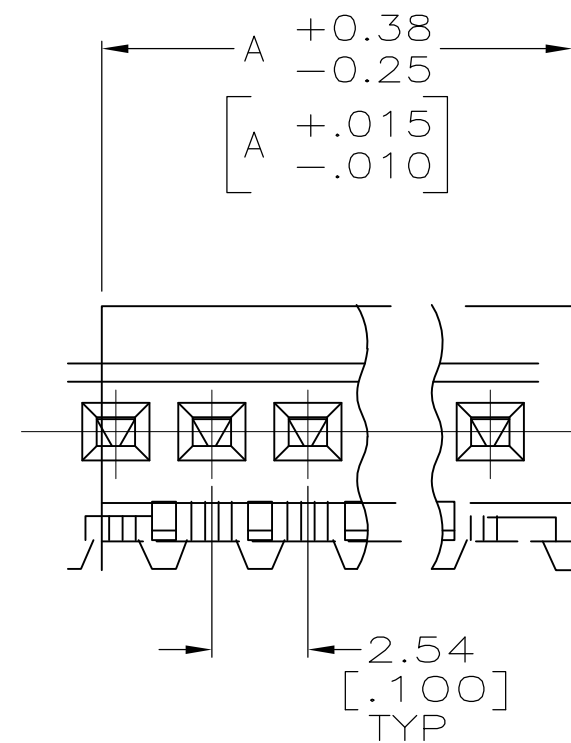
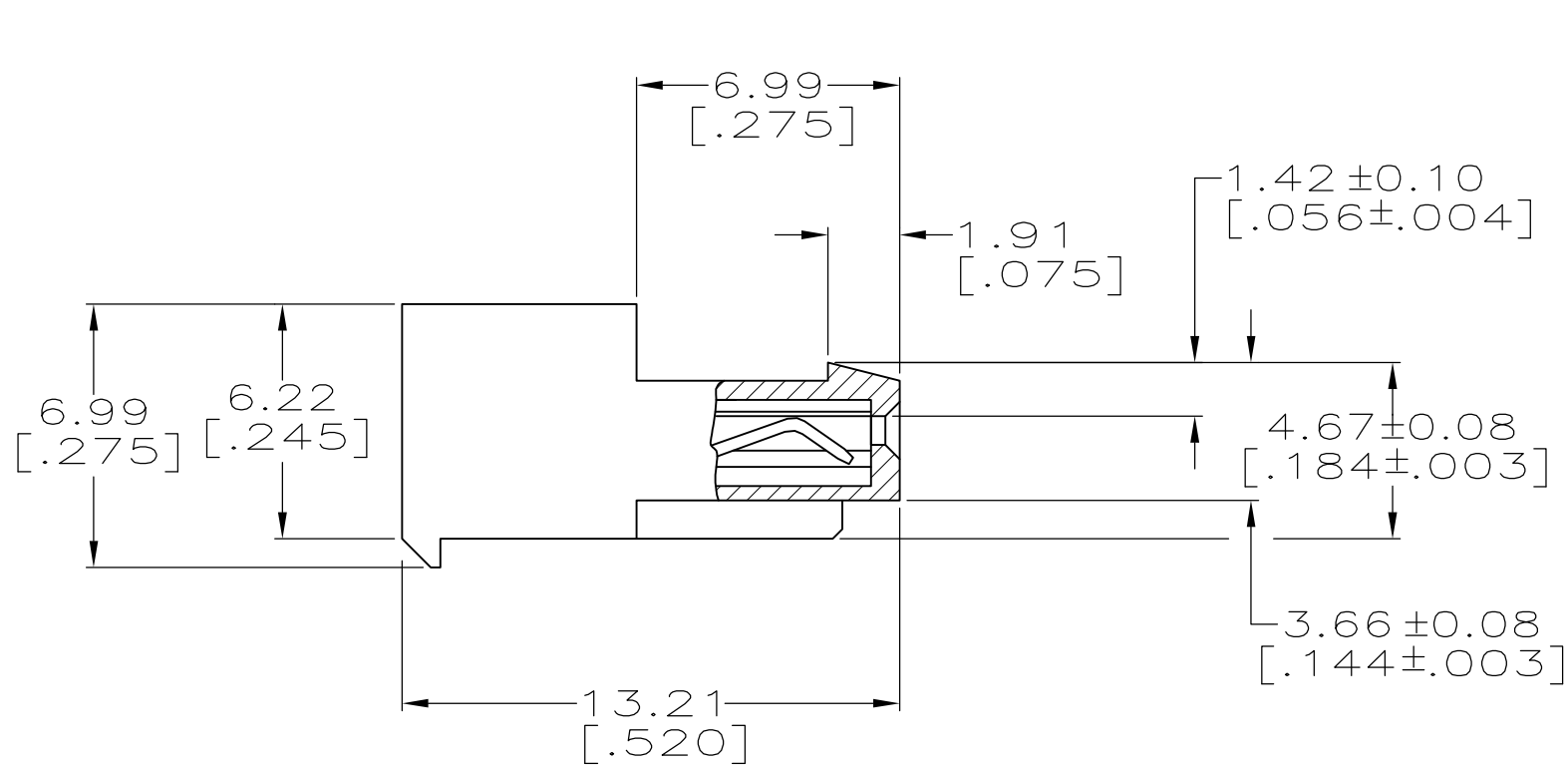


THIS DRAWING IS UNPUBLISHED. RELEASED FOR PUBLICATION  
 © COPYRIGHT - By - ALL RIGHTS RESERVED.

LOC	DIST	REVISIONS					
		P	LTR	DESCRIPTION	DATE	DWN	APVD
CM	00	B3		REVISED PER ECR-17-018813	08FEB2018	BDA	SG



△7 OBSOLETE PARTS: OBSOLETE CIS STREAMLINING PER D.RENAUD/D.SINISI  
 △8 OBSOLETE PARTS



- △7 SUPSD BY 4-6445774-5
- △7 SUPSD BY 4-6445774-4
- △7 SUPSD BY 4-6445774-3
- △7 SUPSD BY 4-6445774-2
- △7 SUPSD BY 4-6445774-1
- △7 SUPSD BY 4-6445774-0
- △7 SUPSD BY 3-6445774-9
- △7 SUPSD BY 3-6445774-8
- △7 SUPSD BY 3-6445774-7
- △7 SUPSD BY 3-6445774-6
- △7 SUPSD BY 3-6445774-5
- △8 SUPSD BY 3-6445774-4
- △8 SUPSD BY 3-6445774-3
- △8 SUPSD BY 3-6445774-2

LEAD	DIM A	NO. OF POSN	ASSEMBLY
38.10	[1.500]	15	4-644574-5
35.56	[1.400]	14	4-644574-4
33.02	[1.300]	13	4-644574-3
30.48	[1.200]	12	4-644574-2
27.94	[1.100]	11	4-644574-1
25.40	[1.000]	10	4-644574-0
22.86	[.900]	9	3-644574-9
20.32	[.800]	8	3-644574-8
17.78	[.700]	7	3-644574-7
15.24	[.600]	6	3-644574-6
12.70	[.500]	5	3-644574-5
10.16	[.400]	4	3-644574-4
7.62	[.300]	3	3-644574-3
5.08	[.200]	2	3-644574-2

CONTAINS	LEAD	DIM A	NO. OF POSN	ASSEMBLY
38.10	[1.500]	15	1-644574-5	
35.56	[1.400]	14	1-644574-4	
33.02	[1.300]	13	1-644574-3	
30.48	[1.200]	12	1-644574-2	
27.94	[1.100]	11	1-644574-1	
25.40	[1.000]	10	1-644574-0	
22.86	[.900]	9	644574-9	
20.32	[.800]	8	644574-8	
17.78	[.700]	7	644574-7	
15.24	[.600]	6	644574-6	
12.70	[.500]	5	644574-5	
10.16	[.400]	4	644574-4	
7.62	[.300]	3	644574-3	
5.08	[.200]	2	644574-2	

△ MATERIAL: CONNECTOR-NYLON UL94V-0 (BLACK).  
 CONTACTS-0.30 [.012] THICK COPPER ALLOY  
 BRIGHT TIN-LEAD 0.00203 [.000080] MIN THICK FOR CONTACTS  
 644574-2 THRU 1-644574-5  
 MATTE WHISKER MITIGATED TIN PLATE 0.00203 [.000080] MIN THICK  
 OVER 0.00076 [.000030] MIN THICK NICKEL FOR CONTACTS  
 3-644574-2 THRU 4-644574-5

2. CONTACTS ACCEPT 24 AWG WIRE WITH 1.52 [.060] MAX INSULATION DIAMETER.
3. CONTACTS MUST ACCEPT 0.64±0.03 [.025±.001] SQUARE POST AND REMAIN LOCKED IN POSITION.
- △ IDENTIFICATION NUMBER FOR LAST CIRCUIT MAY NOT APPEAR ON ALL ASSEMBLIES.
5. DIMENSIONS IN BRACKETS ARE IN INCHES.
6. HOUSING FEATURES ARE: CLOSED END WITH LOCKING RAMP.

THIS DRAWING IS A CONTROLLED DOCUMENT.		DWN S. HOOVER 03-DEC-2004		TE Connectivity	
DIMENSIONS: mm [INCHES]		CHK D. BOSSI 03-DEC-2004		NAME MTA .100 CONNECTOR ASSEMBLY 24 AWG, UL94V-0, SPECIAL	
TOLERANCES UNLESS OTHERWISE SPECIFIED:		APVD D. BOSSI 03-DEC-2004	PRODUCT SPEC 108-1050		
0 PLC ±		APPLICATION SPEC 114-1019			
1 PLC ±		SIZE A2			
2 PLC ± 0.13 [.005]		CAGE CODE 00779			
3 PLC ±		DRAWING NO C=644574			
4 PLC ±		RESTRICTED TO			
ANGLES ±		SCALE 5:1			
FINISH		SHEET 1 OF 1			
MATERIAL △		REV B3			
FINISH △		CUSTOMER DRAWING			