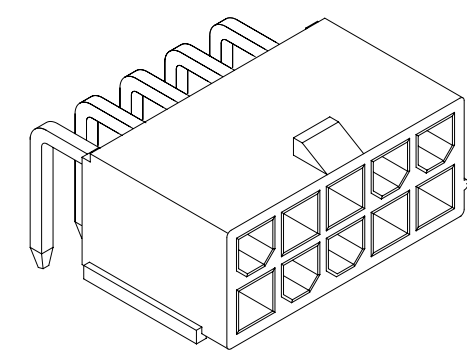
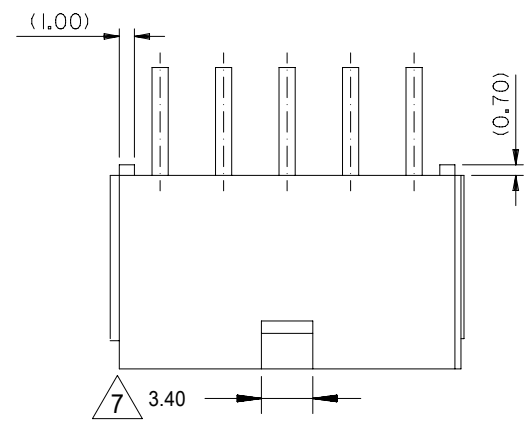


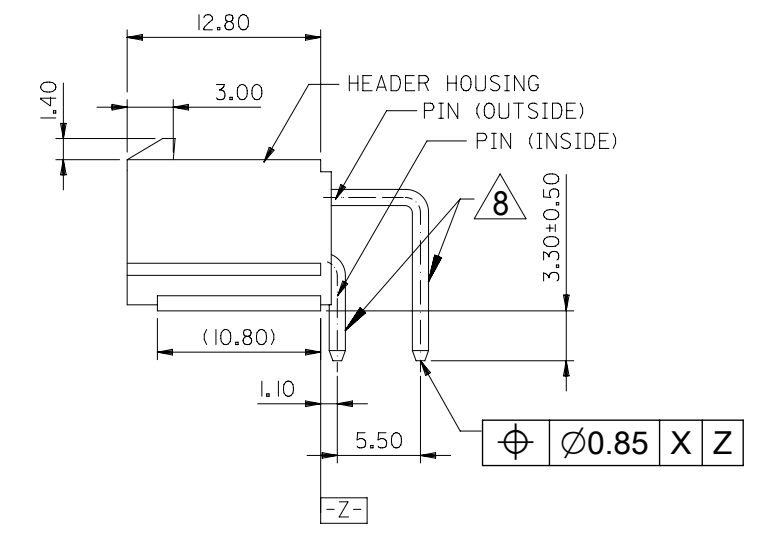
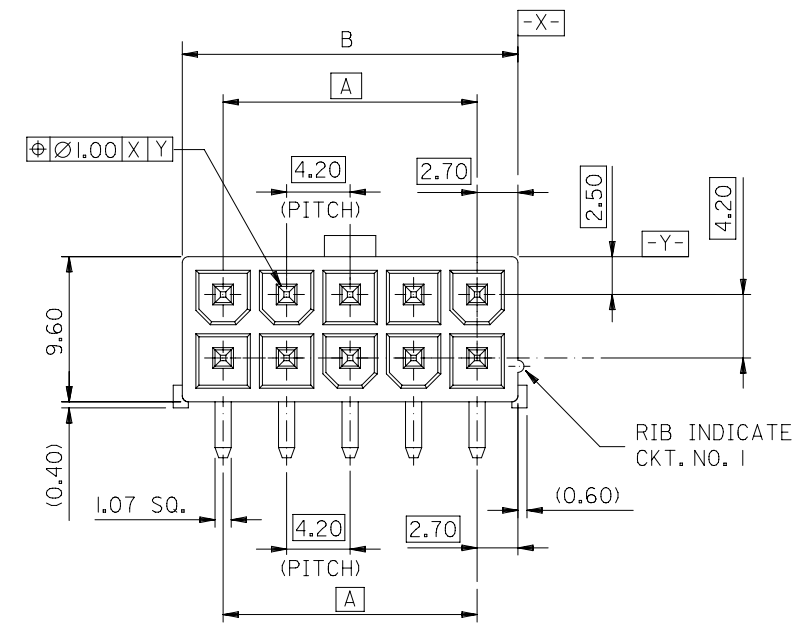
51.60±0.55	46.20	24
47.40±0.55	42.00	22
43.20±0.50	37.80	20
39.00±0.45	33.60	18
34.80±0.35	29.40	16
30.60±0.30	25.20	14
26.40±0.30	21.00	12
22.20±0.30	16.80	10
18.00±0.30	12.60	8
13.80±0.25	8.40	6
9.60±0.25	4.20	4
5.40±0.20	--	2
B	A	CKT. SIZE



**ISOMETRIC VIEW**

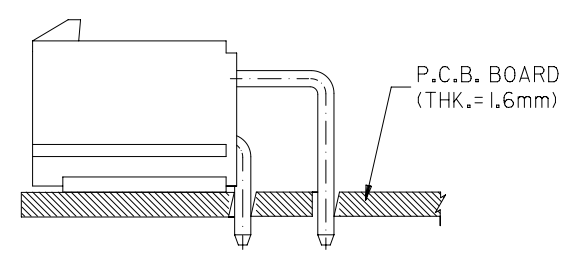
**LEGEND**

- 87427-\*\*\*\*
- CKT. SIZE (SEE SHEET 2).
- PLATING OPTIONS  
 2 = NOTE/2.2  
 4 = NOTE/2.2
- PACKAGING & COLOR OPTIONS 4  
 0 = TRAY PACKED - COLOR BEIGE  
 2 = TUBE PACKED - COLOR BEIGE  
 3 = TAPE & REEL PACKED - COLOR BEIGE  
 7 = TRAY PACKED - COLOR BLACK

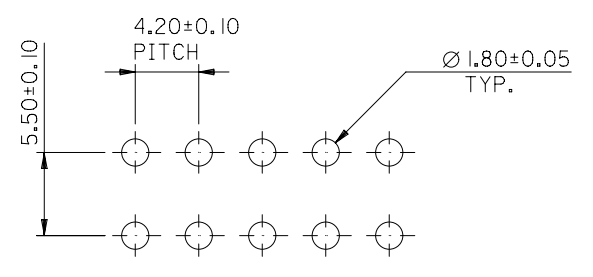


**NOTES**

- MATERIALS:  
 - HEADER: NYLON 46, UL94V-0, COLOR SEE LEGEND.  
 - PIN: BRASS
- FINISH- PLATING OF PIN:  
 2.2 MATTE TIN .00254 MIN. OVER NICKEL .00127 MIN.
- PRODUCT SPECIFICATION: PS-87427-0001.
- PACKAGING SPECIFICATION:  
 TRAY PACK PER PK-87427-001.  
 TAPE & REEL PACK PER PK-87427-009.
- MATES WITH: MINI-FIT JR. RECEPTACLE SERIES 5557.
- THESE PARTS CONFORM TO CLASS "B" REQUIREMENTS OF COSMETIC SPECIFICATION PS-45499-002.
- THIS DIMENSION IS 4.2 ON 2 CKT PARTS.
- FORMING MARKS ARE ACCEPTABLE
- DISCOLORATION IN THE BANDOLIER CARRIER AREA OF THE PIN IS INHERENT TO THE PLATING PROCESS AND IS DUE TO THE MASKING EFFECT OF THE CARRIER. THIS DISCOLORATION IS IN A NON-FUNCTIONAL AREA OF THE PIN AND WILL NOT AFFECT THE PERFORMANCE OF THE HEADER ASSEMBLY.
- PARTS ARE NOT DESIGNED FOR CURRENT SHARING.
- CONNECTORS ARE NOT TO BE MATED AND UNMATED WHILE CIRCUITS ARE LIVE.



**RECOMMENDED INSTALLATION PATTERN**



**RECOMMENDED P.C.B. LAYOUT**

THIS DRAWING CONTAINS INFORMATION THAT IS PROPRIETARY TO MOLEX ELECTRONIC TECHNOLOGIES, LLC AND SHOULD NOT BE USED WITHOUT WRITTEN PERMISSION									
SYMBOLS		DIMENSION UNITS		SCALE		CURRENT REV DESC: ADDED T&R P/N'S			
▽ = 0	▽ = 0	MM ONLY		2:1		<b>molex</b> 4.2MM W-T-B, RIGHT ANGLE HEADER WITHOUT MOUNTING FLANGES			
▽ = 0	▽ = 0	GENERAL TOLERANCES (UNLESS SPECIFIED)							
▽ = 0	▽ = 0			MM	INCH	EC NO: 643503 DRWN: EHAUGERUD 2020/08/17 CHK'D: DSTEIER 2020/08/26 APPR: FSMITH 2020/08/27			
▽ = 0	▽ = 0	4 PLACES ±		±	±	INITIAL REVISION:			
▽ = 0	▽ = 0	3 PLACES ±		±	±	DRWN: STEVEN 1995/02/27 APPR: FSMITH 2010/04/09			
▽ = 0	▽ = 0	2 PLACES ±		0.2	±	DOCUMENT NUMBER: 874270000-SD DOC TYPE: PSD DOC PART: 000 REVISION: A1			
▽ = 0	▽ = 0	1 PLACE ±		0.2	±	MATERIAL NUMBER: SEE CHART CUSTOMER: GENERAL MARKET SHEET NUMBER: 1 OF 2			
▽ = 0	▽ = 0	0 PLACES ±		±	±	DRAFT WHERE APPLICABLE MUST REMAIN WITHIN DIMENSIONS THIRD ANGLE PROJECTION DRAWING: C-SIZE SERIES: 87427			
▽ = 0	▽ = 0	ANGULAR TOL ±		3.0 °					

