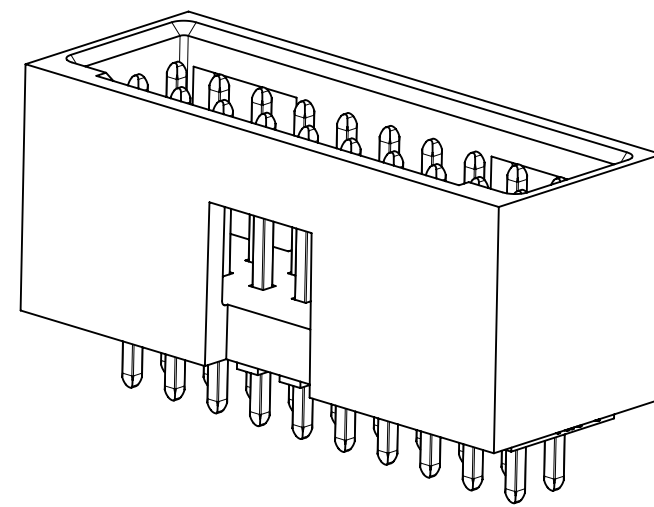
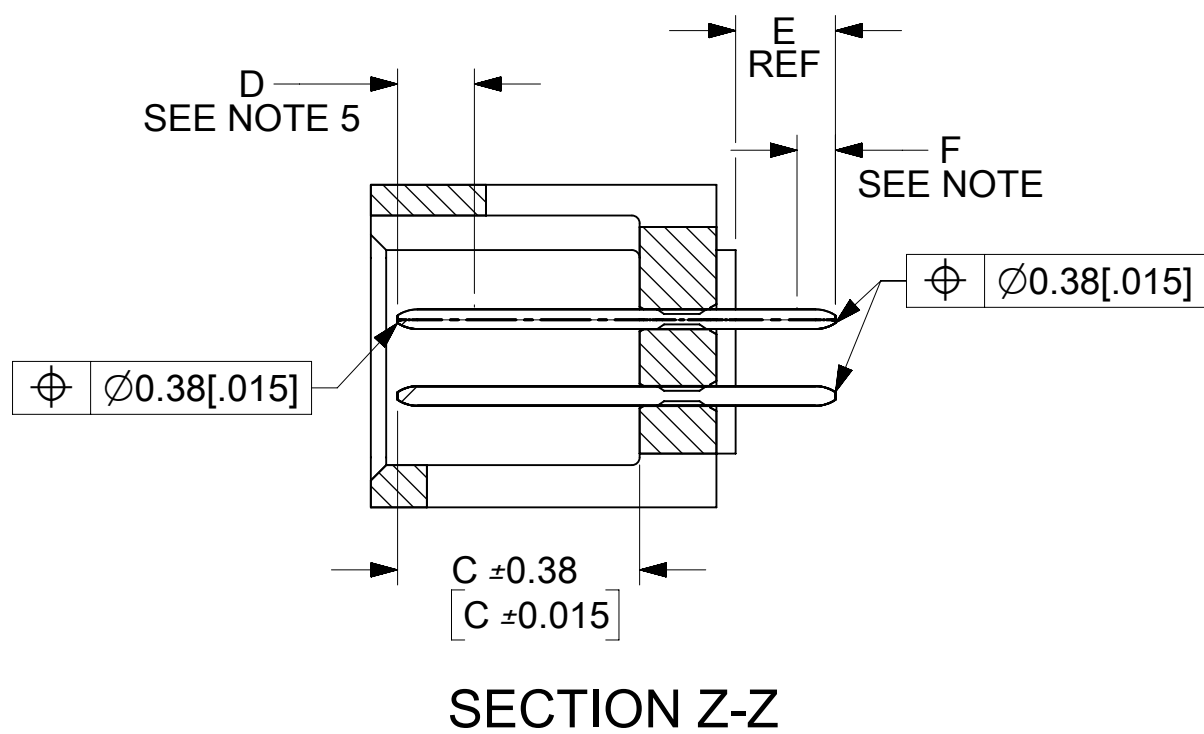
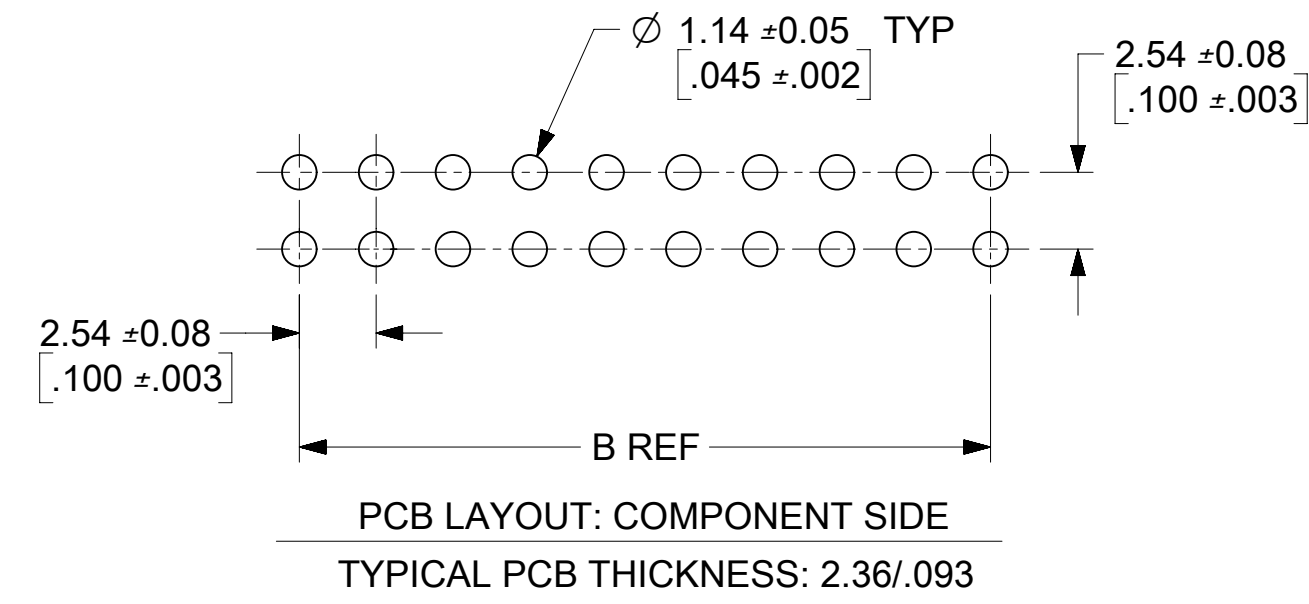
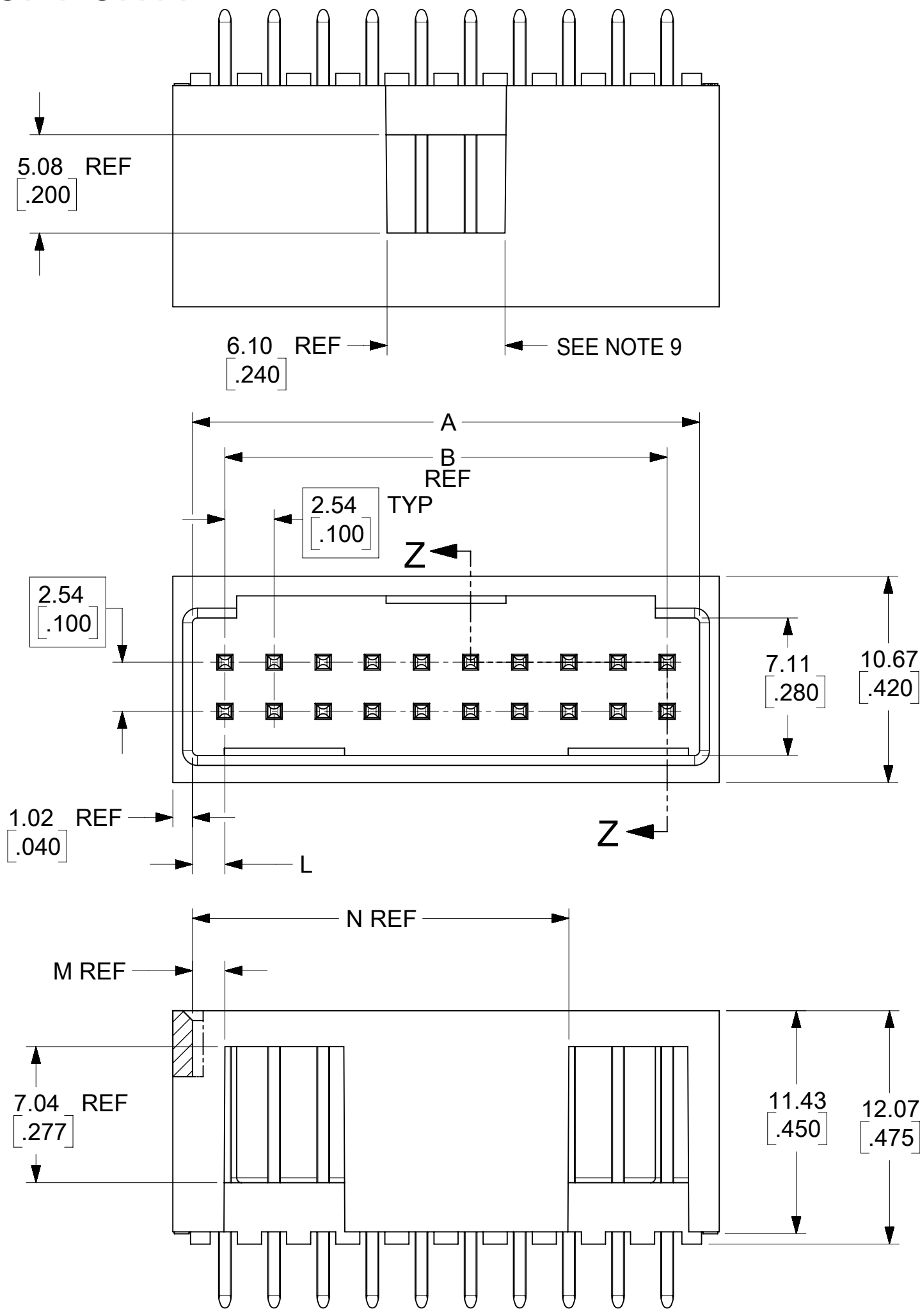


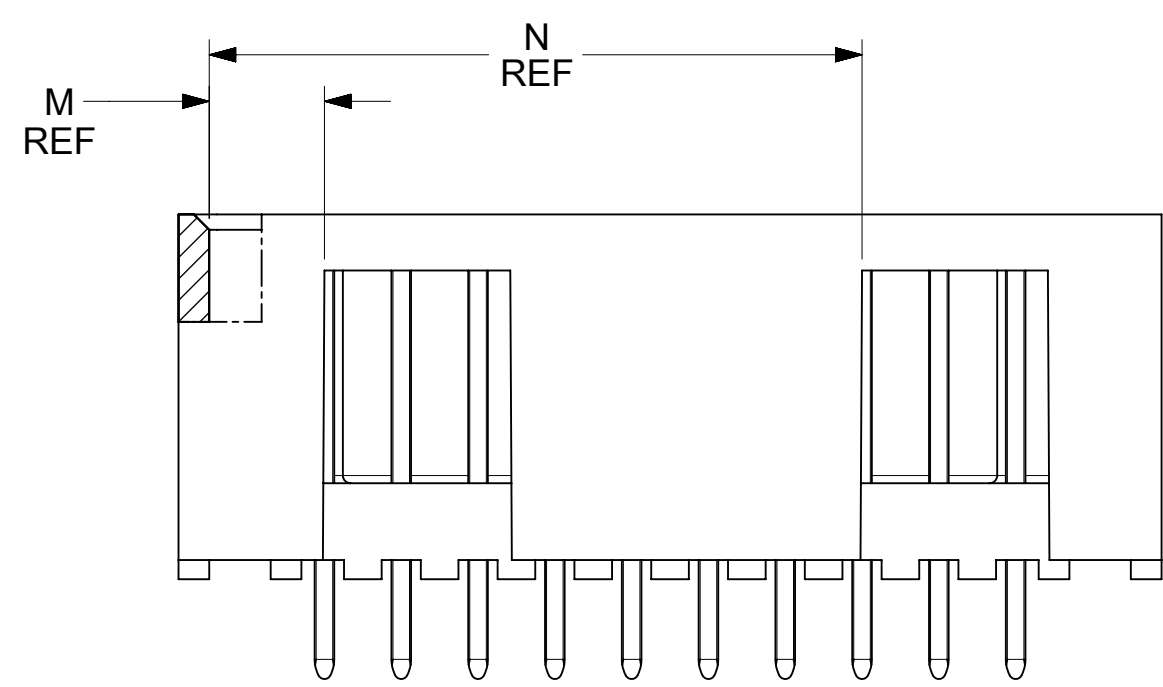
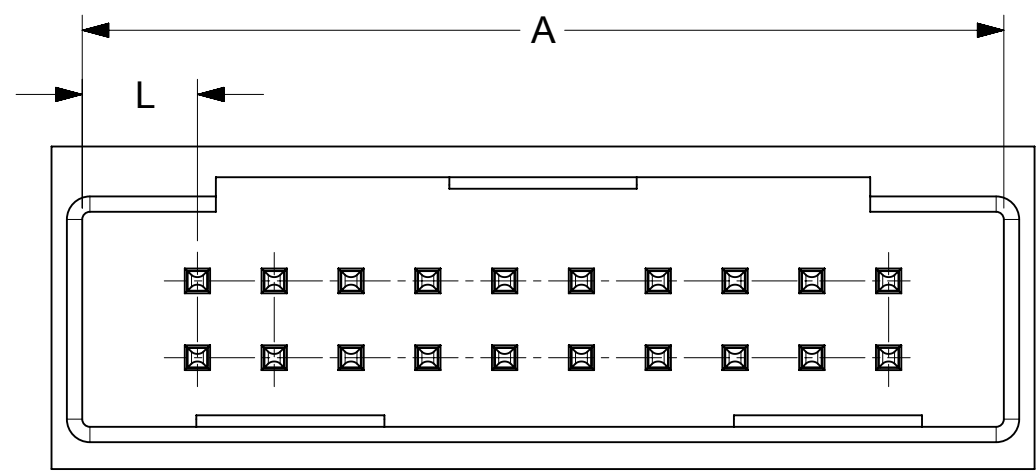
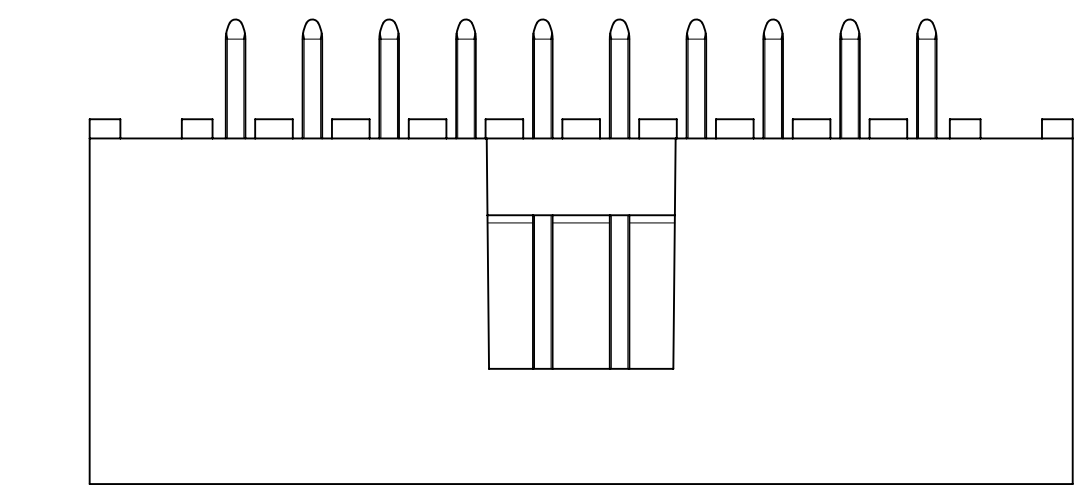
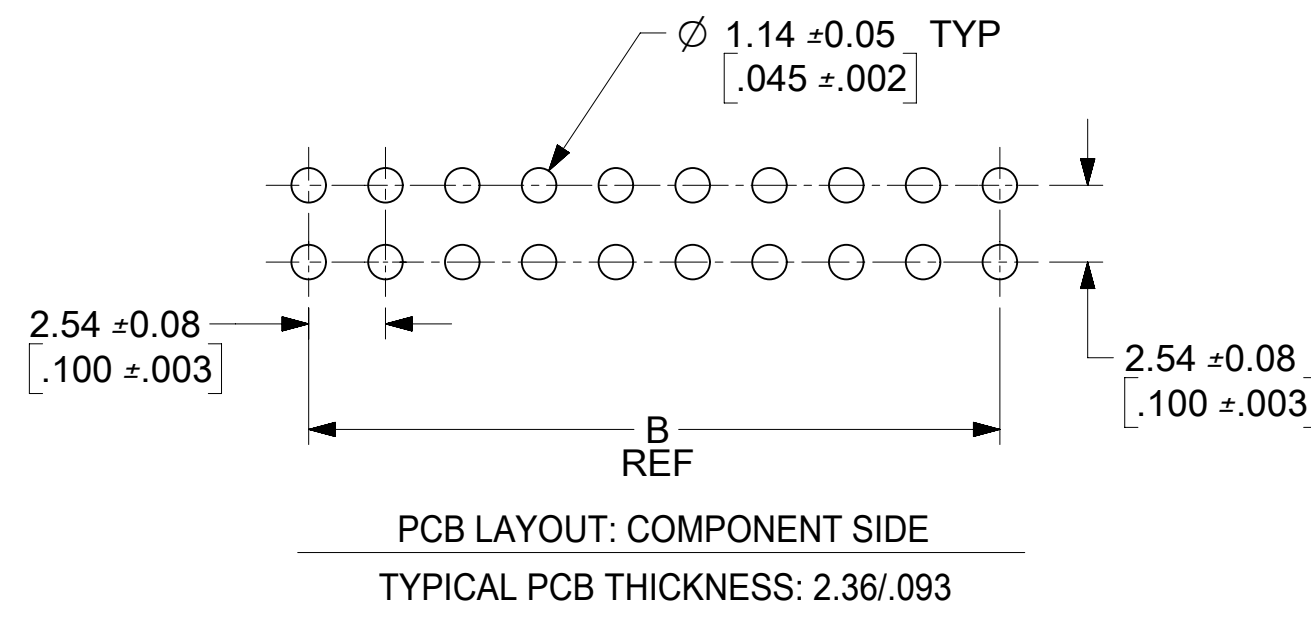
OPTION A



- NOTES:**
- MATERIAL: GLASS FILLED, LIQUID CRYSTAL POLYMER, COLOR: BLACK, 94V-0. PINS: COPPER ALLOY.
 - PLATING:
 - TIN 150 MI MINIMUM TIN, OVER NICKEL UNDERPLATE OVERALL
 - 15 GOLD 15 MI MINIMUM GOLD PLATE IN SELECTED AREA
 - 75 MI MINIMUM TIN IN SELECTED AREA
 - OVER NICKEL UNDERPLATE OVERALL
 - 30 GOLD 30 MI MINIMUM GOLD PLATE IN SELECTED AREA
 - 75 MI MINIMUM TIN IN SELECTED AREA,
 - OVER NICKEL UNDERPLATE OVERALL
 - PRODUCT SPECIFICATION: PS-70567.
 - PACKAGING: SEE CHARTS
 - MEASURE POINT FOR PLATING THICKNESS.
 - PIN PUSHOUT FORCE: 4 LBS. MINIMUM IN DIRECTION INDICATED.
 - FOR ILLUSTRATION PURPOSES, 20 (DUAL 10) CIRCUIT SIZE HEADER SHOWN.
 - PIN SOLDERABILITY PER MOLEX SPEC. SMES-152.
 - WINDOW NOT AVAILABLE ON 6 OR 8 CIRCUIT SIZE.
 - COSMETIC SPECIFICATION PS-45499-002 CLASS B

| CKT | DIM A | DIM B | DIM L | DIM M | DIM N |
|-----|----------------|----------------|--------------|--------------|----------------|
| 06 | 8.43 .332 | 5.08 .200 | 1.68 .066 | 1.68 .066 | |
| 08 | 10.97 .432 | 7.62 .300 | 1.68 .066 | 1.68 .066 | |
| 10 | 13.51 .532 | 10.16 .400 | 1.68 .066 | 4.22 .166 | |
| 12 | 16.05 .632 | 12.70 .500 | 1.68 .066 | 4.22 .166 | |
| 14 | 18.59 .732 | 15.24 .600 | 1.68 .066 | 6.76 .266 | |
| 16 | 21.13 .832 | 17.78 .700 | 1.68 .066 | 6.76 .266 | |
| 18 | 23.67 .932 | 20.32 .800 | 1.68 .066 | 9.30 .366 | |
| 20 | 26.21 1.032 | 22.86 .900 | 1.68 .066 | 1.68 .066 | 19.46 .766 |
| 22 | 28.75 1.132 | 25.40 1.000 | 1.68 .066 | 1.68 .066 | 22.00 .866 |
| 24 | 31.29 1.232 | 27.94 1.100 | 1.68 .066 | 1.68 .066 | 24.54 .966 |
| 26 | 33.83 1.332 | 30.48 1.200 | 1.68 .066 | 1.68 .066 | 27.08 1.066 |
| 28 | 36.37 1.432 | 33.02 1.300 | 1.68 .066 | 1.68 .066 | 29.62 1.166 |
| 30 | 38.91 1.532 | 35.56 1.400 | 1.68 .066 | 1.68 .066 | 32.16 1.266 |
| 32 | 41.45 1.632 | 38.10 1.500 | 1.68 .066 | 1.68 .066 | 34.70 1.366 |
| 34 | 43.99 1.732 | 40.64 1.600 | 1.68 .066 | 1.68 .066 | 37.24 1.466 |
| 36 | 46.53 1.832 | 43.18 1.700 | 1.68 .066 | 1.68 .066 | 39.78 1.566 |
| 38 | 49.07 1.932 | 45.72 1.800 | 1.68 .066 | 1.68 .066 | 42.32 1.666 |
| 40 | 51.61 2.032 | 48.26 1.900 | 1.68 .066 | 1.68 .066 | 44.86 1.766 |
| 42 | 54.15 2.132 | 50.80 2.000 | 1.68 .066 | 1.68 .066 | 47.40 1.866 |
| 44 | 56.69 2.232 | 53.34 2.100 | 1.68 .066 | 1.68 .066 | 49.94 1.966 |
| 46 | 59.23 2.332 | 55.88 2.200 | 1.68 .066 | 1.68 .066 | 52.48 2.066 |
| 48 | 61.77 2.432 | 58.42 2.300 | 1.68 .066 | 1.68 .066 | 55.02 2.166 |
| 50 | 64.31 2.532 | 60.96 2.400 | 1.68 .066 | 1.68 .066 | 57.56 2.266 |
| 52 | 66.85 2.632 | 63.50 2.500 | 1.68 .066 | 1.68 .066 | 60.10 2.366 |
| 54 | 69.39 2.732 | 66.04 2.600 | 1.68 .066 | 1.68 .066 | 62.64 2.466 |
| 56 | 71.93 2.832 | 68.58 2.700 | 1.68 .066 | 1.68 .066 | 65.18 2.566 |
| 58 | 74.47 2.932 | 71.12 2.800 | 1.68 .066 | 1.68 .066 | 67.72 2.666 |
| 60 | 77.01 3.032 | 73.66 2.900 | 1.68 .066 | 1.68 .066 | 70.26 2.766 |
| 62 | 79.55 3.132 | 76.20 3.000 | 1.68 .066 | 1.68 .066 | 72.80 2.866 |
| 64 | 82.09 3.232 | 78.74 3.100 | 1.68 .066 | 1.68 .066 | 75.34 2.966 |
| 66 | 84.63 3.332 | 81.28 3.200 | 1.68 .066 | 1.68 .066 | 77.88 3.066 |
| 68 | 87.17 3.432 | 83.82 3.300 | 1.68 .066 | 1.68 .066 | 80.42 3.166 |
| 70 | 89.71 3.532 | 86.36 3.400 | 1.68 .066 | 1.68 .066 | 82.96 3.266 |
| 72 | 92.25 3.632 | 88.90 3.500 | 1.68 .066 | 1.68 .066 | 85.50 3.366 |

| | | | |
|--|---|--|--|
| SYMBOLS THIS DRAWING CONTAINS INFORMATION THAT IS PROPRIETARY TO MOLEX ELECTRONIC TECHNOLOGIES, LLC AND SHOULD NOT BE USED WITHOUT WRITTEN PERMISSION DIMENSION UNITS: MM SCALE: 1:1 CURRENT REV DESC: EC NO: 637057 DRWN: ABABUPS 2020/05/05 CHK'D: MRAMAKRISHNA 2020/05/06 APPR: MRAMAKRISHNA 2020/05/06 INITIAL REVISION: DRWN: APPR: DRAFT WHERE APPLICABLE MUST REMAIN WITHIN DIMENSIONS THIRD ANGLE PROJECTION DRAWING: C-SIZE SERIES: 70567 | molex 4 SIDES SHROUDED HEADER HIGH TEMP, (2.54)/.100 GRID W/ (0.64)/.025 PINS PRODUCT CUSTOMER DRAWING DOCUMENT NUMBER: SDA-70567-XXXX DOC TYPE: PSD DOC PART: 001 REVISION: K5 MATERIAL NUMBER: GENERAL MARKET CUSTOMER: GENERAL MARKET SHEET NUMBER: 1 OF 8 | | |
| | 4 PLACES ± 3 PLACES ± 0.005 2 PLACES ± 0.13 ± 0.01 1 PLACE ± 0.25 ± 0 PLACES ± ANGULAR TOL ± 0.5° | GENERAL TOLERANCES (UNLESS SPECIFIED) MM INCH ± ± ± ± 0.005 ± 0.13 ± 0.01 ± 0.25 ± ± | 4 PLACES ± 3 PLACES ± 0.005 2 PLACES ± 0.13 ± 0.01 1 PLACE ± 0.25 ± 0 PLACES ± ANGULAR TOL ± 0.5° |

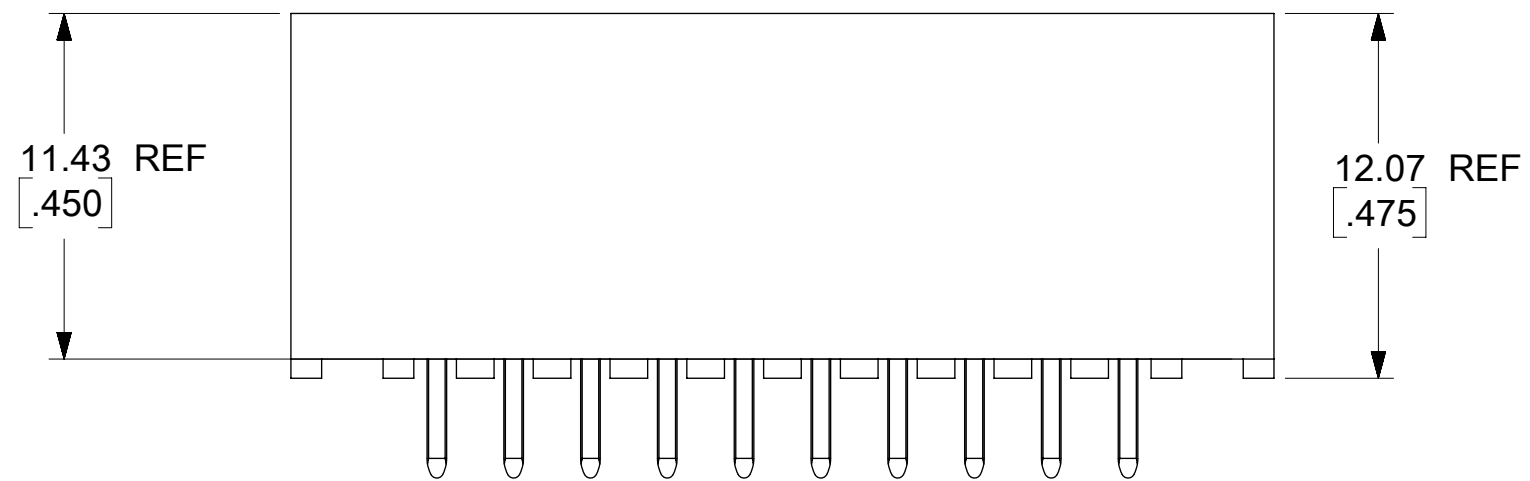
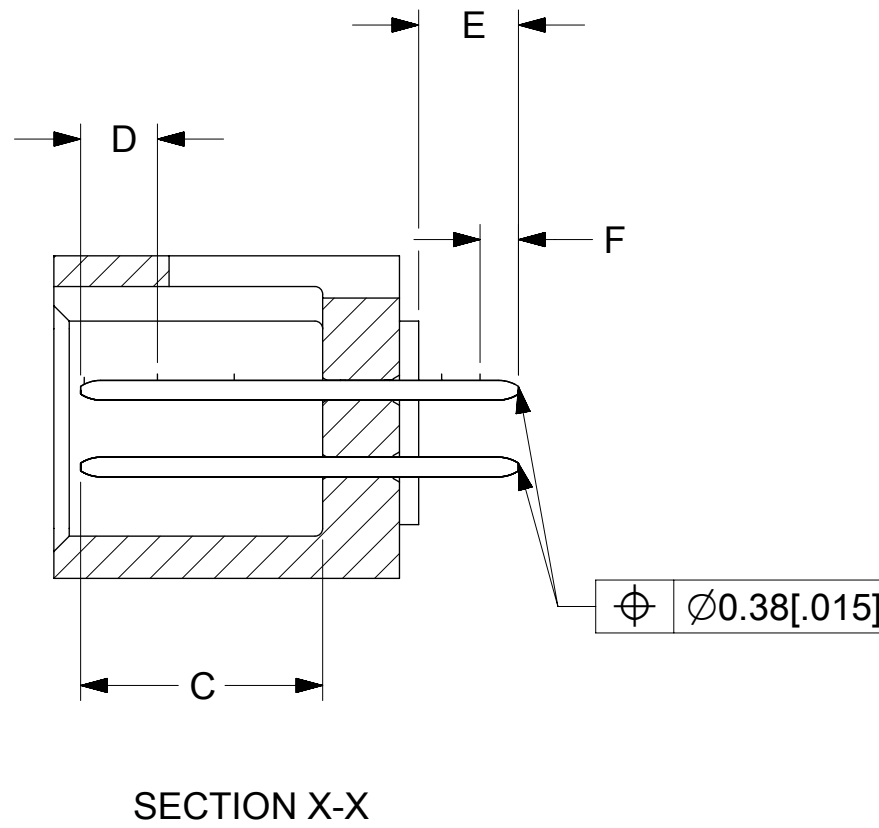
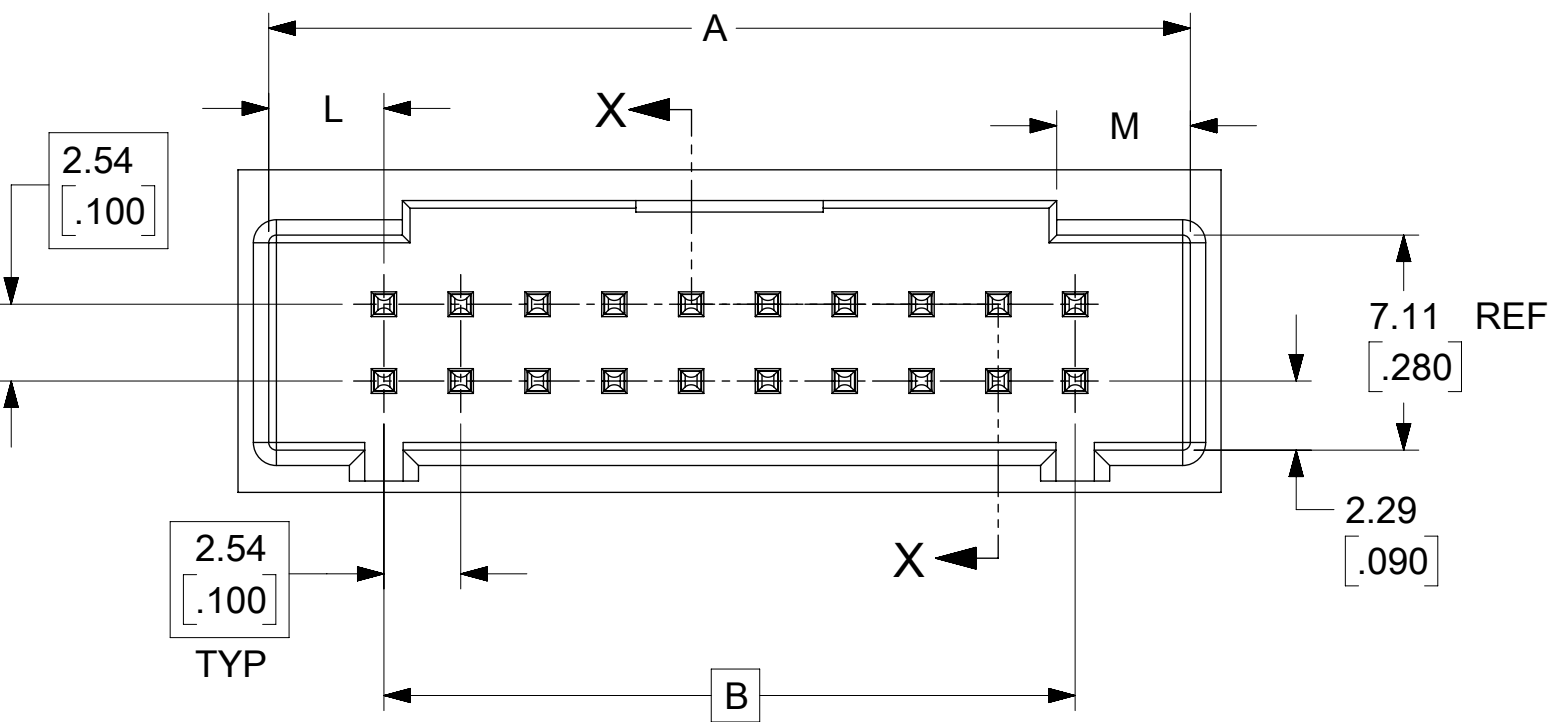
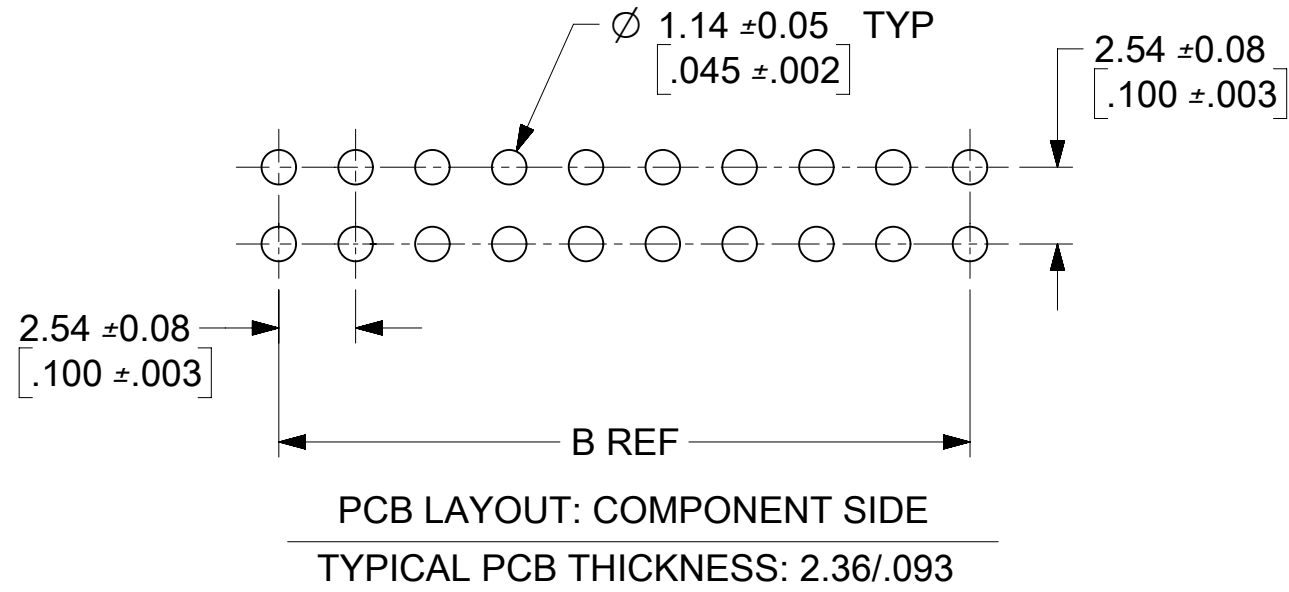
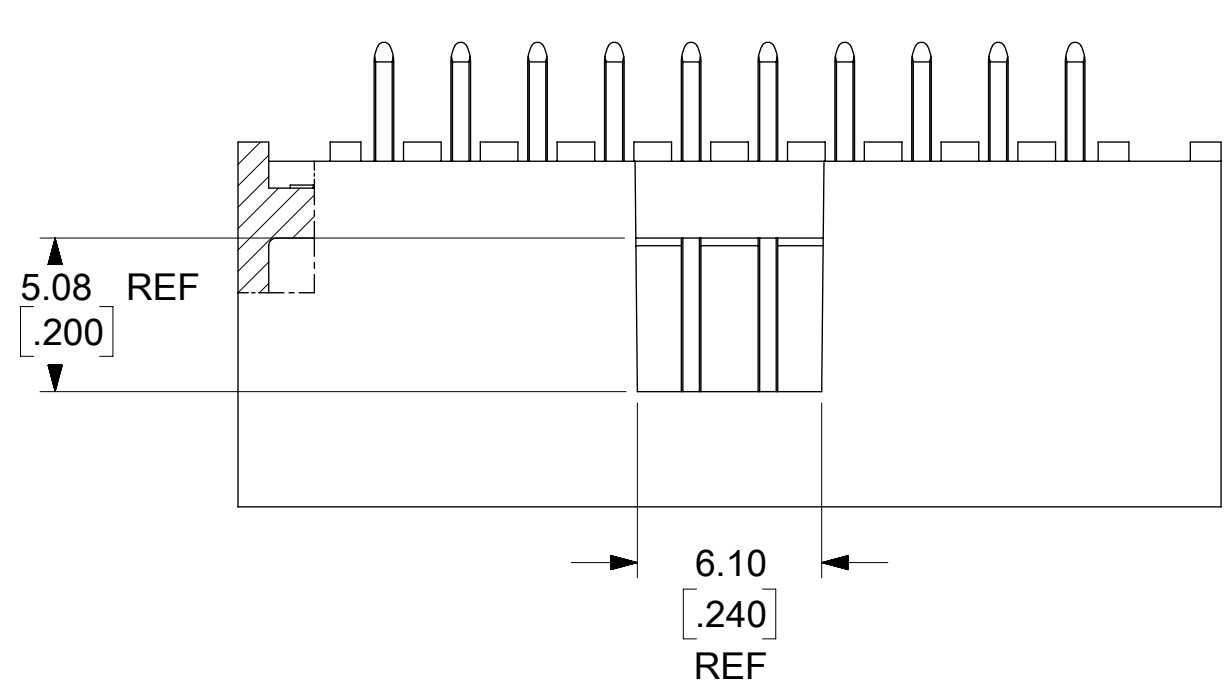


OPTION B
SAME AS OPTION A
EXCEPT AS SHOWN

| CKT | DIM A | DIM B | DIM L | DIM M | DIM N |
|-----|-------|-------|-------|-------|-------|
| 06 | 12.70 | 5.08 | 3.81 | 3.81 | |
| | .500 | .200 | .150 | .150 | |
| 08 | 15.24 | 7.62 | 3.81 | 3.81 | |
| | .600 | .300 | .150 | .150 | |
| 10 | 17.78 | 10.16 | 3.81 | 6.35 | |
| | .700 | .400 | .150 | .150 | |
| 12 | 20.32 | 12.70 | 3.81 | 6.35 | |
| | .800 | .500 | .150 | .150 | |
| 14 | 22.86 | 15.24 | 3.81 | 8.89 | |
| | .900 | .600 | .150 | .350 | |
| 16 | 25.40 | 17.78 | 3.81 | 8.89 | |
| | 1.000 | .700 | .150 | .350 | |
| 18 | 27.94 | 20.32 | 3.81 | 11.43 | |
| | 1.100 | .800 | .150 | .450 | |
| 20 | 30.48 | 22.86 | 3.81 | 3.81 | 21.59 |
| | 1.200 | .900 | .150 | .150 | .850 |
| 22 | 33.02 | 25.40 | 3.81 | 3.81 | 24.13 |
| | 1.300 | 1.000 | .150 | .150 | .950 |
| 24 | 35.56 | 27.94 | 3.81 | 3.81 | 26.67 |
| | 1.400 | 1.100 | .150 | .150 | 1.050 |
| 26 | 38.10 | 30.48 | 3.81 | 3.81 | 29.21 |
| | 1.500 | 1.200 | .150 | .150 | 1.150 |
| 28 | 40.64 | 33.02 | 3.81 | 3.81 | 31.75 |
| | 1.600 | 1.300 | .150 | .150 | 1.250 |
| 30 | 43.18 | 35.56 | 3.81 | 3.81 | 34.29 |
| | 1.700 | 1.400 | .150 | .150 | 1.350 |
| 32 | 45.72 | 38.10 | 3.81 | 3.81 | 36.83 |
| | 1.800 | 1.500 | .150 | .150 | 1.450 |
| 34 | 48.26 | 40.64 | 3.81 | 3.81 | 39.37 |
| | 1.900 | 1.600 | .150 | .150 | 1.550 |
| 36 | 50.80 | 43.18 | 3.81 | 3.81 | 41.91 |
| | 2.000 | 1.700 | .150 | .150 | 1.650 |
| 38 | 53.34 | 45.72 | 3.81 | 3.81 | 44.45 |
| | 2.100 | 1.800 | .150 | .150 | 1.750 |
| 40 | 55.88 | 48.26 | 3.81 | 3.81 | 46.99 |
| | 2.200 | 1.900 | .150 | .150 | 1.850 |
| 42 | 58.42 | 50.80 | 3.81 | 3.81 | 49.53 |
| | 2.300 | 2.000 | .150 | .150 | 1.950 |
| 44 | 60.96 | 53.34 | 3.81 | 3.81 | 52.07 |
| | 2.400 | 2.100 | .150 | .150 | 2.050 |
| 46 | 63.50 | 55.88 | 3.81 | 3.81 | 54.61 |
| | 2.500 | 2.200 | .150 | .150 | 2.150 |
| 48 | 66.04 | 58.42 | 3.81 | 3.81 | 57.15 |
| | 2.600 | 2.300 | .150 | .150 | 2.250 |
| 50 | 68.58 | 60.96 | 3.81 | 3.81 | 59.69 |
| | 2.700 | 2.400 | .150 | .150 | 2.350 |
| 52 | 71.12 | 63.50 | 3.81 | 3.81 | 62.23 |
| | 2.800 | 2.500 | .150 | .150 | 2.450 |
| 54 | 73.66 | 66.04 | 3.81 | 3.81 | 64.77 |
| | 2.900 | 2.600 | .150 | .150 | 2.550 |
| 56 | 76.20 | 68.58 | 3.81 | 3.81 | 67.31 |
| | 3.000 | 2.700 | .150 | .150 | 2.650 |
| 58 | 78.74 | 71.12 | 3.81 | 3.81 | 69.85 |
| | 3.100 | 2.800 | .150 | .150 | 2.750 |
| 60 | 81.28 | 73.66 | 3.81 | 3.81 | 72.32 |
| | 3.200 | 2.900 | .150 | .150 | 2.850 |
| 62 | 83.82 | 76.20 | 3.81 | 3.81 | 74.93 |
| | 3.300 | 3.000 | .150 | .150 | 2.950 |
| 64 | 86.36 | 78.74 | 3.81 | 3.81 | 77.47 |
| | 3.400 | 3.100 | .150 | .150 | 3.050 |
| 66 | 88.90 | 81.28 | 3.81 | 3.81 | 80.01 |
| | 3.500 | 3.200 | .150 | .150 | 3.150 |
| 68 | 91.44 | 83.82 | 3.81 | 3.81 | 82.55 |
| | 3.600 | 3.300 | .150 | .150 | 3.250 |
| 70 | 93.98 | 86.36 | 3.81 | 3.81 | 85.09 |
| | 3.700 | 3.400 | .150 | .150 | 3.350 |
| 72 | 96.52 | 88.90 | 3.81 | 3.81 | 87.63 |
| | 3.800 | 3.500 | .150 | .150 | 3.450 |

| | | | | |
|---------|---|---------|-----------------|--|
| SYMBOLS | THIS DRAWING CONTAINS INFORMATION THAT IS PROPRIETARY TO MOLEX ELECTRONIC TECHNOLOGIES, LLC AND SHOULD NOT BE USED WITHOUT WRITTEN PERMISSION | | | |
| | DIMENSION UNITS | SCALE | | CURRENT REV DESC: |
| ∇ = 0 | MM | 1:1 | | EC NO: 637057 DRWN: ABABUPS 2020/05/05 CHK'D: MRAMAKRISHNA 2020/05/06 APPR: MRAMAKRISHNA 2020/05/06 |
| ∇ = 0 | GENERAL TOLERANCES (UNLESS SPECIFIED) | | | |
| ∇ = 0 | | MM | INCH | INITIAL REVISION: DRWN: APPR: |
| ∇ = 0 | 4 PLACES | ± | ± | |
| ∇ = 0 | 3 PLACES | ± | ± 0.005 | DOCUMENT NUMBER: SDA-70567-XXXX DOC TYPE: PSD DOC PART: 001 REVISION: K5 |
| ∇ = 0 | 2 PLACES | ± 0.13 | ± 0.01 | |
| ∇ = 0 | 1 PLACE | ± 0.25 | ± | MATERIAL NUMBER: GENERAL MARKET CUSTOMER: GENERAL MARKET SHEET NUMBER: 2 OF 8 |
| ∇ = 0 | 0 PLACES | ± | ± | |
| ∇ = 0 | ANGULAR TOL | ± 0.5 ° | | THIRD ANGLE PROJECTION: |
| ∇ = 0 | DRAFT WHERE APPLICABLE MUST REMAIN WITHIN DIMENSIONS | | DRAWING: C-SIZE | SERIES: 70567 |

OPTION C



| CKT | DIM A | DIM B | DIM L | DIM M |
|-----|----------------|----------------|--------------|--------------|
| 06 | 12.70 .500 | 5.08 .200 | 3.81 .150 | 3.18 .125 |
| 08 | 15.24 .600 | 7.62 .300 | 3.81 .150 | 4.42 .174 |
| 10 | 17.78 .700 | 10.16 .400 | 3.81 .150 | 4.42 .174 |
| 12 | 20.32 .800 | 12.70 .500 | 3.81 .150 | 4.42 .174 |
| 14 | 22.86 .900 | 15.24 .600 | 3.81 .150 | 4.42 .174 |
| 16 | 25.40 1.000 | 17.78 .700 | 3.81 .150 | 4.42 .174 |
| 18 | 27.94 1.100 | 20.32 .800 | 3.81 .150 | 4.42 .174 |
| 20 | 30.48 1.200 | 22.86 .900 | 3.81 .150 | 4.42 .174 |
| 22 | 33.02 1.300 | 25.40 1.000 | 3.81 .150 | 4.42 .174 |
| 24 | 35.56 1.400 | 27.94 1.100 | 3.81 .150 | 4.42 .174 |
| 26 | 38.10 1.500 | 30.48 1.200 | 3.81 .150 | 4.42 .174 |
| 28 | 40.64 1.600 | 33.02 1.300 | 3.81 .150 | 4.42 .174 |
| 30 | 43.18 1.700 | 35.56 1.400 | 3.81 .150 | 4.42 .174 |
| 32 | 45.72 1.800 | 38.10 1.500 | 3.81 .150 | 4.42 .174 |
| 34 | 48.26 1.900 | 40.64 1.600 | 3.81 .150 | 4.42 .174 |
| 36 | 50.80 2.000 | 43.18 1.700 | 3.81 .150 | 4.42 .174 |
| 38 | 53.34 2.100 | 45.72 1.800 | 3.81 .150 | 4.42 .174 |
| 40 | 55.88 2.200 | 48.26 1.900 | 3.81 .150 | 4.42 .174 |
| 42 | 58.42 2.300 | 50.80 2.000 | 3.81 .150 | 4.42 .174 |
| 44 | 60.96 2.400 | 53.34 2.100 | 3.81 .150 | 4.42 .174 |
| 46 | 63.50 2.500 | 55.88 2.200 | 3.81 .150 | 4.42 .174 |
| 48 | 66.04 2.600 | 58.42 2.300 | 3.81 .150 | 4.42 .174 |
| 50 | 68.58 2.700 | 60.96 2.400 | 3.81 .150 | 4.42 .174 |
| 52 | 71.12 2.800 | 63.50 2.500 | 3.81 .150 | 4.42 .174 |
| 54 | 73.66 2.900 | 66.04 2.600 | 3.81 .150 | 4.42 .174 |
| 56 | 76.20 3.000 | 68.58 2.700 | 3.81 .150 | 4.42 .174 |
| 58 | 78.74 3.100 | 71.12 2.800 | 3.81 .150 | 4.42 .174 |
| 60 | 81.28 3.200 | 73.66 2.900 | 3.81 .150 | 4.42 .174 |
| 62 | 83.82 3.300 | 76.20 3.000 | 3.81 .150 | 4.42 .174 |
| 64 | 86.36 3.400 | 78.74 3.100 | 3.81 .150 | 4.42 .174 |
| 66 | 88.90 3.500 | 81.28 3.200 | 3.81 .150 | 4.42 .174 |
| 68 | 91.44 3.600 | 83.82 3.300 | 3.81 .150 | 4.42 .174 |
| 70 | 93.98 3.700 | 86.36 3.400 | 3.81 .150 | 4.42 .174 |
| 72 | 96.52 3.800 | 88.90 3.500 | 3.81 .150 | 4.42 .174 |

| | | | |
|--|---|---------------------------------|--|
| SYMBOLS DIMENSION UNITS SCALE CURRENT REV DESC: | THIS DRAWING CONTAINS INFORMATION THAT IS PROPRIETARY TO MOLEX ELECTRONIC TECHNOLOGIES, LLC AND SHOULD NOT BE USED WITHOUT WRITTEN PERMISSION | | |
| | DIMENSION UNITS MM | SCALE 4:1 | |
| GENERAL TOLERANCES (UNLESS SPECIFIED) | | PRODUCT CUSTOMER DRAWING | |
| 4 PLACES ± 3 PLACES ± 2 PLACES ± 0.13 ± 0.01 1 PLACE ± 0.25 ± 0 PLACES ± | INITIAL REVISION: DRWN: APPR: | | DOCUMENT NUMBER SDA-70567-XXXX |
| ANGULAR TOL ± 0.5 ° DRAFT WHERE APPLICABLE MUST REMAIN WITHIN DIMENSIONS | THIRD ANGLE PROJECTION | DRAWING C-SIZE | DOC TYPE DOC PART REVISION PSD 001 K5 |
| DOCUMENT STATUS P1 | RELEASE DATE 2020/05/06 14:13:05 | MATERIAL NUMBER 70567 | CUSTOMER GENERAL MARKET |
| | | SHEET NUMBER 3 OF 8 | |

| ENGINEERING NUMBER | MANUFACTURE RELEASE STATUS | E REF. | C .015 (0.38) | CONNECTOR END PLATING | | P.C. BOARD END PLATING | | PACKAGING INFORMATION PK-70873- |
|--------------------|----------------------------|-------------|---------------|-----------------------|-------------|------------------------|-------------|---------------------------------|
| | | | | TYPE | D MEAS. | TYPE | F MEAS. | |
| A-70567 | | | | | | | | |
| -0001/-0034 | R.F.M. | .130 (3.30) | .315 (8.00) | TIN | .100 (2.54) | TIN | .050 (1.27) | 0018 |
| -0035/-0068 | R.F.M. | .200 (5.08) | .315 (8.00) | TIN | .100 (2.54) | TIN | .050 (1.27) | 0018 |
| -0069/-0102 | R.F.M. | .130 (3.30) | .315 (8.00) | 15 GOLD | .100 (2.54) | TIN | .050 (1.27) | 0018 |
| -0103/-0136 | R.F.M. | .200 (5.08) | .315 (8.00) | 15 GOLD | .100 (2.54) | TIN | .050 (1.27) | 0018 |
| -0137/-0170 | R.F.M. | .130 (3.30) | .315 (8.00) | 30 GOLD | .100 (2.54) | TIN | .050 (1.27) | 0018 |
| -0171/-0204 | R.F.M. | .200 (5.08) | .315 (8.00) | 30 GOLD | .100 (2.54) | TIN | .050 (1.27) | 0018 |
| | | | | | | | | |
| | | | | | | | | |
| | | | | | | | | |

| NO. OF CKTS | OPTION "A" | | OPTION "A" | | OPTION "A" | | OPTION "A" | | OPTION "A" | | OPTION "A" | | | | | | | | NO. OF CKTS |
|-------------|------------|--------------|------------|--------------|------------|--------------|------------|--------------|------------|--------------|------------|--------------|------------|------------|------------|------------|------------|------------|-------------|
| | EDP NUMBER | ENG NUMBER | EDP NUMBER | ENG NUMBER | EDP NUMBER | ENG NUMBER | EDP NUMBER | ENG NUMBER | EDP NUMBER | ENG NUMBER | EDP NUMBER | ENG NUMBER | EDP NUMBER | ENG NUMBER | EDP NUMBER | ENG NUMBER | EDP NUMBER | ENG NUMBER | |
| 06 | 15-80-0061 | A-70567-0001 | 70567-0035 | A-70567-0035 | 15-80-0063 | A-70567-0069 | 70567-0103 | A-70567-0103 | 15-80-0065 | A-70567-0137 | 70567-0171 | A-70567-0171 | | | | | | | 06 |
| 08 | 15-80-0081 | A-70567-0002 | 70567-0036 | A-70567-0036 | 15-80-0083 | A-70567-0070 | 70567-0104 | A-70567-0104 | 15-80-0085 | A-70567-0138 | 70567-0172 | A-70567-0172 | | | | | | | 08 |
| 10 | 15-80-0101 | A-70567-0003 | 70567-0037 | A-70567-0037 | 15-80-0103 | A-70567-0071 | 70567-0105 | A-70567-0105 | 15-80-0105 | A-70567-0139 | 70567-0173 | A-70567-0173 | | | | | | | 10 |
| 12 | 15-80-0121 | A-70567-0004 | 70567-0038 | A-70567-0038 | 15-80-0123 | A-70567-0072 | 70567-0106 | A-70567-0106 | 15-80-0125 | A-70567-0140 | 70567-0174 | A-70567-0174 | | | | | | | 12 |
| 14 | 15-80-0141 | A-70567-0005 | 70567-0039 | A-70567-0039 | 15-80-0143 | A-70567-0073 | 70567-0107 | A-70567-0107 | 15-80-0145 | A-70567-0141 | 70567-0175 | A-70567-0175 | | | | | | | 14 |
| 16 | 15-80-0161 | A-70567-0006 | 70567-0040 | A-70567-0040 | 15-80-0163 | A-70567-0074 | 70567-0108 | A-70567-0108 | 15-80-0165 | A-70567-0142 | 70567-0176 | A-70567-0176 | | | | | | | 16 |
| 18 | 15-80-0181 | A-70567-0007 | 70567-0041 | A-70567-0041 | 15-80-0183 | A-70567-0075 | 70567-0109 | A-70567-0109 | 15-80-0185 | A-70567-0143 | 70567-0177 | A-70567-0177 | | | | | | | 18 |
| 20 | 15-80-0201 | A-70567-0008 | 70567-0042 | A-70567-0042 | 15-80-0203 | A-70567-0076 | 70567-0110 | A-70567-0110 | 15-80-0205 | A-70567-0144 | 70567-0178 | A-70567-0178 | | | | | | | 20 |
| 22 | 15-80-0221 | A-70567-0009 | 70567-0043 | A-70567-0043 | 15-80-0223 | A-70567-0077 | 70567-0111 | A-70567-0111 | 15-80-0225 | A-70567-0145 | 70567-0179 | A-70567-0179 | | | | | | | 22 |
| 24 | 15-80-0241 | A-70567-0010 | 70567-0044 | A-70567-0044 | 15-80-0243 | A-70567-0078 | 70567-0112 | A-70567-0112 | 15-80-0245 | A-70567-0146 | 70567-0180 | A-70567-0180 | | | | | | | 24 |
| 26 | 15-80-0261 | A-70567-0011 | 70567-0045 | A-70567-0045 | 15-80-0263 | A-70567-0079 | 70567-0113 | A-70567-0113 | 15-80-0265 | A-70567-0147 | 70567-0181 | A-70567-0181 | | | | | | | 26 |
| 28 | 15-80-0281 | A-70567-0012 | 70567-0046 | A-70567-0046 | 15-80-0283 | A-70567-0080 | 70567-0114 | A-70567-0114 | 15-80-0285 | A-70567-0148 | 70567-0182 | A-70567-0182 | | | | | | | 28 |
| 30 | 15-80-0301 | A-70567-0013 | 70567-0047 | A-70567-0047 | 15-80-0303 | A-70567-0081 | 70567-0115 | A-70567-0115 | 15-80-0305 | A-70567-0149 | 70567-0183 | A-70567-0183 | | | | | | | 30 |
| 32 | 15-80-0321 | A-70567-0014 | 70567-0048 | A-70567-0048 | 15-80-0323 | A-70567-0082 | 70567-0116 | A-70567-0116 | 15-80-0325 | A-70567-0150 | 70567-0184 | A-70567-0184 | | | | | | | 32 |
| 34 | 15-80-0341 | A-70567-0015 | 70567-0049 | A-70567-0049 | 15-80-0343 | A-70567-0083 | 70567-0117 | A-70567-0117 | 15-80-0345 | A-70567-0151 | 70567-0185 | A-70567-0185 | | | | | | | 34 |
| 36 | 15-80-0361 | A-70567-0016 | 70567-0050 | A-70567-0050 | 15-80-0363 | A-70567-0084 | 70567-0118 | A-70567-0118 | 15-80-0365 | A-70567-0152 | 70567-0186 | A-70567-0186 | | | | | | | 36 |
| 38 | 15-80-0381 | A-70567-0017 | 70567-0051 | A-70567-0051 | 15-80-0383 | A-70567-0085 | 70567-0119 | A-70567-0119 | 15-80-0385 | A-70567-0153 | 70567-0187 | A-70567-0187 | | | | | | | 38 |
| 40 | 15-80-0401 | A-70567-0018 | 70567-0052 | A-70567-0052 | 15-80-0403 | A-70567-0086 | 70567-0120 | A-70567-0120 | 15-80-0405 | A-70567-0154 | 70567-0188 | A-70567-0188 | | | | | | | 40 |
| 42 | 15-80-0421 | A-70567-0019 | 70567-0053 | A-70567-0053 | 15-80-0423 | A-70567-0087 | 70567-0121 | A-70567-0121 | 15-80-0425 | A-70567-0155 | 70567-0189 | A-70567-0189 | | | | | | | 42 |
| 44 | 15-80-0441 | A-70567-0020 | 70567-0054 | A-70567-0054 | 15-80-0443 | A-70567-0088 | 70567-0122 | A-70567-0122 | 15-80-0445 | A-70567-0156 | 70567-0190 | A-70567-0190 | | | | | | | 44 |
| 46 | 15-80-0461 | A-70567-0021 | 70567-0055 | A-70567-0055 | 15-80-0463 | A-70567-0089 | 70567-0123 | A-70567-0123 | 15-80-0465 | A-70567-0157 | 70567-0191 | A-70567-0191 | | | | | | | 46 |
| 48 | 15-80-0481 | A-70567-0022 | 70567-0056 | A-70567-0056 | 15-80-0483 | A-70567-0090 | 70567-0124 | A-70567-0124 | 15-80-0485 | A-70567-0158 | 70567-0192 | A-70567-0192 | | | | | | | 48 |
| 50 | 15-80-0501 | A-70567-0023 | 70567-0057 | A-70567-0057 | 15-80-0503 | A-70567-0091 | 70567-0125 | A-70567-0125 | 15-80-0505 | A-70567-0159 | 70567-0193 | A-70567-0193 | | | | | | | 50 |
| 52 | 15-80-0521 | A-70567-0024 | 70567-0058 | A-70567-0058 | 15-80-0523 | A-70567-0092 | 70567-0126 | A-70567-0126 | 15-80-0525 | A-70567-0160 | 70567-0194 | A-70567-0194 | | | | | | | 52 |
| 54 | 15-80-0541 | A-70567-0025 | 70567-0059 | A-70567-0059 | 15-80-0543 | A-70567-0093 | 70567-0127 | A-70567-0127 | 15-80-0545 | A-70567-0161 | 70567-0195 | A-70567-0195 | | | | | | | 54 |
| 56 | 15-80-0561 | A-70567-0026 | 70567-0060 | A-70567-0060 | 15-80-0563 | A-70567-0094 | 70567-0128 | A-70567-0128 | 15-80-0565 | A-70567-0162 | 70567-0196 | A-70567-0196 | | | | | | | 56 |
| 58 | 15-80-0581 | A-70567-0027 | 70567-0061 | A-70567-0061 | 15-80-0583 | A-70567-0095 | 70567-0129 | A-70567-0129 | 15-80-0585 | A-70567-0163 | 70567-0197 | A-70567-0197 | | | | | | | 58 |
| 60 | 15-80-0601 | A-70567-0028 | 70567-0062 | A-70567-0062 | 15-80-0603 | A-70567-0096 | 70567-0130 | A-70567-0130 | 15-80-0605 | A-70567-0164 | 70567-0198 | A-70567-0198 | | | | | | | 60 |
| 62 | 15-80-0621 | A-70567-0029 | 70567-0063 | A-70567-0063 | 15-80-0623 | A-70567-0097 | 70567-0131 | A-70567-0131 | 15-80-0625 | A-70567-0165 | 70567-0199 | A-70567-0199 | | | | | | | 62 |
| 64 | 15-80-0641 | A-70567-0030 | 70567-0064 | A-70567-0064 | 15-80-0643 | A-70567-0098 | 70567-0132 | A-70567-0132 | 15-80-0645 | A-70567-0166 | 70567-0200 | A-70567-0200 | | | | | | | 64 |
| 66 | 15-80-0661 | A-70567-0031 | 70567-0065 | A-70567-0065 | 15-80-0663 | A-70567-0099 | 70567-0133 | A-70567-0133 | 15-80-0665 | A-70567-0167 | 70567-0201 | A-70567-0201 | | | | | | | 66 |
| 68 | 15-80-0681 | A-70567-0032 | 70567-0066 | A-70567-0066 | 15-80-0683 | A-70567-0100 | 70567-0134 | A-70567-0134 | 15-80-0685 | A-70567-0168 | 70567-0202 | A-70567-0202 | | | | | | | 68 |
| 70 | 15-80-0701 | A-70567-0033 | 70567-0067 | A-70567-0067 | 15-80-0703 | A-70567-0101 | 70567-0135 | A-70567-0135 | 15-80-0705 | A-70567-0169 | 70567-0203 | A-70567-0203 | | | | | | | 70 |
| 72 | 15-80-0721 | A-70567-0034 | 70567-0068 | A-70567-0068 | 15-80-0723 | A-70567-0102 | 70567-0136 | A-70567-0136 | 15-80-0725 | A-70567-0170 | 70567-0204 | A-70567-0204 | | | | | | | 72 |

SYMBOLS

| | | | |
|-------|--|----------------|--|
| ▽ = 0 | MM | SCALE 1:1 | CURRENT REV DESC: |
| ▽ = 0 | GENERAL TOLERANCES (UNLESS SPECIFIED) | | |
| ▽ = 0 | | MM INCH | EC NO: 637057 DRWN: ABABUPS 2020/05/05 CHK'D: MRAMAKRISHNA 2020/05/06 APPR: MRAMAKRISHNA 2020/05/06 |
| ▽ = 0 | 4 PLACES ± | ± | |
| ▽ = 0 | 3 PLACES ± | ± 0.005 | |
| ▽ = 0 | 2 PLACES ± | 0.13 ± 0.01 | |
| ▽ = 0 | 1 PLACE ± | 0.25 ± | |
| ▽ = 0 | 0 PLACES ± | ± | |
| ▽ = 0 | ANGULAR TOL | ± 0.5 ° | |
| ▽ = 0 | DRAFT WHERE APPLICABLE MUST REMAIN WITHIN DIMENSIONS | | INITIAL REVISION: DRWN: APPR: |
| ▽ = 0 | THIRD ANGLE PROJECTION | DRAWING D-SIZE | SERIES 70567 |

molex

4 SIDES SHROUDED HEADER
HIGH TEMP, (2.54)/.100 GRID W/ (0.64)/.025 PINS

PRODUCT CUSTOMER DRAWING

DOCUMENT NUMBER: SDA-70567-XXXX PSD 001 K5

MATERIAL NUMBER CUSTOMER GENERAL MARKET SHEET NUMBER 4 OF 8

| ENGINEERING NUMBER A-70567 | MANUFACTURE RELEASE STATUS | | | | | | | | | | | CONNECTOR END PLATING | | P.C. BOARD END PLATING | | PACKAGING INFORMATION PK-70873- |
|-------------------------------|----------------------------|--|--|--|--|--|--|--|--|--|--|-----------------------|----------------|------------------------|----------------|------------------------------------|
| | | | | | | | | | | | | TYPE | D MEAS. | TYPE | F MEAS. | |
| -0205/-0238 | R.F.M. | | | | | | | | | | | TIN | .100 (2.54) | TIN | .050 (1.27) | 0018 |
| -0239/-0272 | R.F.M. | | | | | | | | | | | TIN | .100 (2.54) | TIN | .050 (1.27) | 0018 |
| -0273/-0306 | R.F.M. | | | | | | | | | | | 15 GOLD | .100 (2.54) | TIN | .050 (1.27) | 0018 |
| -0307/-0340 | R.F.M. | | | | | | | | | | | 15 GOLD | .100 (2.54) | TIN | .050 (1.27) | 0018 |
| -0341/-0374 | R.F.M. | | | | | | | | | | | 30 GOLD | .100 (2.54) | TIN | .050 (1.27) | 0018 |
| -0375/-0408 | R.F.M. | | | | | | | | | | | 30 GOLD | .100 (2.54) | TIN | .050 (1.27) | 0018 |
| | | | | | | | | | | | | | | | | |
| | | | | | | | | | | | | | | | | |
| | | | | | | | | | | | | | | | | |

| NO. OF CKTS | OPTION "B" | | OPTION "B" | | OPTION "B" | | OPTION "B" | | OPTION "B" | | OPTION "B" | | | | | | | | NO. OF CKTS |
|-------------|------------|--------------|------------|--------------|------------|--------------|------------|--------------|------------|--------------|------------|--------------|------------|------------|------------|------------|------------|------------|-------------|
| | EDP NUMBER | ENG NUMBER | EDP NUMBER | ENG NUMBER | EDP NUMBER | ENG NUMBER | EDP NUMBER | ENG NUMBER | EDP NUMBER | ENG NUMBER | EDP NUMBER | ENG NUMBER | EDP NUMBER | ENG NUMBER | EDP NUMBER | ENG NUMBER | EDP NUMBER | ENG NUMBER | |
| 06 | 15-80-0067 | A-70567-0205 | 70567-0239 | A-70567-0239 | 15-80-0069 | A-70567-0273 | 70567-0307 | A-70567-0307 | 15-80-1061 | A-70567-0341 | 70567-0375 | A-70567-0375 | | | | | | | 06 |
| 08 | 15-80-0087 | A-70567-0206 | 70567-0240 | A-70567-0240 | 15-80-0089 | A-70567-0274 | 70567-0308 | A-70567-0308 | 15-80-1081 | A-70567-0342 | 70567-0376 | A-70567-0376 | | | | | | | 08 |
| 10 | 15-80-0107 | A-70567-0207 | 70567-0241 | A-70567-0241 | 15-80-0109 | A-70567-0275 | 70567-0309 | A-70567-0309 | 15-80-1101 | A-70567-0343 | 70567-0377 | A-70567-0377 | | | | | | | 10 |
| 12 | 15-80-0127 | A-70567-0208 | 70567-0242 | A-70567-0242 | 15-80-0129 | A-70567-0276 | 70567-0310 | A-70567-0310 | 15-80-1121 | A-70567-0344 | 70567-0378 | A-70567-0378 | | | | | | | 12 |
| 14 | 15-80-0147 | A-70567-0209 | 70567-0243 | A-70567-0243 | 15-80-0149 | A-70567-0277 | 70567-0311 | A-70567-0311 | 15-80-1141 | A-70567-0345 | 70567-0379 | A-70567-0379 | | | | | | | 14 |
| 16 | 15-80-0167 | A-70567-0210 | 70567-0244 | A-70567-0244 | 15-80-0169 | A-70567-0278 | 70567-0312 | A-70567-0312 | 15-80-1161 | A-70567-0346 | 70567-0380 | A-70567-0380 | | | | | | | 16 |
| 18 | 15-80-0187 | A-70567-0211 | 70567-0245 | A-70567-0245 | 15-80-0189 | A-70567-0279 | 70567-0313 | A-70567-0313 | 15-80-1181 | A-70567-0347 | 70567-0381 | A-70567-0381 | | | | | | | 18 |
| 20 | 15-80-0207 | A-70567-0212 | 70567-0246 | A-70567-0246 | 15-80-0209 | A-70567-0280 | 70567-0314 | A-70567-0314 | 15-80-1201 | A-70567-0348 | 70567-0382 | A-70567-0382 | | | | | | | 20 |
| 22 | 15-80-0227 | A-70567-0213 | 70567-0247 | A-70567-0247 | 15-80-0229 | A-70567-0281 | 70567-0315 | A-70567-0315 | 15-80-1221 | A-70567-0349 | 70567-0383 | A-70567-0383 | | | | | | | 22 |
| 24 | 15-80-0247 | A-70567-0214 | 70567-0248 | A-70567-0248 | 15-80-0249 | A-70567-0282 | 70567-0316 | A-70567-0316 | 15-80-1241 | A-70567-0350 | 70567-0384 | A-70567-0384 | | | | | | | 24 |
| 26 | 15-80-0267 | A-70567-0215 | 70567-0249 | A-70567-0249 | 15-80-0269 | A-70567-0283 | 70567-0317 | A-70567-0317 | 15-80-1261 | A-70567-0351 | 70567-0385 | A-70567-0385 | | | | | | | 26 |
| 28 | 15-80-0287 | A-70567-0216 | 70567-0250 | A-70567-0250 | 15-80-0289 | A-70567-0284 | 70567-0318 | A-70567-0318 | 15-80-1281 | A-70567-0352 | 70567-0386 | A-70567-0386 | | | | | | | 28 |
| 30 | 15-80-0307 | A-70567-0217 | 70567-0251 | A-70567-0251 | 15-80-0309 | A-70567-0285 | 70567-0319 | A-70567-0319 | 15-80-1301 | A-70567-0353 | 70567-0387 | A-70567-0387 | | | | | | | 30 |
| 32 | 15-80-0327 | A-70567-0218 | 70567-0252 | A-70567-0252 | 15-80-0329 | A-70567-0286 | 70567-0320 | A-70567-0320 | 15-80-1321 | A-70567-0354 | 70567-0388 | A-70567-0388 | | | | | | | 32 |
| 34 | 15-80-0347 | A-70567-0219 | 70567-0253 | A-70567-0253 | 15-80-0349 | A-70567-0287 | 70567-0321 | A-70567-0321 | 15-80-1341 | A-70567-0355 | 70567-0389 | A-70567-0389 | | | | | | | 34 |
| 36 | 15-80-0367 | A-70567-0220 | 70567-0254 | A-70567-0254 | 15-80-0369 | A-70567-0288 | 70567-0322 | A-70567-0322 | 15-80-1361 | A-70567-0356 | 70567-0390 | A-70567-0390 | | | | | | | 36 |
| 38 | 15-80-0387 | A-70567-0221 | 70567-0255 | A-70567-0255 | 15-80-0389 | A-70567-0289 | 70567-0323 | A-70567-0323 | 15-80-1381 | A-70567-0357 | 70567-0391 | A-70567-0391 | | | | | | | 38 |
| 40 | 15-80-0407 | A-70567-0222 | 70567-0256 | A-70567-0256 | 15-80-0409 | A-70567-0290 | 70567-0324 | A-70567-0324 | 15-80-1401 | A-70567-0358 | 70567-0392 | A-70567-0392 | | | | | | | 40 |
| 42 | 15-80-0427 | A-70567-0223 | 70567-0257 | A-70567-0257 | 15-80-0429 | A-70567-0291 | 70567-0325 | A-70567-0325 | 15-80-1421 | A-70567-0359 | 70567-0393 | A-70567-0393 | | | | | | | 42 |
| 44 | 15-80-0447 | A-70567-0224 | 70567-0258 | A-70567-0258 | 15-80-0449 | A-70567-0292 | 70567-0326 | A-70567-0326 | 15-80-1441 | A-70567-0360 | 70567-0394 | A-70567-0394 | | | | | | | 44 |
| 46 | 15-80-0467 | A-70567-0225 | 70567-0259 | A-70567-0259 | 15-80-0469 | A-70567-0293 | 70567-0327 | A-70567-0327 | 15-80-1461 | A-70567-0361 | 70567-0395 | A-70567-0395 | | | | | | | 46 |
| 48 | 15-80-0487 | A-70567-0226 | 70567-0260 | A-70567-0260 | 15-80-0489 | A-70567-0294 | 70567-0328 | A-70567-0328 | 15-80-1481 | A-70567-0362 | 70567-0396 | A-70567-0396 | | | | | | | 48 |
| 50 | 15-80-0507 | A-70567-0227 | 70567-0261 | A-70567-0261 | 15-80-0509 | A-70567-0295 | 70567-0329 | A-70567-0329 | 15-80-1501 | A-70567-0363 | 70567-0397 | A-70567-0397 | | | | | | | 50 |
| 52 | 15-80-0527 | A-70567-0228 | 70567-0262 | A-70567-0262 | 15-80-0529 | A-70567-0296 | 70567-0330 | A-70567-0330 | 15-80-1521 | A-70567-0364 | 70567-0398 | A-70567-0398 | | | | | | | 52 |
| 54 | 15-80-0547 | A-70567-0229 | 70567-0263 | A-70567-0263 | 15-80-0549 | A-70567-0297 | 70567-0331 | A-70567-0331 | 15-80-1541 | A-70567-0365 | 70567-0399 | A-70567-0399 | | | | | | | 54 |
| 56 | 15-80-0567 | A-70567-0230 | 70567-0264 | A-70567-0264 | 15-80-0569 | A-70567-0298 | 70567-0332 | A-70567-0332 | 15-80-1561 | A-70567-0366 | 70567-0400 | A-70567-0400 | | | | | | | 56 |
| 58 | 15-80-0587 | A-70567-0231 | 70567-0265 | A-70567-0265 | 15-80-0589 | A-70567-0299 | 70567-0333 | A-70567-0333 | 15-80-1581 | A-70567-0367 | 70567-0401 | A-70567-0401 | | | | | | | 58 |
| 60 | 15-80-0607 | A-70567-0232 | 70567-0266 | A-70567-0266 | 15-80-0609 | A-70567-0300 | 70567-0334 | A-70567-0334 | 15-80-1601 | A-70567-0368 | 70567-0402 | A-70567-0402 | | | | | | | 60 |
| 62 | 15-80-0627 | A-70567-0233 | 70567-0267 | A-70567-0267 | 15-80-0629 | A-70567-0301 | 70567-0335 | A-70567-0335 | 15-80-1621 | A-70567-0369 | 70567-0403 | A-70567-0403 | | | | | | | 62 |
| 64 | 15-80-0647 | A-70567-0234 | 70567-0268 | A-70567-0268 | 15-80-0649 | A-70567-0302 | 70567-0336 | A-70567-0336 | 15-80-1641 | A-70567-0370 | 70567-0404 | A-70567-0404 | | | | | | | 64 |
| 66 | 15-80-0667 | A-70567-0235 | 70567-0269 | A-70567-0269 | 15-80-0669 | A-70567-0303 | 70567-0337 | A-70567-0337 | 15-80-1661 | A-70567-0371 | 70567-0405 | A-70567-0405 | | | | | | | 66 |
| 68 | 15-80-0687 | A-70567-0236 | 70567-0270 | A-70567-0270 | 15-80-0689 | A-70567-0304 | 70567-0338 | A-70567-0338 | 15-80-1681 | A-70567-0372 | 70567-0406 | A-70567-0406 | | | | | | | 68 |
| 70 | 15-80-0707 | A-70567-0237 | 70567-0271 | A-70567-0271 | 15-80-0709 | A-70567-0305 | 70567-0339 | A-70567-0339 | 15-80-1701 | A-70567-0373 | 70567-0407 | A-70567-0407 | | | | | | | 70 |
| 72 | 15-80-0727 | A-70567-0238 | 70567-0272 | A-70567-0272 | 15-80-0729 | A-70567-0306 | 70567-0340 | A-70567-0340 | 15-80-1721 | A-70567-0374 | 70567-0408 | A-70567-0408 | | | | | | | 72 |

THIS DRAWING CONTAINS INFORMATION THAT IS PROPRIETARY TO MOLEX ELECTRONIC TECHNOLOGIES, LLC AND SHOULD NOT BE USED WITHOUT WRITTEN PERMISSION

SYMBOLS
 ⚠ = 0
 ⚠ = 0
 ⚠ = 0
 ⚠ = 0
 ⚠ = 0
 ⚠ = 0
 ☒ = 0
 ■ = 0
 ⚠ = 0

DIMENSION UNITS: MM
 SCALE: 1:1
 CURRENT REV DESC:

GENERAL TOLERANCES (UNLESS SPECIFIED)
 4 PLACES ± ±
 3 PLACES ± ± 0.005
 2 PLACES ± 0.13 ± 0.01
 1 PLACE ± 0.25 ±
 0 PLACES ± ±

ANGULAR TOL ± 0.5°
 DRAFT WHERE APPLICABLE MUST REMAIN WITHIN DIMENSIONS
 THIRD ANGLE PROJECTION
 DRAWING: D-SIZE
 SERIES: 70567

EC NO: 637057
 DRWN: ABABUPS 2020/05/05
 CHK'D: MRAMAKRISHNA 2020/05/06
 APPR: MRAMAKRISHNA 2020/05/06

INITIAL REVISION:
 DRWN:
 APPR:

molex
 4 SIDES SHROUDED HEADER
 HIGH TEMP, (2.54)/.100 GRID W/ (0.64)/.025 PINS

PRODUCT CUSTOMER DRAWING

DOCUMENT NUMBER: SDA-70567-XXXX
 DOC TYPE: PSD
 DOC PART: 001
 REVISION: K5

MATERIAL NUMBER: GENERAL MARKET
 SHEET NUMBER: 5 OF 8

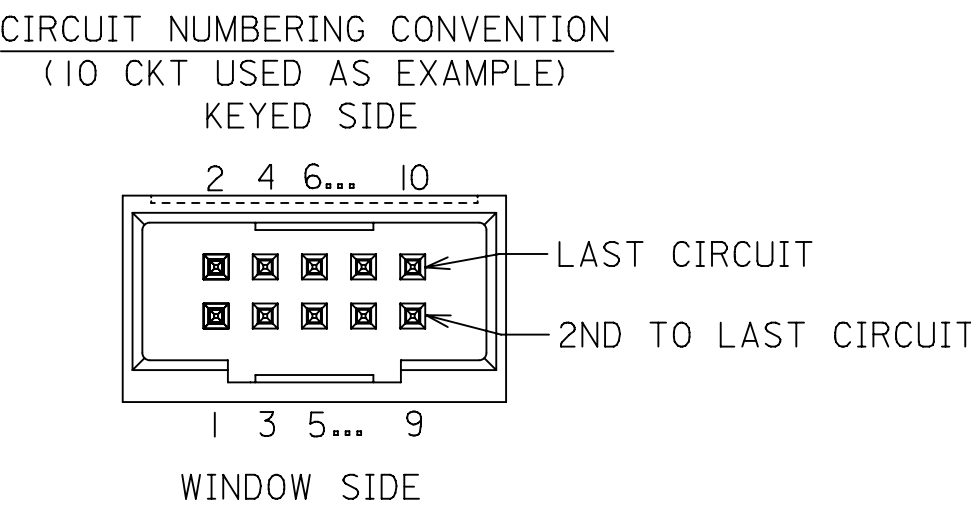
| ENGINEERING NUMBER A-70567 | MANUFACTURING RELEASE STATUS | | | | | E REF. | C ± 0.015 (0.38) | | | CONNECTOR END PLATING | | P.C. BOARD END PLATING | | | PACKAGING INFORMATION PK-70873- |
|-------------------------------|------------------------------|--|--|--|--|-------------|------------------|--|--|-----------------------|-------------|------------------------|--|-------------|---------------------------------|
| | | | | | | | | | | TYPE | D MEAS. | TYPE | | F MEAS. | |
| -0409/-0442 | R.F.M | | | | | .130 (3.30) | .315 (8.00) | | | TIN | .100 (2.54) | TIN | | .050 (1.27) | 0018 |
| -0443/-0476 | R.F.M | | | | | .200 (5.08) | .315 (8.00) | | | TIN | .100 (2.54) | TIN | | .050 (1.27) | 0018 |
| -0477/-0510 | R.F.M | | | | | .130 (3.30) | .315 (8.00) | | | GOLD | .100 (2.54) | TIN | | .050 (1.27) | 0018 |
| -0511/-0544 | R.F.M | | | | | .200 (5.08) | .315 (8.00) | | | GOLD | .100 (2.54) | TIN | | .050 (1.27) | 0018 |
| -0545/-0578 | R.F.M | | | | | .130 (3.30) | .315 (8.00) | | | GOLD | .100 (2.54) | TIN | | .050 (1.27) | 0018 |
| -0579/-0612 | R.F.M | | | | | .200 (5.08) | .315 (8.00) | | | GOLD | .100 (2.54) | TIN | | .050 (1.27) | 0018 |
| | | | | | | | | | | | | | | | |

| NO. OF CKTS | OPTION "C" | | OPTION "C" | | OPTION "C" | | OPTION "C" | | OPTION "C" | | OPTION "C" | | | | | | NO. OF CKTS |
|-------------|------------|--------------|---------------|------------|--------------|---------------|------------|--------------|---------------|------------|------------|------------|------------|------------|------------|------------|-------------|
| | EDP NUMBER | ENG NUMBER | EDP NUMBER | ENG NUMBER | EDP NUMBER | ENG NUMBER | EDP NUMBER | ENG NUMBER | EDP NUMBER | ENG NUMBER | EDP NUMBER | ENG NUMBER | EDP NUMBER | ENG NUMBER | EDP NUMBER | ENG NUMBER | |
| 06 | 15-80-1062 | A-70567-0409 | AX-70567-0443 | 15-80-1063 | A-70567-0477 | AX-70567-0511 | 15-80-1064 | A-70567-0545 | AX-70567-0579 | | | | | | | 06 | |
| 08 | 15-80-1082 | A-70567-0410 | AX-70567-0444 | 15-80-1083 | A-70567-0478 | AX-70567-0512 | 15-80-1084 | A-70567-0546 | AX-70567-0580 | | | | | | | 08 | |
| 10 | 15-80-1102 | A-70567-0411 | AX-70567-0445 | 15-80-1103 | A-70567-0479 | AX-70567-0513 | 15-80-1104 | A-70567-0547 | AX-70567-0581 | | | | | | | 10 | |
| 12 | 15-80-1122 | A-70567-0412 | AX-70567-0446 | 15-80-1123 | A-70567-0480 | AX-70567-0514 | 15-80-1124 | A-70567-0548 | AX-70567-0582 | | | | | | | 12 | |
| 14 | 15-80-1142 | A-70567-0413 | AX-70567-0447 | 15-80-1143 | A-70567-0481 | AX-70567-0515 | 15-80-1144 | A-70567-0549 | AX-70567-0583 | | | | | | | 14 | |
| 16 | 15-80-1162 | A-70567-0414 | AX-70567-0448 | 15-80-1163 | A-70567-0482 | AX-70567-0516 | 15-80-1164 | A-70567-0550 | AX-70567-0584 | | | | | | | 16 | |
| 18 | 15-80-1182 | A-70567-0415 | AX-70567-0449 | 15-80-1183 | A-70567-0483 | AX-70567-0517 | 15-80-1184 | A-70567-0551 | AX-70567-0585 | | | | | | | 18 | |
| 20 | 15-80-1202 | A-70567-0416 | AX-70567-0450 | 15-80-1203 | A-70567-0484 | AX-70567-0518 | 15-80-1204 | A-70567-0552 | AX-70567-0586 | | | | | | | 20 | |
| 22 | 15-80-1222 | A-70567-0417 | AX-70567-0451 | 15-80-1223 | A-70567-0485 | AX-70567-0519 | 15-80-1224 | A-70567-0553 | AX-70567-0587 | | | | | | | 22 | |
| 24 | 15-80-1242 | A-70567-0418 | AX-70567-0452 | 15-80-1243 | A-70567-0486 | AX-70567-0520 | 15-80-1244 | A-70567-0554 | AX-70567-0588 | | | | | | | 24 | |
| 26 | 15-80-1262 | A-70567-0419 | AX-70567-0453 | 15-80-1263 | A-70567-0487 | AX-70567-0521 | 15-80-1264 | A-70567-0555 | AX-70567-0589 | | | | | | | 26 | |
| 28 | 15-80-1282 | A-70567-0420 | AX-70567-0454 | 15-80-1283 | A-70567-0488 | AX-70567-0522 | 15-80-1284 | A-70567-0556 | AX-70567-0590 | | | | | | | 28 | |
| 30 | 15-80-1302 | A-70567-0421 | AX-70567-0455 | 15-80-1303 | A-70567-0489 | AX-70567-0523 | 15-80-1304 | A-70567-0557 | AX-70567-0591 | | | | | | | 30 | |
| 32 | 15-80-1322 | A-70567-0422 | AX-70567-0456 | 15-80-1323 | A-70567-0490 | AX-70567-0524 | 15-80-1324 | A-70567-0558 | AX-70567-0592 | | | | | | | 32 | |
| 34 | 15-80-1342 | A-70567-0423 | AX-70567-0457 | 15-80-1343 | A-70567-0491 | AX-70567-0525 | 15-80-1344 | A-70567-0559 | AX-70567-0593 | | | | | | | 34 | |
| 36 | 15-80-1362 | A-70567-0424 | AX-70567-0458 | 15-80-1363 | A-70567-0492 | AX-70567-0526 | 15-80-1364 | A-70567-0560 | AX-70567-0594 | | | | | | | 36 | |
| 38 | 15-80-1382 | A-70567-0425 | AX-70567-0459 | 15-80-1383 | A-70567-0493 | AX-70567-0527 | 15-80-1384 | A-70567-0561 | AX-70567-0595 | | | | | | | 38 | |
| 40 | 15-80-1402 | A-70567-0426 | AX-70567-0460 | 15-80-1403 | A-70567-0494 | AX-70567-0528 | 15-80-1404 | A-70567-0562 | AX-70567-0596 | | | | | | | 40 | |
| 42 | 15-80-1422 | A-70567-0427 | AX-70567-0461 | 15-80-1423 | A-70567-0495 | AX-70567-0529 | 15-80-1424 | A-70567-0563 | AX-70567-0597 | | | | | | | 42 | |
| 44 | 15-80-1442 | A-70567-0428 | AX-70567-0462 | 15-80-1443 | A-70567-0496 | AX-70567-0530 | 15-80-1444 | A-70567-0564 | AX-70567-0598 | | | | | | | 44 | |
| 46 | 15-80-1462 | A-70567-0429 | AX-70567-0463 | 15-80-1463 | A-70567-0497 | AX-70567-0531 | 15-80-1464 | A-70567-0565 | AX-70567-0599 | | | | | | | 46 | |
| 48 | 15-80-1482 | A-70567-0430 | AX-70567-0464 | 15-80-1483 | A-70567-0498 | AX-70567-0532 | 15-80-1484 | A-70567-0566 | AX-70567-0600 | | | | | | | 48 | |
| 50 | 15-80-1502 | A-70567-0431 | AX-70567-0465 | 15-80-1503 | A-70567-0499 | AX-70567-0533 | 15-80-1504 | A-70567-0567 | AX-70567-0601 | | | | | | | 50 | |
| 52 | 15-80-1522 | A-70567-0432 | AX-70567-0466 | 15-80-1523 | A-70567-0500 | AX-70567-0534 | 15-80-1524 | A-70567-0568 | AX-70567-0602 | | | | | | | 52 | |
| 54 | 15-80-1542 | A-70567-0433 | AX-70567-0467 | 15-80-1543 | A-70567-0501 | AX-70567-0535 | 15-80-1544 | A-70567-0569 | AX-70567-0603 | | | | | | | 54 | |
| 56 | 15-80-1562 | A-70567-0434 | AX-70567-0468 | 15-80-1563 | A-70567-0502 | AX-70567-0536 | 15-80-1564 | A-70567-0570 | AX-70567-0604 | | | | | | | 56 | |
| 58 | 15-80-1582 | A-70567-0435 | AX-70567-0469 | 15-80-1583 | A-70567-0503 | AX-70567-0537 | 15-80-1584 | A-70567-0571 | AX-70567-0605 | | | | | | | 58 | |
| 60 | 15-80-1602 | A-70567-0436 | AX-70567-0470 | 15-80-1603 | A-70567-0504 | AX-70567-0538 | 15-80-1604 | A-70567-0572 | AX-70567-0606 | | | | | | | 60 | |
| 62 | 15-80-1622 | A-70567-0437 | AX-70567-0471 | 15-80-1623 | A-70567-0505 | AX-70567-0539 | 15-80-1624 | A-70567-0573 | AX-70567-0607 | | | | | | | 62 | |
| 64 | 15-80-1642 | A-70567-0438 | AX-70567-0472 | 15-80-1643 | A-70567-0506 | AX-70567-0540 | 15-80-1644 | A-70567-0574 | AX-70567-0608 | | | | | | | 64 | |
| 66 | 15-80-1662 | A-70567-0439 | AX-70567-0473 | 15-80-1663 | A-70567-0507 | AX-70567-0541 | 15-80-1664 | A-70567-0575 | AX-70567-0609 | | | | | | | 66 | |
| 68 | 15-80-1682 | A-70567-0440 | AX-70567-0474 | 15-80-1683 | A-70567-0508 | AX-70567-0542 | 15-80-1684 | A-70567-0576 | AX-70567-0610 | | | | | | | 68 | |
| 70 | 15-80-1702 | A-70567-0441 | AX-70567-0475 | 15-80-1703 | A-70567-0509 | AX-70567-0543 | 15-80-1704 | A-70567-0577 | AX-70567-0611 | | | | | | | 70 | |
| 72 | 15-80-1722 | A-70567-0442 | AX-70567-0476 | 15-80-1723 | A-70567-0510 | AX-70567-0544 | 15-80-1724 | A-70567-0578 | AX-70567-0612 | | | | | | | 72 | |

| | | | | | | | | | | | | |
|----------------|---|-------|--|--|--|--------------|--|--|----------------|--|--|--|
| SYMBOLS | THIS DRAWING CONTAINS INFORMATION THAT IS PROPRIETARY TO MOLEX ELECTRONIC TECHNOLOGIES, LLC AND SHOULD NOT BE USED WITHOUT WRITTEN PERMISSION | | | | | | | | | | | |
| ▽ = 0 | DIMENSION UNITS | SCALE | CURRENT REV DESC: | | | | | | | | | <h1>molex</h1> |
| ▽ = 0 | MM | 1:1 | | | | | | | | | | |
| ▽ = 0 | GENERAL TOLERANCES (UNLESS SPECIFIED) | | EC NO: 637057 | | | | | | | | | 4 SIDES SHROUDED HEADER HIGH TEMP, (2.54)/.100 GRID W/ (0.64)/.025 PINS |
| ▽ = 0 | | | DRWN: ABABUPS 2020/05/05 | | | | | | | | | |
| ▽ = 0 | 4 PLACES ± ± | | CHK'D: MRAMAKRISHNA 2020/05/06 | | | | | | | | | PRODUCT CUSTOMER DRAWING |
| ▽ = 0 | 3 PLACES ± ± 0.005 | | APPR: MRAMAKRISHNA 2020/05/06 | | | | | | | | | |
| ▽ = 0 | 2 PLACES ± 0.13 ± 0.01 | | INITIAL REVISION: | | | | | | | | | DOCUMENT NUMBER |
| ▽ = 0 | 1 PLACE ± 0.25 ± | | DRWN: | | | | | | | | | |
| ⊠ = 0 | 0 PLACES ± ± | | APPR: | | | | | | | | | DOC TYPE |
| ⊠ = 0 | ANGULAR TOL ± 0.5 ° | | DRAFT WHERE APPLICABLE MUST REMAIN WITHIN DIMENSIONS | | | | | | | | | |
| ⊠ = 0 | | | THIRD ANGLE PROJECTION | | | DRAWING | | | SERIES | | | DOC PART |
| ⊠ = 0 | | | | | | D-SIZE 70567 | | | K5 | | | |
| | | | MATERIAL NUMBER | | | CUSTOMER | | | SHEET NUMBER | | | REVISION |
| | | | GENERAL MARKET | | | 6 OF 8 | | | SDA-70567-XXXX | | | |

SPECIAL - WITH VOIDS

| CKTS SIZE | ENGINEERING NUMBER A-70567 | EDP NUMBER 70567-9003 | E REF. | C $\pm \frac{.015}{(0.38)}$ | K $\pm \frac{.015}{(0.38)}$ | VOID CKTS | CONNECTOR END PLATING | | P.C. BOARD END PLATING | | | PACKAGING INFORMATION PK-70873-0018 |
|-----------|-------------------------------|--------------------------|----------------|-----------------------------|-----------------------------|-----------|-----------------------|----------------|------------------------|----------------|--|--|
| | | | | | | | TYPE | D MEAS. | TYPE | F MEAS. | | |
| 10 | -9003 | 70567-9003 | .130 (3.30) | .315 (8.00) | .415 (10.54) | 10 | GOLD | .100 (2.54) | TIN | .050 (.127) | | |
| | | | | | | | | | | | | |
| | | | | | | | | | | | | |
| | | | | | | | | | | | | |
| | | | | | | | | | | | | |
| | | | | | | | | | | | | |
| | | | | | | | | | | | | |
| | | | | | | | | | | | | |
| | | | | | | | | | | | | |
| | | | | | | | | | | | | |
| | | | | | | | | | | | | |
| | | | | | | | | | | | | |
| | | | | | | | | | | | | |
| | | | | | | | | | | | | |



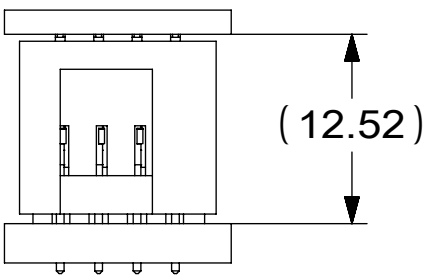
| | | | | | | |
|---|---|------------------------|--------|--------------|---------------------|------------|
| SYMBOLS ▽ = 0 ▽ = 0 ▽ = 0 ▽ = 0 ▽ = 0 ▽ = 0 ▽ = 0 ▽ = 0 ▽ = 0 ▽ = 0 ▽ = 0 | THIS DRAWING CONTAINS INFORMATION THAT IS PROPRIETARY TO MOLEX ELECTRONIC TECHNOLOGIES, LLC AND SHOULD NOT BE USED WITHOUT WRITTEN PERMISSION | | | | | |
| | DIMENSION UNITS | | SCALE | | CURRENT REV DESC: | |
| | MM | | 1:1 | | | |
| | GENERAL TOLERANCES (UNLESS SPECIFIED) | | | | | |
| | | | MM | INCH | EC NO: 637057 | |
| | 4 PLACES | | ± | ± | DRWN: ABABUPS | 2020/05/05 |
| | 3 PLACES | | ± | ± 0.005 | CHK'D: MRAMAKRISHNA | 2020/05/06 |
| | 2 PLACES | | ± 0.13 | ± 0.01 | APPR: MRAMAKRISHNA | 2020/05/06 |
| | 1 PLACE | | ± 0.25 | ± | INITIAL REVISION: | |
| | 0 PLACES | | ± | ± | DRWN: | |
| ANGULAR TOL | | ± 0.5 ° | | | | |
| DRAFT WHERE APPLICABLE MUST REMAIN WITHIN DIMENSIONS | | THIRD ANGLE PROJECTION | | DRAWING | SERIES | |
| | | | | C-SIZE | 70567 | |
| DOCUMENT NUMBER | | DOC TYPE | | DOC PART | REVISION | |
| SDA-70567-XXXX | | PSD | | 001 | K5 | |
| MATERIAL NUMBER | | CUSTOMER | | SHEET NUMBER | | |
| | | GENERAL MARKET | | 7 OF 8 | | |

molex

4 SIDES SHROUDED HEADER
HIGH TEMP, (2.54)/.100 GRID W/ (0.64)/.025 PINS

PRODUCT CUSTOMER DRAWING

BOARD TO BOARD (BTB) DISTANCE

| HEADER | MATES WITH (RECEPTACLE) | BTB DIST. | PICTORIAL VIEW |
|--------|-------------------------|-----------|--|
| 70567 | 71395 | 12.52 |  |

| | | | | |
|---------|---|--------|-----------------|--|
| SYMBOLS | THIS DRAWING CONTAINS INFORMATION THAT IS PROPRIETARY TO MOLEX ELECTRONIC TECHNOLOGIES, LLC AND SHOULD NOT BE USED WITHOUT WRITTEN PERMISSION | | | |
| | DIMENSION UNITS | SCALE | | CURRENT REV DESC: |
| = 0 | MM | 1:1 | | molex 4 SIDES SHROUDED HEADER HIGH TEMP, (2.54)/.100 GRID W/ (0.64)/.025 PINS PRODUCT CUSTOMER DRAWING |
| = 0 | GENERAL TOLERANCES (UNLESS SPECIFIED) | | | |
| = 0 | | MM | INCH | |
| = 0 | 4 PLACES | ± | ± | |
| = 0 | 3 PLACES | ± | ± 0.005 | |
| = 0 | 2 PLACES | ± 0.13 | ± 0.01 | |
| = 0 | 1 PLACE | ± 0.25 | ± | |
| = 0 | 0 PLACES | ± | ± | |
| = 0 | ANGULAR TOL ± 0.5 ° | | | EC NO: 637057 DRWN: ABABUPS 2020/05/05 CHK'D: MRAMAKRISHNA 2020/05/06 APPR: MRAMAKRISHNA 2020/05/06 |
| = 0 | DRAFT WHERE APPLICABLE MUST REMAIN WITHIN DIMENSIONS | | | INITIAL REVISION: DRWN: APPR: |
| = 0 | THIRD ANGLE PROJECTION | | DRAWING | SERIES |
| | | | D-SIZE | 70567 |
| | | | MATERIAL NUMBER | CUSTOMER |
| | | | SDA-70567-XXXX | GENERAL MARKET |
| | | | DOC TYPE | DOC PART |
| | | | PSD | 001 |
| | | | REVISION | K5 |
| | | | SHEET NUMBER | |
| | | | 8 OF 8 | |