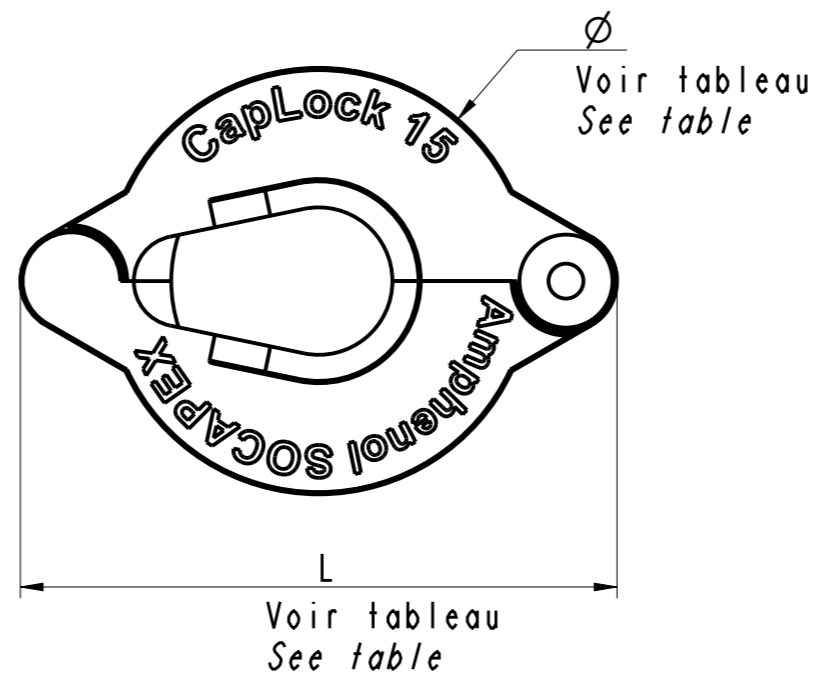
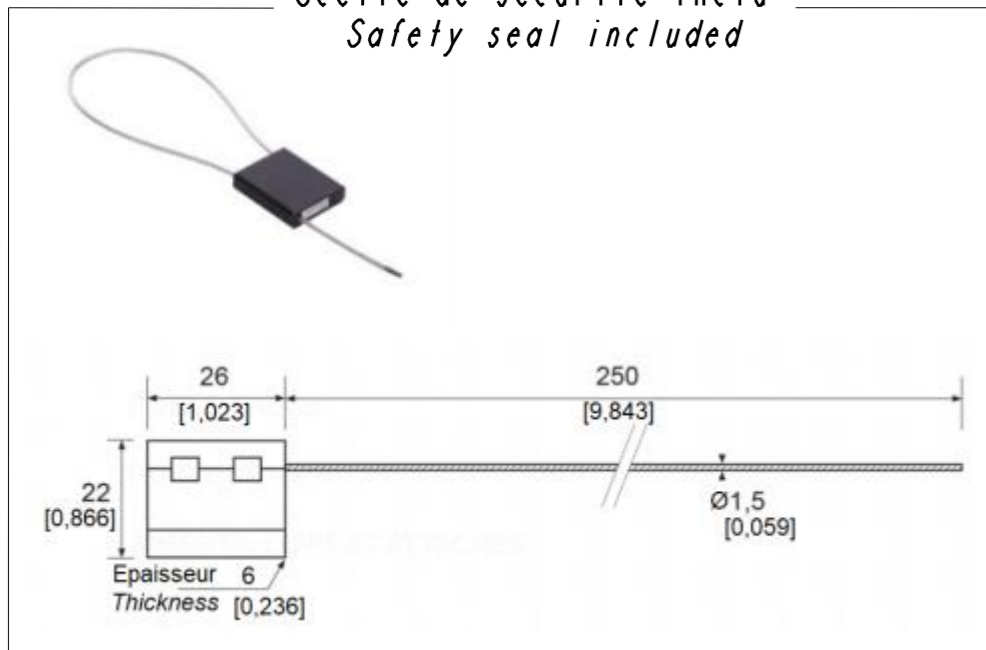
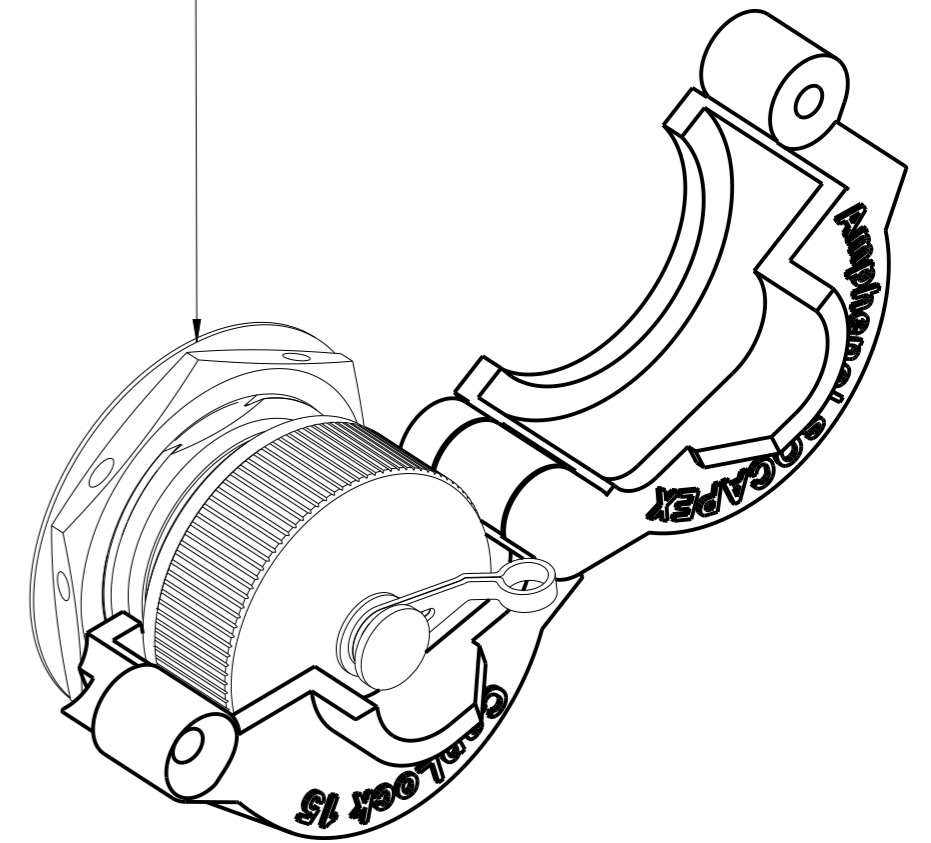


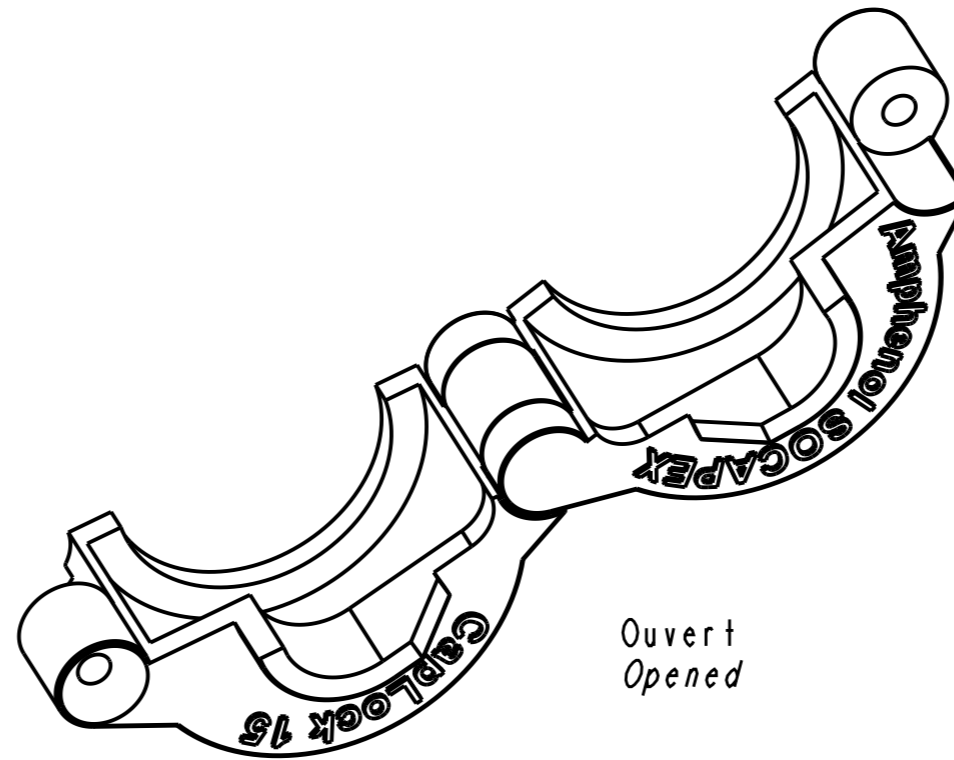
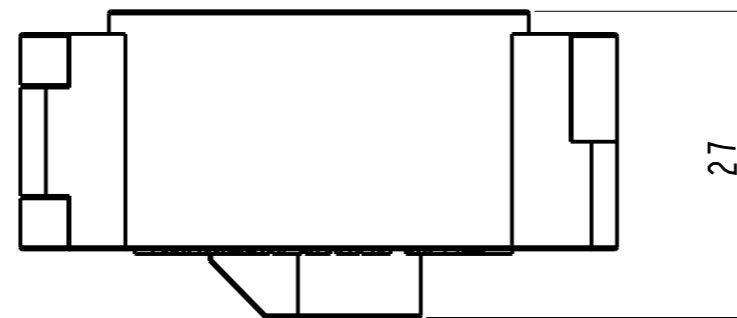
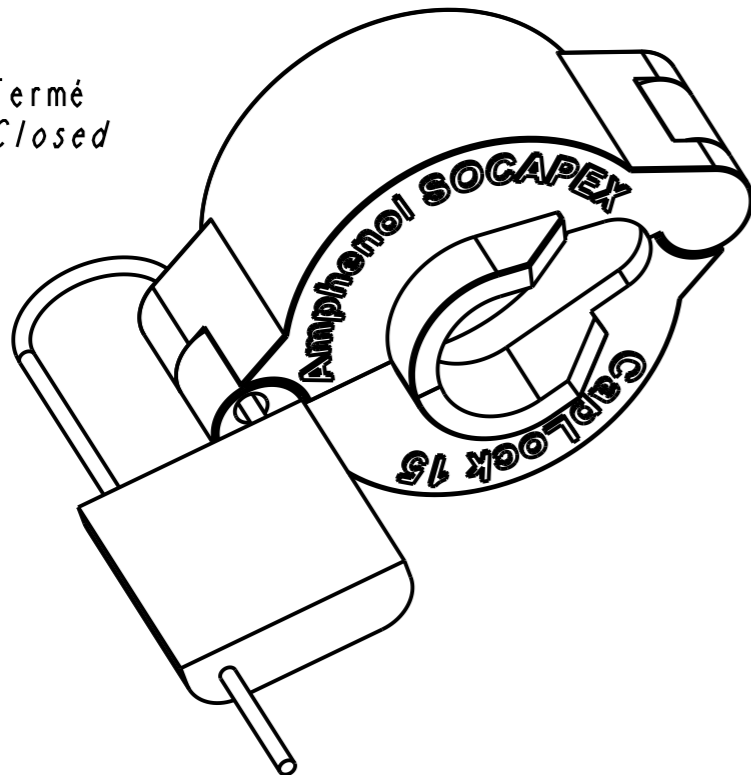
Scellé de sécurité inclu
Safety seal included



Embase + bouchon
type MIL-DTL-38999 série III
Receptacle + protective cap
type MIL-DTL-38999 serie III



Fermé
Closed



Ouvert
Opened

Taille (voir tableau)
Size (see table)

Scellé de sécurité inclu
Safety seal included

CapLock 15 WR

Bouchon plastique de cybersécurité
verrouillable pour embases
type MIL-DTL-38999 série III.

Lockable plastic cybersecurity cap for
type MIL-DTL-38999 serie III
receptacles.

Shell size	Ø ±0.2/[0.008]	L ±0.2/[0.008]
T09	28.6 / [1.102]	43.6 / [1.692]
T11	33.6 / [1.299]	48.6 / [1.889]
T13	36.6 / [1.417]	51.6 / [2.007]
T15	37.6 / [1.456]	52.6 / [2.047]
T17	42.6 / [1.653]	57.6 / [2.244]
T19	44.6 / [1.732]	59.6 / [2.322]
T21	47.6 / [1.850]	62.6 / [2.440]
T23	50.6 / [1.968]	65.6 / [2.559]
T25	54.6 / [2.125]	69.6 / [2.716]

APPROVAL FOR MANUFACTURING
Add missing specifications on the drawing if necessary (specific labellings, tolerances,...)

DRAWN BY : G TURPIN

UPDATED BY : L WALASZEK

LAST APPROVED BY : M RINSANT

CUSTOMER :

PROGRAM :

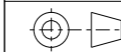
CUSTOMER
SIGNATURE

Name :

Date :

ALL
DIMENSIONS
ARE IN MM

SCALE : 1,5



AMPHENOL SOCAPEX

B.P. 29 74311 THYEZ CEDEX

ORIGINAL
DRAWING DATE :
17/02/22

CONFIGURATION
DATA ARE
AVAILABLE IN PDM

REV : C

PAGE : 1/1

191-PLC-1071-00

IN THE CONSTANT PURPOSE OF IMPROVING ITS PRODUCTS, Amphenol Socapex RESERVES THE RIGHT TO MODIFY ANY DIMENSION OR CHARACTERISTICS. FM.NPD.0076.THYEZ.PUNE rev A