

ClearClock™ Oscillator Family | Low Jitter | 7.0 x 5.0mm XO

AX7 Series

Request Samples



Check Inventory



ESD Sensitive



7.0 x 5.0 x 1.8 mm
RoHS/RoHS II Compliant
MSL Level = 1

Features

- 0.125ps typ jitter (150fs MAX $f > 200\text{MHz}$, 25°C)
- Highest in-class frequency range from 50 to 2100MHz
- Excellent spurious suppression
- 70mA MAX IDD (LVDS, any VDD)
- Lowest in-class power consumption
- Supports LVPECL, HCSL, LVDS, CML
- Supports $\pm 50\text{ppm}$ or $\pm 100\text{ppm}$ all inclusive stability
- -40°C to 85°C or -20°C to 70°C operation
- Industry standard 5x7mm footprint

Applications

- Networking and communications
- RF systems, base stations (BTS)
- Test and measurement
- Cloud, server and storage, Fibre Channel
- 100/400GbEthernet
- PCI Express

Key Electrical Specifications

Parameters		Min.	Typ.	Max.	Units	Notes
Frequency Range	LVPECL	50		2100	MHz	Option "P"
	LVDS	50		2100		Option "D"
	HCSL	50		700		Option "H"
	CML	50		2100		Option "M"
Power Supply Voltage (Vdd) ^[Note 1]		2.97	3.3	3.63	V	Option "A"
		2.25	2.5	2.75		Option "B"
		1.71	1.8	1.89		Option "C"
Current Consumption (Idd)	LVPECL		87	94	mA	@ Vdd=3.3V
	LVDS		64	70		
	HCSL		75	80		
	CML		63	68		@ Vdd=1.8V
Set Tolerance (as received) @ $25^\circ\text{C} \pm 3^\circ\text{C}$		-5.00	$\leq \pm 3.00$	+5.00	ppm	Relative to carrier
Operating Temperature Range (OTR)		-40		+85	$^\circ\text{C}$	See Options
Storage Temperature		-55		+150	$^\circ\text{C}$	
Frequency Stability over OTR		-25		+25	ppm	Options "D" or "F"
		-50		+50		Options "E" or "G"
Aging over 10-Year Product Life ^[Note 2]		-15		+15	ppm	
All Inclusive Frequency Accuracy over 10-Year Product Life ^[Note 2]		-50		+50	ppm	Specific to freq. stability options "D" or "F" ($\pm 25\text{ppm}$)
		-100		+100		Specific to freq. stability options "E" or "G" ($\pm 50\text{ppm}$)



5101 Hidden Creek Ln Spicewood TX 78669
Phone: 512-371-6159 | Fax: 512-351-8858
For terms and conditions of sales, please visit:
www.abracon.com

REVISED: 04-15-19

ABRACON IS
ISO9001-2015
CERTIFIED

ClearClock™ Oscillator Family | Low Jitter | 7.0 x 5.0mm XO

AX7 Series

Request Samples



Check Inventory



ESD Sensitive



7.0 x 5.0 x 1.8 mm
RoHS/RoHS II Compliant
MSL Level = 1

Parameters		Min.	Typ.	Max.	Units	Notes	
Rise (Tr) / Fall (Tf) Time	LVPECL/LVDS/CML			0.35	nS	20% ↔ 80% waveform	
	HCSL			0.40			
Duty Cycle		45		55	%	@ 50% Vdd	
Start-up Time ^[Note 2]			< 5.0	10	ms		
Output High Voltage (V _{OH}) Output Low Voltage (V _{OL})	LVPECL	V _{OH}	V _{dd} -1.165	V _{dd} -0.8	V	50Ω into V _{dd} -2.0V or Thevenin equivalent	
		V _{OL}	V _{dd} -2.0	V _{dd} -1.55			
	LVDS	V _{OH}		1.4		1.6	100Ω between OUT and OUTN
		V _{OL}	0.9	1.1			
	HCSL	V _{OH}	0.66			1.15	50Ω to V _{dd}
		V _{OL}	0.0			0.15	
CML	V _{OH}	V _{dd} -0.085		V _{dd} =Max	50Ω into GND		
	V _{OL}	V _{dd} -0.6		V _{dd} -0.32			
Output Enable (OE) Control		0.8*(V _{dd})		0.2*(V _{dd})	V		
Output Enable Time				2.5	ms		
Output Disable Time				10	μs		
Output Disable Current Consumption	LVPECL		85	86	mA	@ V _{dd} =3.3V	
	LVDS		63	65			
	HCSL		77	78		@ V _{dd} =1.8V	
	CML		62	67			
RMS Phase Jitter (12kHz -20MHz BW)							
201.0000MHz – 2100.0000MHz			125	150	fsec	@ V _{dd} =3.3V	
50.0000MHz – 200.0000MHz			200	300			
156.2500MHz			< 130	200			

Note 1: Supply Voltage (V_{dd}) = 1.8V option not available with LVPECL output

Note 2: Relative to initial measured frequency @ 25°C ±3°C



5101 Hidden Creek Ln Spicewood TX 78669
Phone: 512-371-6159 | Fax: 512-351-8858
For terms and conditions of sales, please visit:
www.abracon.com

REVISED: 04-15-19

ABRACON IS
ISO9001-2015
CERTIFIED

ClearClock™ Oscillator Family | Low Jitter | 7.0 x 5.0mm XO

AX7 Series

Request Samples



Check Inventory



ESD Sensitive



7.0 x 5.0 x 1.8 mm
RoHS/RoHS II Compliant
MSL Level = 1

Typical Phase Noise and Jitter Characteristics (@ 25°C ± 3°C)

Frequency (MHz)	148.35	150	155.52	156.25	156.25	200	212.5	312.5	
RF Output	LVDS	LVPECL	LVPECL	LVPECL	HCSL	LVPECL	LVDS	LVDS	
RMS Phase Jitter (fsec) 12kHz-20MHz BW	125	137	124	123	129	122	127	114	
Phase Noise (dBc/Hz)	100Hz	-96	-98	-98	-98	-99	-90	-83	-94
	1kHz	-120	-120	-120	-121	-121	-114	-114	-115
	10kHz	-132	-132	-132	-132	-132	-129	-129	-126
	100kHz	-140	-139	-141	-141	-140	-138	-137	-134
	1MHz	-149	-150	-151	-150	-151	-148	-147	-144
	10MHz	-157	-159	-159	-159	-160	-159	-157	-156
	20MHz	-157	-159	-159	-159	-160	-159	-157	-157

Frequency (MHz)	322.265625		491.52	644.53125	1000	1244.16	1500	2100	
RF Output	LVPECL	HCSL	LVPECL	LVPECL	LVDS	LVDS	LVDS	LVPECL	
RMS Phase Jitter (fsec) 12kHz-20MHz BW	121	121	123	127	114	127	112	138	
Phase Noise (dBc/Hz)	100Hz	-91	-92	-91	-77	-76	-78	-79	-77
	1kHz	-113	-114	-111	-107	-102	-102	-101	-98
	10kHz	-125	-125	-122	-119	-115	-113	-112	-108
	100kHz	-133	-133	-131	-127	-124	-122	-120	-117
	1MHz	-144	-144	-138	-138	-134	-131	-130	-124
	10MHz	-157	-157	-154	-154	-150	-149	-145	-145
	20MHz	-159	-159	-154	-155	-152	-150	-145	-148

Note 3: Refer to Section 1.2 for selected Phase Noise Plots



5101 Hidden Creek Ln Spicewood TX 78669
Phone: 512-371-6159 | Fax: 512-351-8858
For terms and conditions of sales, please visit:
www.abracon.com

REVISED: 04-15-19

ABRACON IS
ISO9001-2015
CERTIFIED

ClearClock™ Oscillator Family | Low Jitter | 7.0 x 5.0mm XO

AX7 Series

Request Samples



Check Inventory



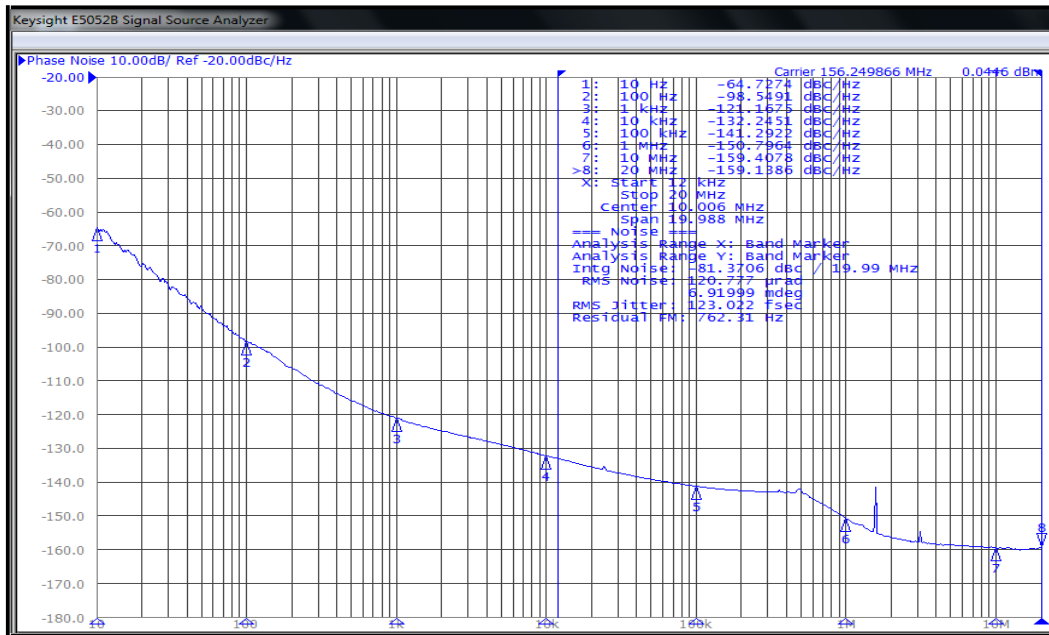
ESD Sensitive



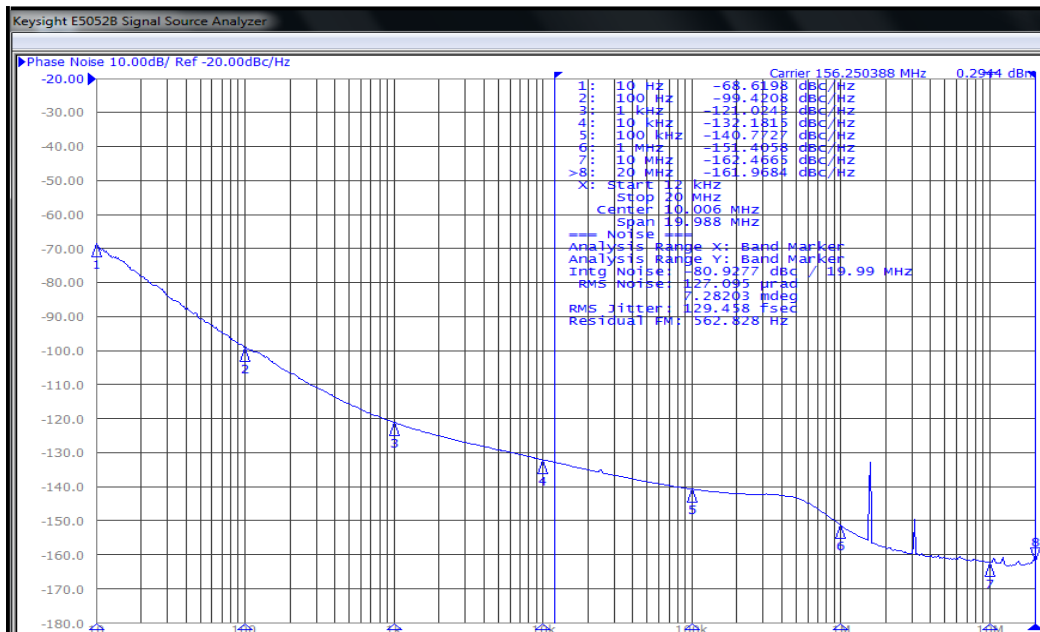
7.0 x 5.0 x 1.8 mm
RoHS/RoHS II Compliant
MSL Level = 1

Typical Phase Noise and Jitter Characteristics (@ 25°C ± 3°C) continued

156.25MHz – LVPECL – Vdd=3.3V



156.25MHz – HCSL – Vdd=1.8V



5101 Hidden Creek Ln Spicewood TX 78669
Phone: 512-371-6159 | Fax: 512-351-8858
For terms and conditions of sales, please visit:
www.abracon.com

REVISED: 04-15-19

ABRACON IS
ISO9001-2015
CERTIFIED

ClearClock™ Oscillator Family | Low Jitter | 7.0 x 5.0mm XO

AX7 Series

Request Samples



Check Inventory

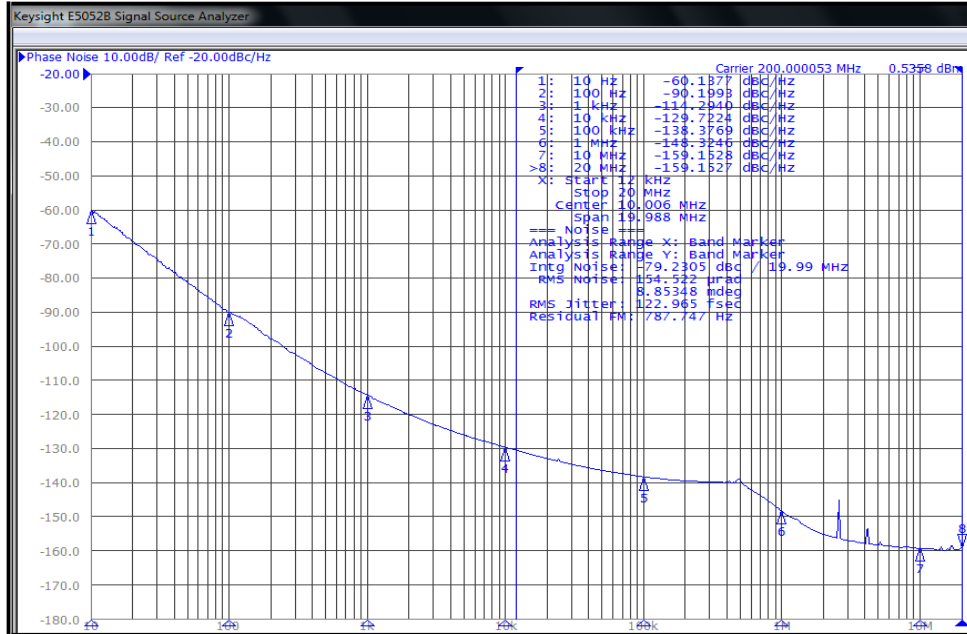


ESD Sensitive

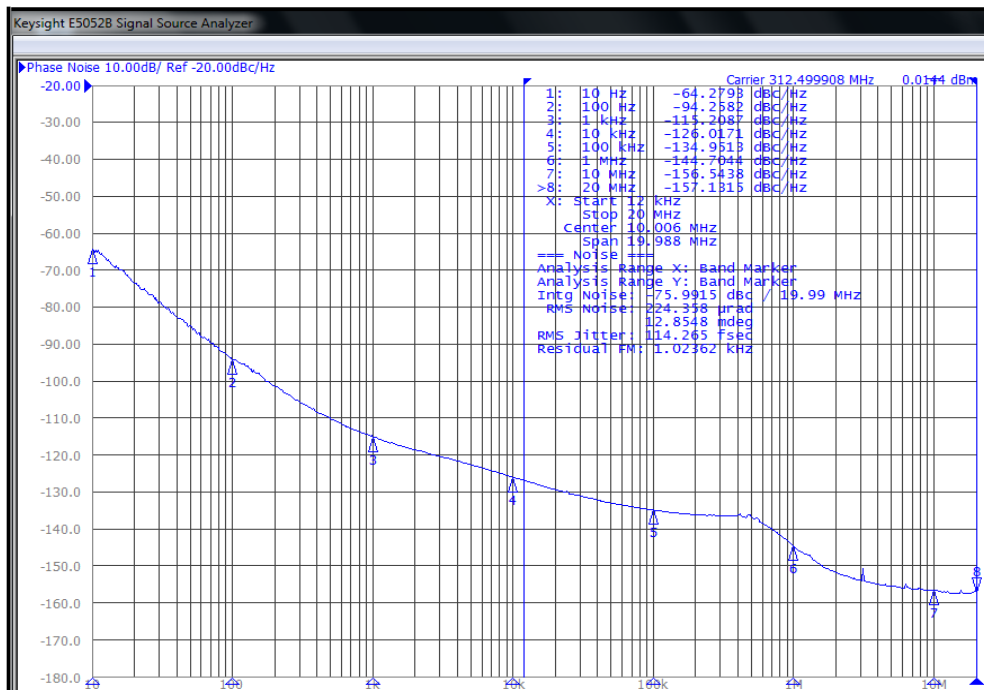


7.0 x 5.0 x 1.8 mm
RoHS/RoHS II Compliant
MSL Level = 1

200MHz – LVPECL – Vdd=3.3V



312.5MHz – LVDS – Vdd=3.3V



5101 Hidden Creek Ln Spicewood TX 78669
 Phone: 512-371-6159 | Fax: 512-351-8858
 For terms and conditions of sales, please visit:
www.abracon.com

REVISED: 04-15-19

ABRACON IS
 ISO9001-2015
 CERTIFIED

ClearClock™ Oscillator Family | Low Jitter | 7.0 x 5.0mm XO

AX7 Series

Request Samples



Check Inventory

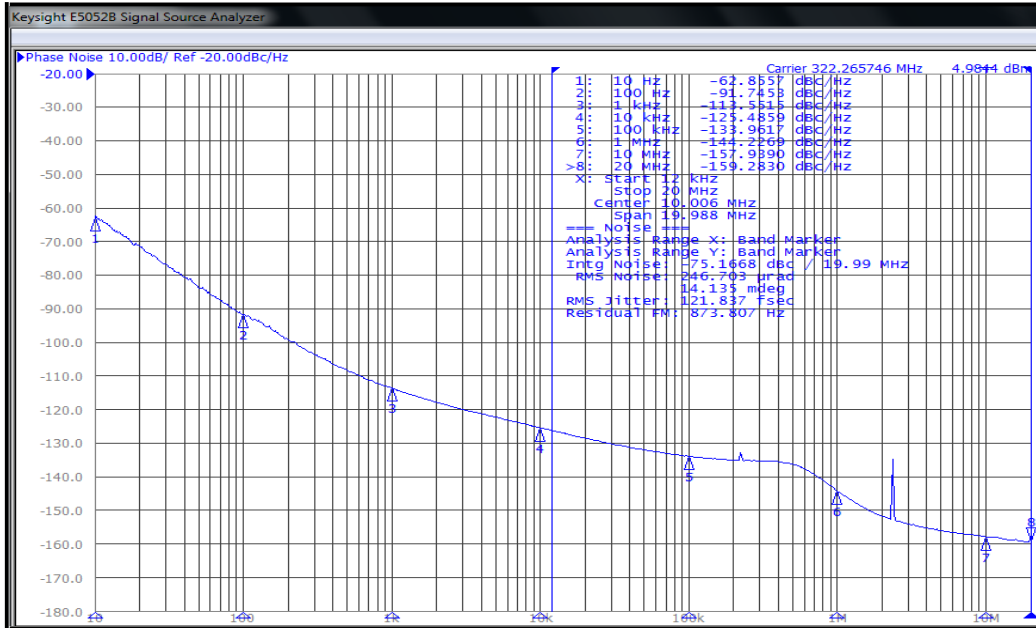


ESD Sensitive

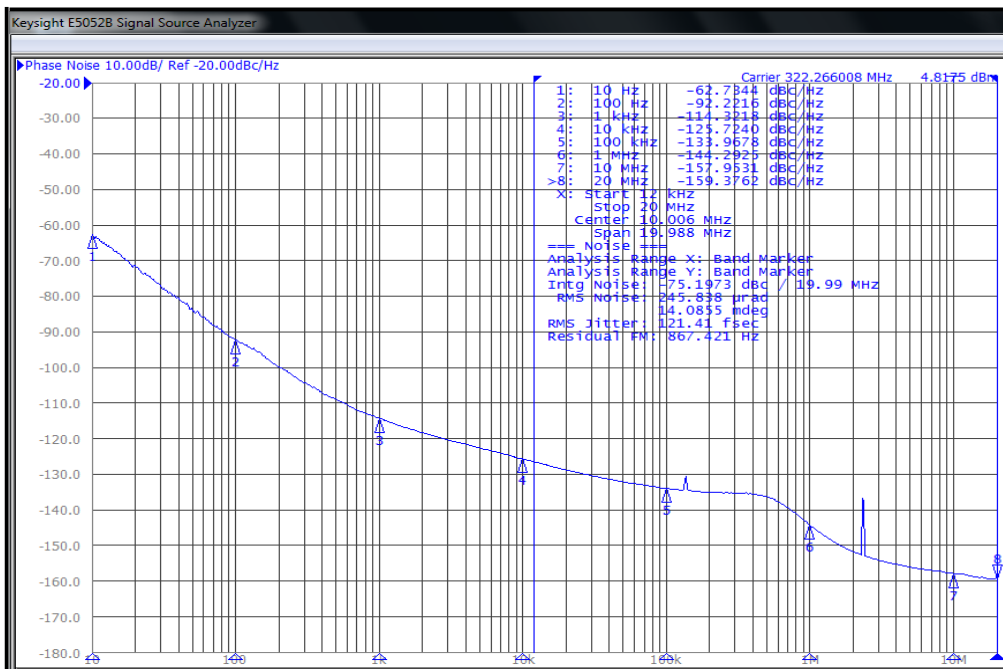


7.0 x 5.0 x 1.8 mm
RoHS/RoHS II Compliant
MSL Level = 1

322.265625MHz – LVPECL – Vdd=3.3V



322.265625MHz – HCSL – Vdd=3.3V



5101 Hidden Creek Ln Spicewood TX 78669
Phone: 512-371-6159 | Fax: 512-351-8858
For terms and conditions of sales, please visit:
www.abracon.com

REVISED: 04-15-19

ABRACON IS
ISO9001-2015
CERTIFIED

ClearClock™ Oscillator Family | Low Jitter | 7.0 x 5.0mm XO

AX7 Series

Request Samples



Check Inventory

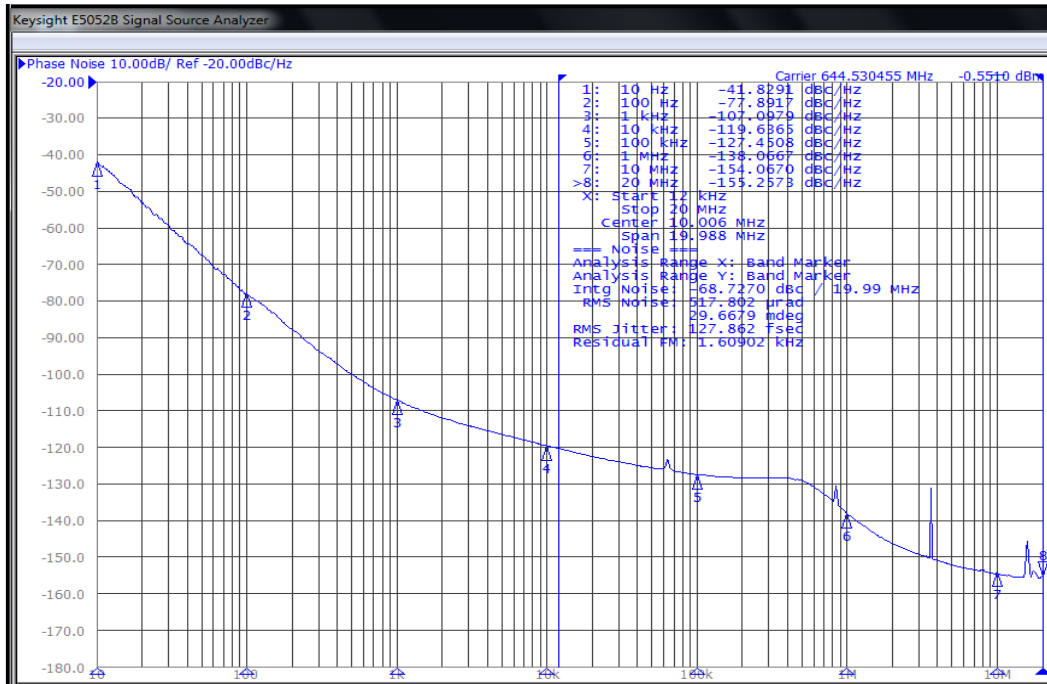


ESD Sensitive

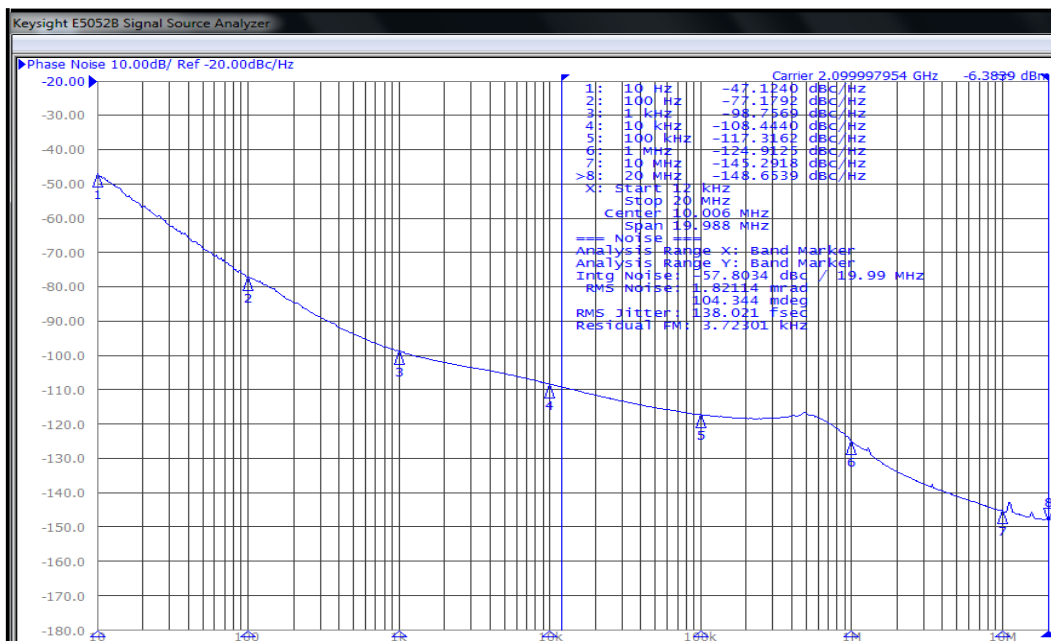


7.0 x 5.0 x 1.8 mm
RoHS/RoHS II Compliant
MSL Level = 1

644.53125MHz – LVPECL – V_{dd}=3.3V



2100MHz – LVPECL – V_{dd}=3.3V



5101 Hidden Creek Ln Spicewood TX 78669
Phone: 512-371-6159 | Fax: 512-351-8858
For terms and conditions of sales, please visit:
www.abracon.com

REVISED: 04-15-19

ABRACON IS
ISO9001-2015
CERTIFIED

ClearClock™ Oscillator Family | Low Jitter | 7.0 x 5.0mm XO

AX7 Series

Request Samples



Check Inventory



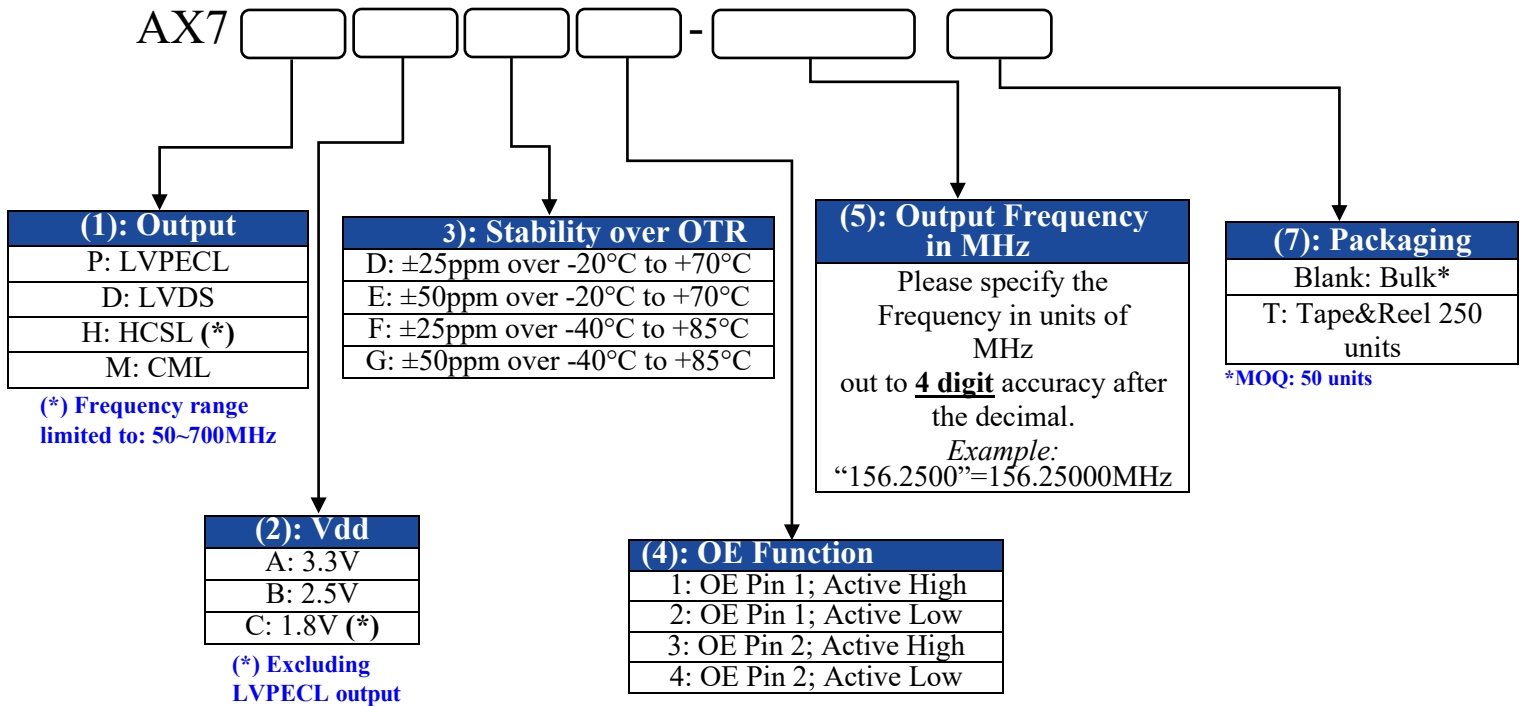
ESD Sensitive



7.0 x 5.0 x 1.8 mm
RoHS/RoHS II Compliant
MSL Level = 1

Options and Part Identification [Note 4]

Note 4: Contact Abracon for part number requests with carrier frequency callouts up to 5 & 6 digit accuracy after the decimal.



Part Number Example:
AX7PAF1-644.53125



5101 Hidden Creek Ln Spicewood TX 78669
Phone: 512-371-6159 | Fax: 512-351-8858
For terms and conditions of sales, please visit:
www.abracon.com

REVISED: 04-15-19

ABRACON IS
ISO9001-2015
CERTIFIED

ClearClock™ Oscillator Family | Low Jitter | 7.0 x 5.0mm XO

AX7 Series

Request Samples



Check Inventory

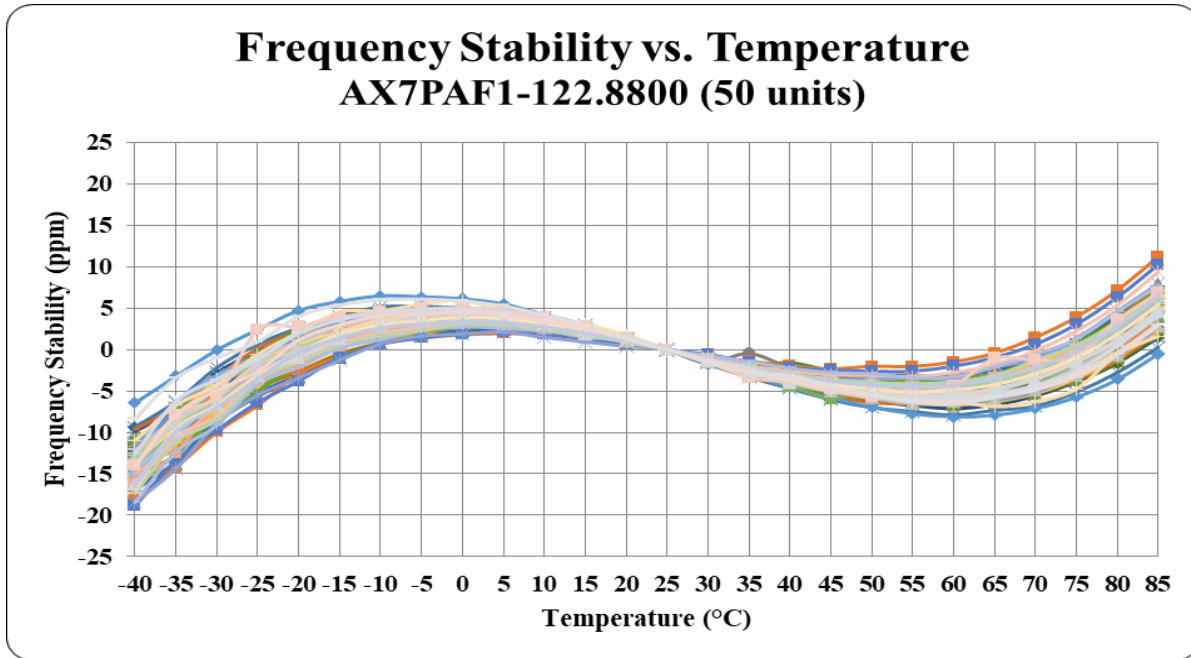


ESD Sensitive

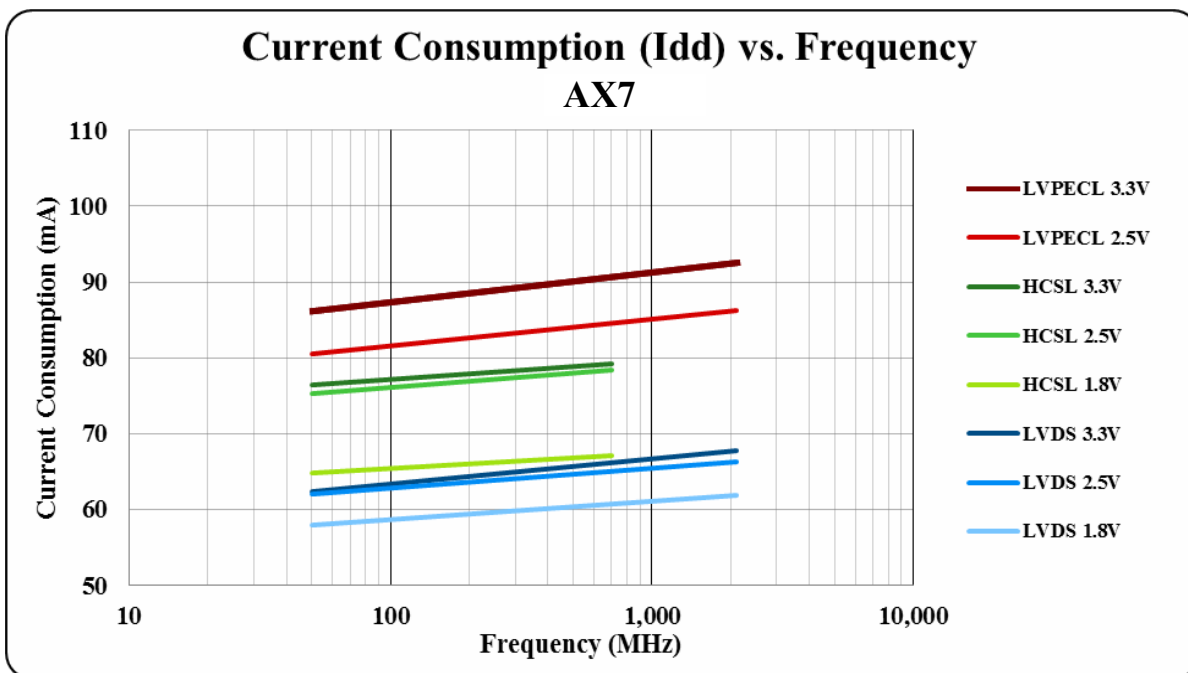


7.0 x 5.0 x 1.8 mm
RoHS/RoHS II Compliant
MSL Level = 1

Typical Frequency vs. Temperature Characteristics



Typical Current Consumption (I_{dd}) vs. Frequency Characteristics (@ 25°C ± 3°C)



ClearClock™ Oscillator Family | Low Jitter | 7.0 x 5.0mm XO

AX7 Series

Request Samples



Check Inventory



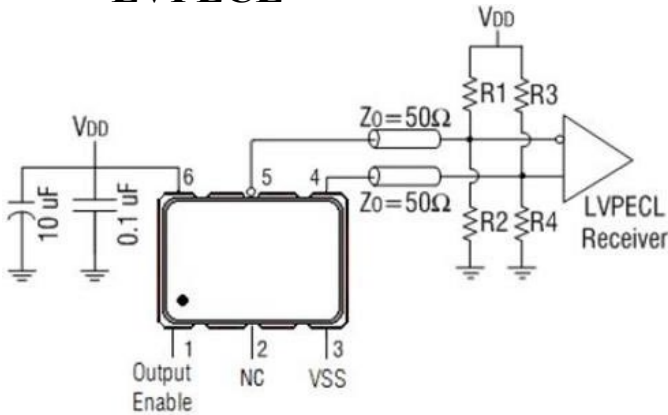
ESD Sensitive



7.0 x 5.0 x 1.8 mm
RoHS/RoHS II Compliant
MSL Level = 1

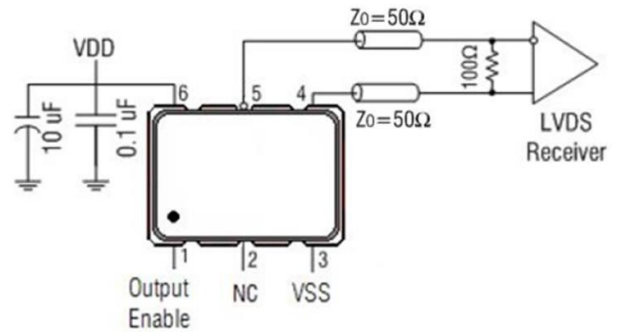
Recommended Test Circuit

LVPECL

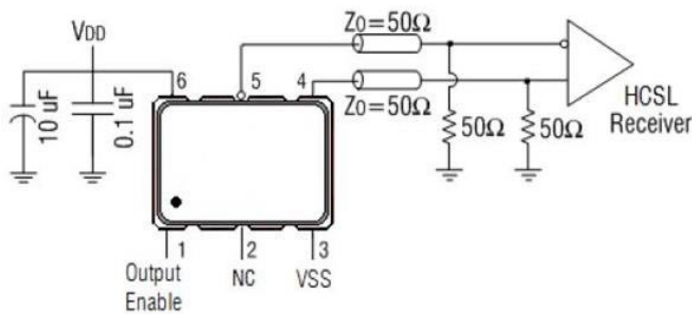


VDD=3.3V: R1=R3=127Ω; R2=R4=82.5Ω
VDD=2.5V: R1=R3=250Ω; R2=R4=62.5Ω

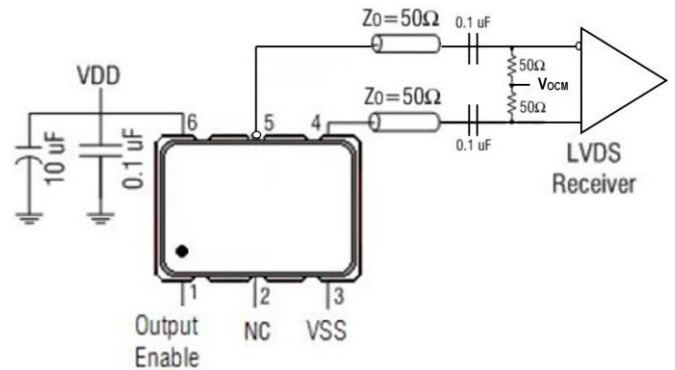
LVDS @ Vdd = 3.3V or 2.5V



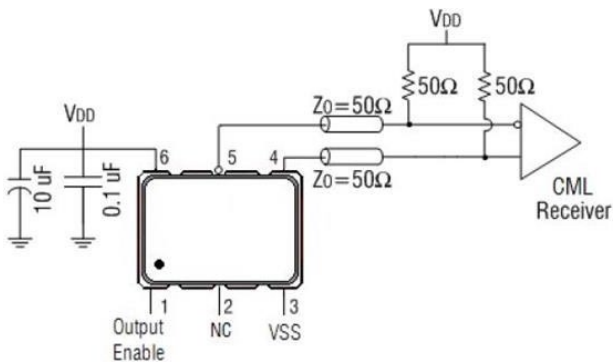
HCSL



LVDS @ Vdd = 1.8V



CML



ClearClock™ Oscillator Family | Low Jitter | 7.0 x 5.0mm XO

AX7 Series

Request Samples



Check Inventory

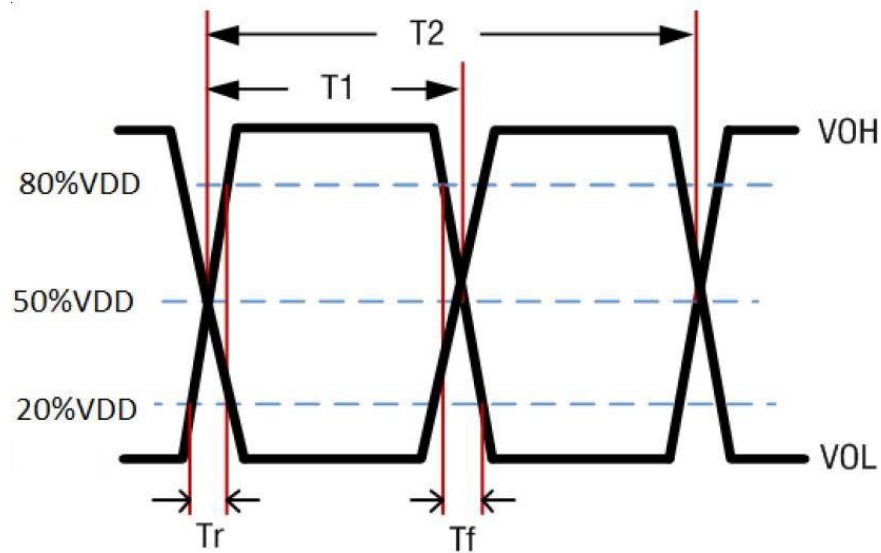


ESD Sensitive



7.0 x 5.0 x 1.8 mm
RoHS/RoHS II Compliant
MSL Level = 1

Differential Output Waveform



ClearClock™ Oscillator Family | Low Jitter | 7.0 x 5.0mm XO

AX7 Series

Request Samples



Check Inventory



ESD Sensitive



7.0 x 5.0 x 1.8 mm
RoHS/RoHS II Compliant
MSL Level = 1

Reflow Profile [JEDEC J-STD-020]

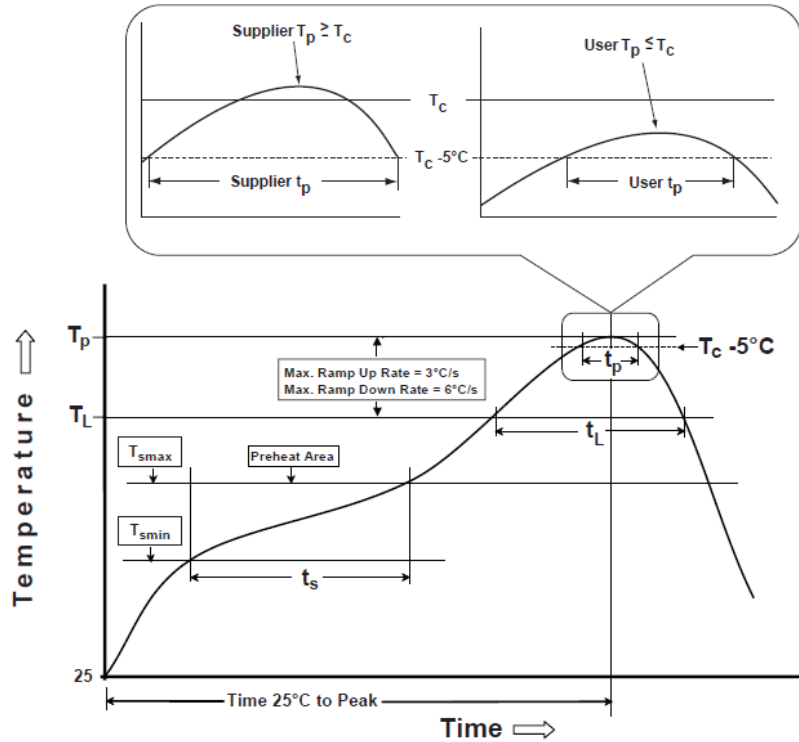


Table 1

SnPb Eutectic Process
Classification Temperatures (T_c)

Package Thickness	Volume mm ³ <350	Volume mm ³ ≥350
<2.5 mm	235 °C	220 °C
≥2.5 mm	220 °C	220 °C

Table 2

Pb-Free Process

Classification Temperatures (T_c)

Package Thickness	Volume mm ³ <350	Volume mm ³ 350-2000	Volume mm ³ >2000
<1.6 mm	260 °C	260 °C	260 °C
1.6 mm - 2.5 mm	260 °C	250 °C	245 °C
>2.5 mm	250 °C	245 °C	245 °C

Profile Feature	Sn-Pb Eutectic Assembly	Pb-Free Assembly
Preheat / soak		
Temperature minimum (T_{smin})	100°C	150°C
Temperature maximum (T_{smax})	150°C	200°C
Time (T_{smin} to T_{smax}) (t_s)	60 - 120 sec.	60 - 120 sec.
Average ramp-up rate (T_{smax} to T_p)	3°C/sec. max	3°C/sec. max
Liquidous temperature (T_L)	183°C	217°C
Time at liquidous (t_L)	60 - 150 sec.	60 - 150 sec.
Peak package body temperature (T_p)*	see Table 1	see Table 2
Time (t_p)** within 5°C of the specified classification temperature (T_c)	20 sec.	30 sec.
Ramp-down rate (T_p to T_{smax})	6°C/sec. max	6°C/sec. max
Time 25°C to peak temperature	6 min. max	8 min. max
Reflow cycles	2 max	2 max

*Tolerance for peak profile temperature (T_p) is defined as a supplier minimum and a user maximum.

**Tolerance for time at peak profile temperature (t_p) is defined as supplier minimum and a user maximum.

ClearClock™ Oscillator Family | Low Jitter | 7.0 x 5.0mm XO

AX7 Series

Request Samples



Check Inventory

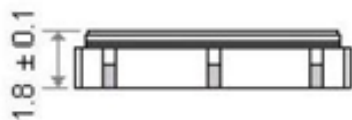
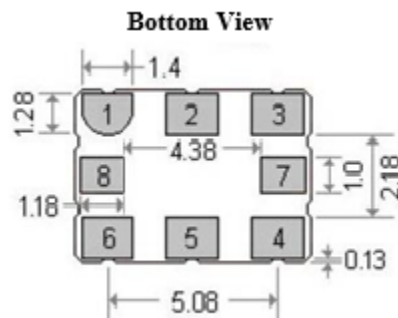
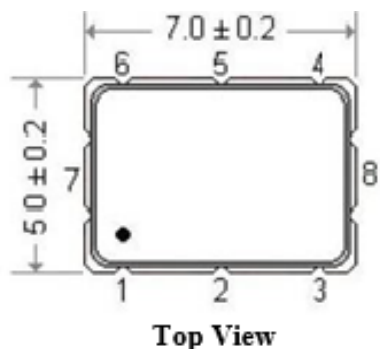


ESD Sensitive

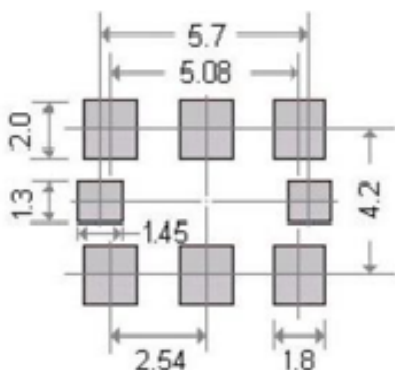


7.0 x 5.0 x 1.8 mm
RoHS/RoHS II Compliant
MSL Level = 1

Mechanical Dimensions



Recommended Land Pattern



Pin #	Function
# 1	Option 1 & 2: Output Enable/Disable Option 3 & 4: No Connect
# 2	Option 1 & 2: No Connect Option 3 & 4: Output Enable/Disable
# 3	GND
# 4	Output
# 5	Complementary output
# 6	Supply Voltage (Vdd)
# 7	No connect
# 8	No connect

Dimensions: mm

ClearClock™ Oscillator Family | Low Jitter | 7.0 x 5.0mm XO

AX7 Series

Request Samples



Check Inventory



ESD Sensitive



7.0 x 5.0 x 1.8 mm
RoHS/RoHS II Compliant
 MSL Level = 1

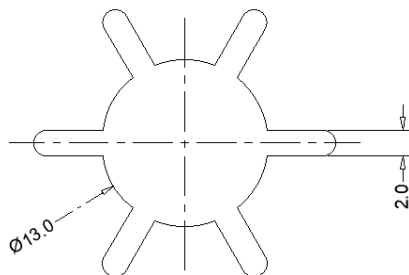
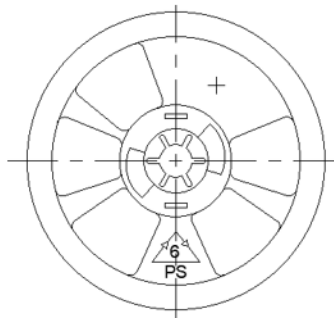
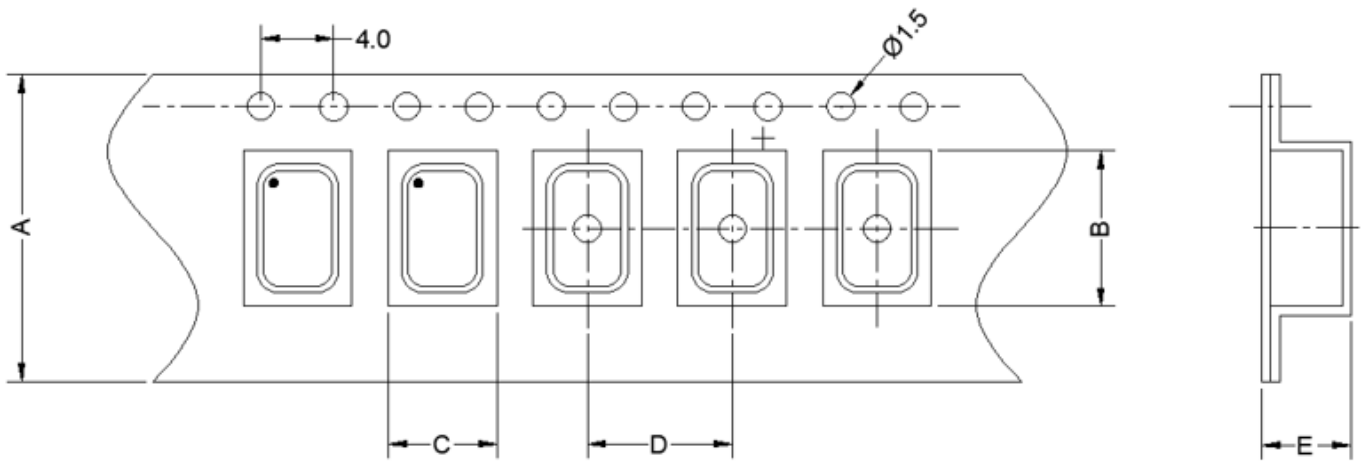
Packaging

Blank = Bulk*

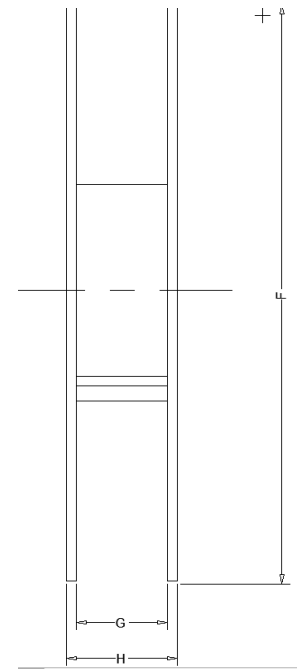
T = Tape & Reel 250 unit/reel

***MOQ=50 units**

Feeding (PULL) Direction →



Tape Dimensions	
A	16.0
B	7.2
C	5.4
D	8.0
E	1.8
Reel Dimensions	
F	180.0
G	16.5
H	19.6



ATTENTION: Abracon LLC's products are COTS – Commercial-Off-The-Shelf products; suitable for Commercial, Industrial and, where designated, Automotive Applications. Abracon's products are not specifically designed for Military, Aviation, Aerospace, Life-dependent Medical applications or any application requiring high reliability where component failure could result in loss of life and/or property. For applications requiring high reliability and/or presenting an extreme operating environment, written consent and authorization from Abracon LLC is required. Please contact Abracon LLC for more information.



5101 Hidden Creek Ln Spicewood TX 78669
 Phone: 512-371-6159 | Fax: 512-351-8858
 For terms and conditions of sales, please visit:
www.abracon.com

REVISED: 04-15-19

ABRACON IS
 ISO9001-2015
 CERTIFIED