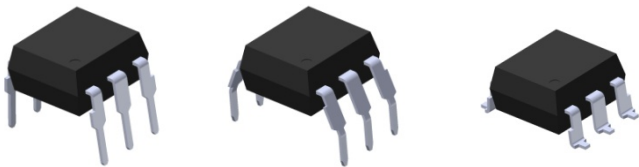


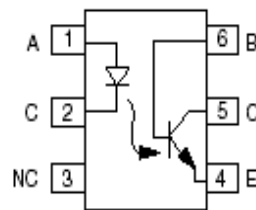
6 PIN DIP PHOTOTRANSISTOR PHOTOCOUPLER CNY17-X Series CNY17F-X Series



Features:

- Current transfer ratios in selected narrow range groups
CNY17-1, CNY17F-1: 40-80%
CNY17-2, CNY17F-2: 63-125%
CNY17-3, CNY17F-3: 100-200%
CNY17-4, CNY17F-4: 160-320%
- High isolation voltage between input and output
(Viso = 5000 Vrms)
- Creepage distance > 7.6 mm
- Operating temperature up to +110°C
- The CNY17F-X series offers no external base connection for minimum noise susceptibility
- Compact dual-in-line package
- Pb free and RoHS compliant.
- UL approved (No. E214129)
- VDE approved (No. 132249)
- SEMKO approved
- NEMKO approved
- DEMKO approved
- FIMKO approved
- CSA approved

Schematic

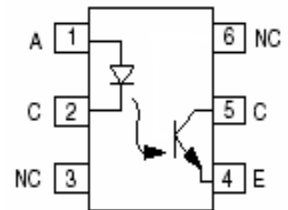


CNY17-X

Pin Configuration

1. Anode
2. Cathode
3. No Connection
4. Emitter
5. Collector
6. Base

Schematic



CNY17F-X

Pin Configuration

1. Anode
2. Cathode
3. No Connection
4. Emitter
5. Collector
6. No Connection

Description

The CNY17-X and CNY17F-X series of devices each consist of an infrared emitting diode optically coupled to a phototransistor. They are packaged in a 6-pin DIP package and available in wide-lead spacing and SMD option.

Applications

- Power supply regulators
- Digital logic inputs
- Microprocessor inputs

Absolute Maximum Ratings (Ta=25°C)

| | Parameter | Symbol | Rating | Unit |
|--------------------------------------|---|-----------|------------|-------|
| Input | Forward current | I_F | 60 | mA |
| | Peak forward current (t = 10μs) | I_{FM} | 1 | A |
| | Reverse voltage | V_R | 6 | V |
| | Power dissipation (T _A = 25°C) | P_D | 100 | mW |
| | Derating factor (above 100°C) | | 3.8 | mW/°C |
| Output | Collector-Emitter voltage | V_{CEO} | 80 | V |
| | Collector-Base voltage* ¹ | V_{CBO} | 80 | V |
| | Emitter-Collector voltage | V_{ECO} | 7 | V |
| | Emitter-Base voltage | V_{EBO} | 7 | V |
| | Power dissipation (T _A = 25°C) | P_C | 150 | mW |
| Derating factor (above 100°C) | 9.0 | | mW/°C | |
| Total Power Dissipation | | P_{TOT} | 200 | mW |
| Isolation voltage * ² | | V_{ISO} | 5000 | V rms |
| Operating Temperature | | T_{OPR} | -55 to 110 | °C |
| Storage Temperature | | T_{STG} | -55 to 125 | °C |
| Soldering temperature * ³ | | T_{SOL} | 260 | °C |

Notes:

*1 Only for CNY17-X series.

*2 AC for 1 minute, R.H.= 40 ~ 60% R.H. In this test, pins 1, 2 & 3 are shorted together, and pins 4, 5 & 6 are shorted together.

*3 For 10 seconds.

Electro-Optical Characteristics (Ta=25°C unless specified otherwise)

Input

| Parameter | Symbol | Min. | Typ. | Max. | Unit | Condition |
|-------------------|----------|------|------|------|---------------|--------------------------|
| Forward voltage | V_F | - | - | 1.65 | V | $I_F = 60\text{mA}$ |
| Reverse current | I_R | - | - | 10 | μA | $V_R = 6\text{V}$ |
| Input capacitance | C_{in} | - | 18 | - | pF | $V = 0, f = 1\text{MHz}$ |

Output

| Parameter | Symbol | Min | Typ. | Max. | Unit | Condition |
|--|------------|-----|------|------|------|---|
| Collector-Base dark current CNY17-X only | I_{CBO} | - | - | 20 | nA | $V_{CB} = 10\text{V}, I_F = 0\text{mA}$ |
| Collector-Emitter dark current | I_{CBO} | - | - | 50 | nA | $V_{CE} = 10\text{V}, I_F = 0\text{mA}$ |
| Collector-Emitter breakdown voltage | BV_{CEO} | 80 | - | - | V | $I_C = 1\text{mA}, I_F = 0\text{mA}$ |
| Collector-Base breakdown voltage CNY17-X only | BV_{CBO} | 80 | - | - | V | $I_C = 0.1\text{mA}, I_F = 0\text{mA}$ |
| Emitter-Collector breakdown voltage | BV_{ECO} | 7 | - | - | V | $I_E = 0.1\text{mA}, I_F = 0\text{mA}$ |
| Collector-Emitter capacitance | C_{CE} | - | 8 | - | pF | $V_{CE} = 0\text{V}, f = 1\text{MHz}$ |

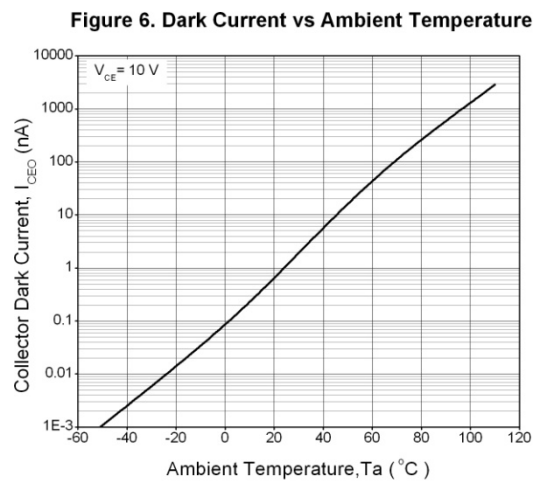
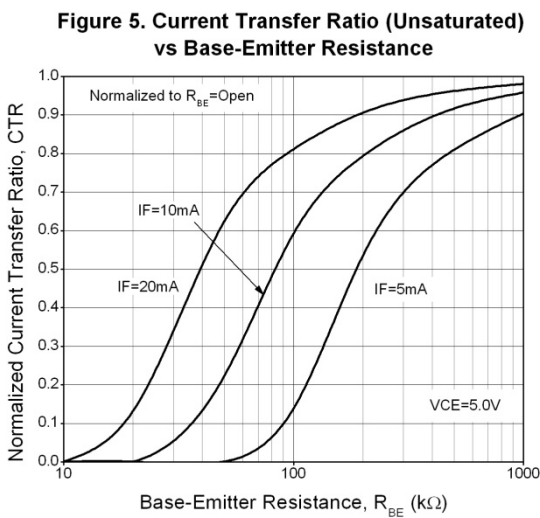
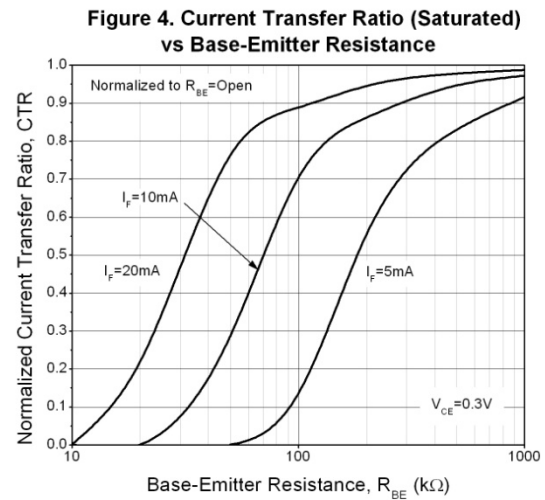
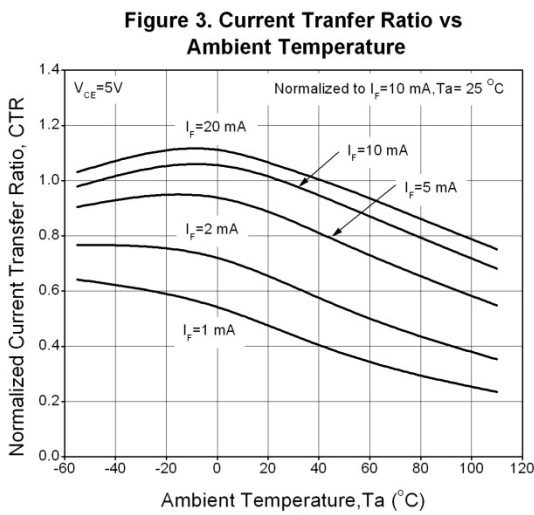
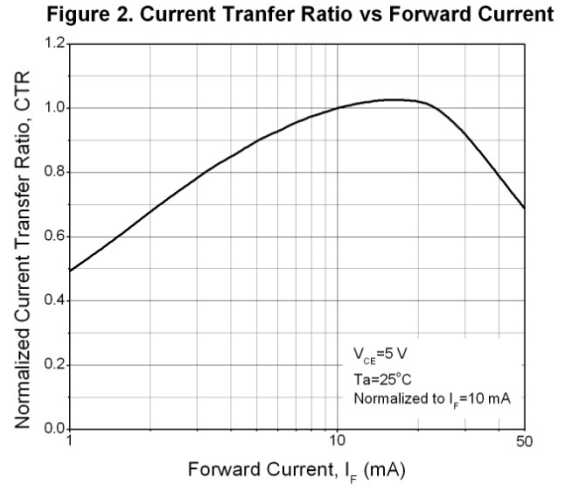
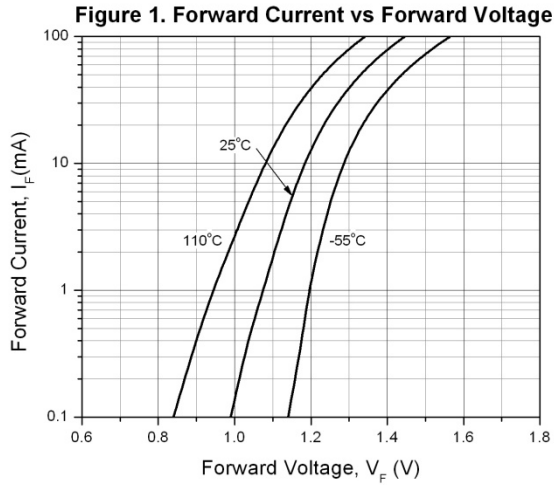
* Typical values at $T_a = 25^\circ\text{C}$

Transfer Characteristics

| Parameter | Symbol | Min | Typ. | Max. | Unit | Condition |
|--------------------------------------|---------------------|-----------|------|------|---------------|--|
| Current Transfer Ratio | CNY17-1 CNY17F-1 | 40 | - | 80 | % | $I_F = 10\text{mA}, V_{CE} = 5\text{V}$ |
| | CNY17-2 CNY17F-2 | 63 | - | 125 | | |
| | CNY17-3 CNY17F-3 | 100 | - | 200 | | |
| | CNY17-4 CNY17F-4 | 160 | - | 320 | | |
| Current Transfer Ratio | CNY17-1 CNY17F-1 | 13 | - | - | % | $I_F = 1\text{mA}, V_{CE} = 5\text{V}$ |
| | CNY17-2 CNY17F-2 | 22 | - | - | | |
| | CNY17-3 CNY17F-3 | 34 | - | - | | |
| | CNY17-4 CNY17F-4 | 56 | - | - | | |
| Collector-Emitter saturation voltage | $V_{CE(sat)}$ | - | - | 0.3 | V | $I_F = 10\text{mA}, I_C = 2.5\text{mA}$ |
| Isolation resistance | R_{IO} | 10^{11} | - | - | Ω | $V_{IO} = 500\text{Vdc}$ |
| Input-output capacitance | C_{IO} | - | 0.5 | - | pF | $V_{IO} = 0, f = 1\text{MHz}$ |
| Turn-on time | T_{on} | - | 10 | 12 | μs | $V_{CC} = 10\text{V}, I_C = 2\text{mA}, R_L = 100\Omega$ See Fig. 11 |
| Turn-off time | T_{off} | - | 9 | 12 | | |
| Rise time | T_r | - | 6 | 10 | | |
| Fall time | T_f | - | 8 | 10 | | |
| Rise time | T_r | - | 2 | 10 | | |
| Fall time | T_f | - | 3 | 10 | | |
| | | | | | | $V_{CC} = 5\text{V}, I_F = 10\text{mA}, R_L = 75\Omega, \text{ See Fig. 11}$ |

* Typical values at $T_a = 25^\circ\text{C}$

Typical Electro-Optical Characteristics Curves



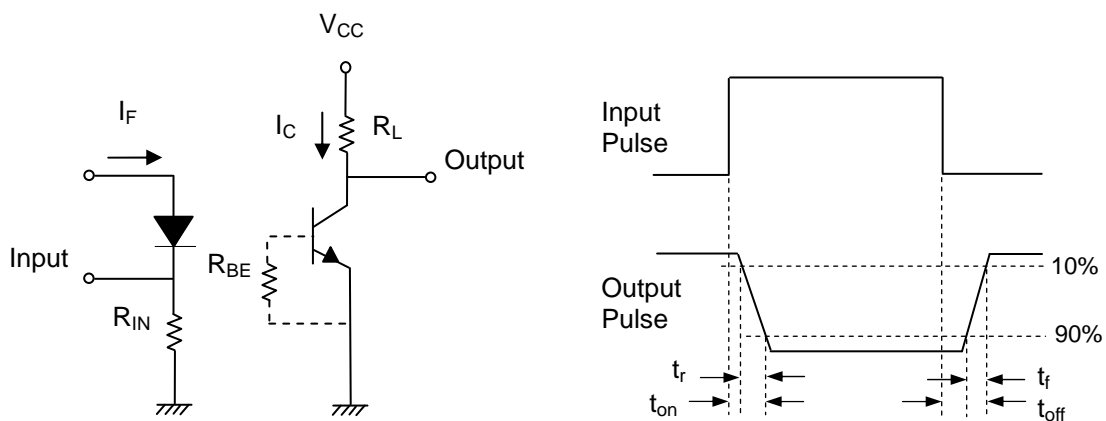
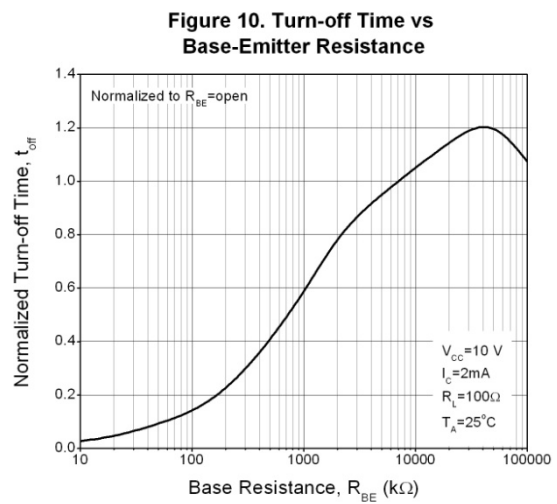
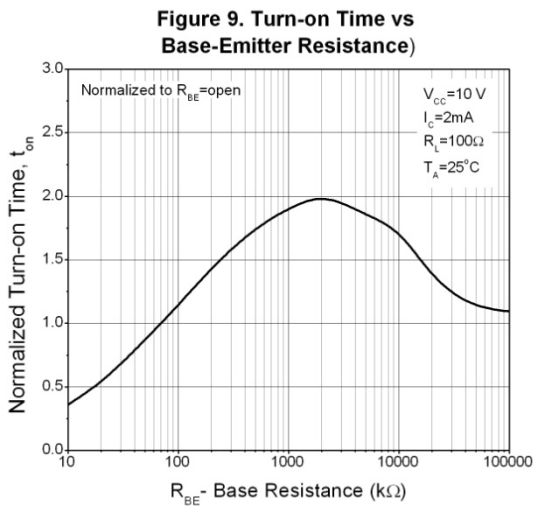
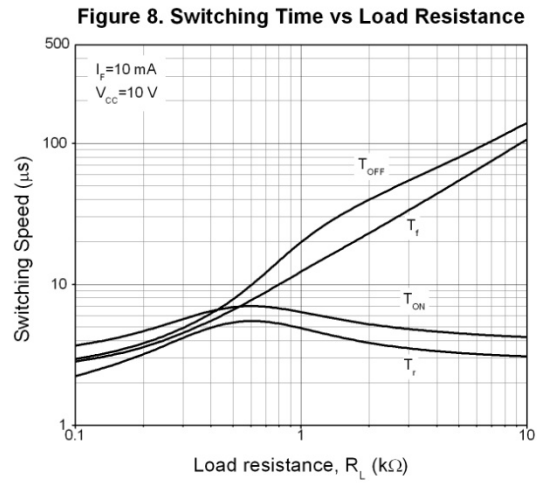
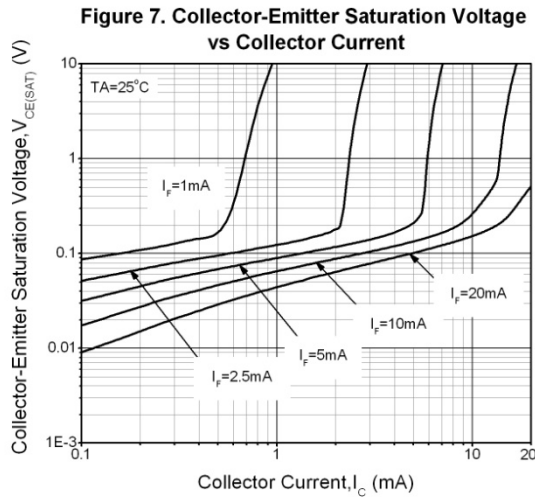


Figure 11. Switching Time Test Circuit & Waveforms

Order Information

Part Number

CNY17-XY(Z)-V

or

CNY17F-XY(Z)-V

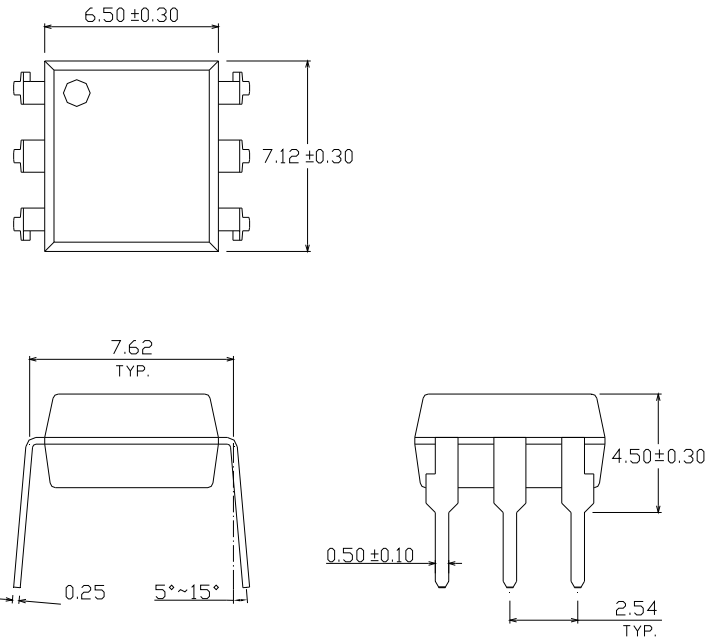
Note

- X = Part no. (1, 2, 3 or 4)
- Y = Lead form option (S, S1, M or none)
- Z = Tape and reel option (TA, TB or none).
- V = VDE (optional)

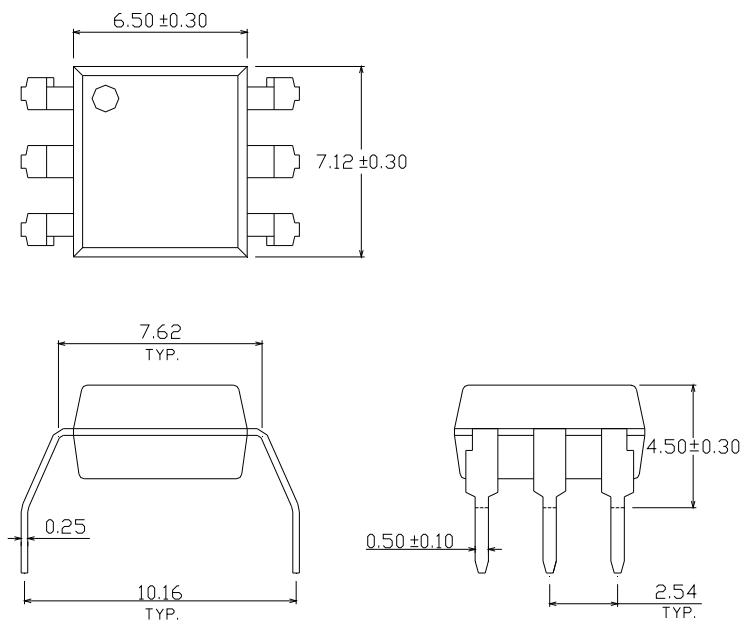
| Option | Description | Packing quantity |
|---------|---|---------------------|
| None | Standard DIP-6 | 65 units per tube |
| M | Wide lead bend (0.4 inch spacing) | 65 units per tube |
| S (TA) | Surface mount lead form + TA tape & reel option | 1000 units per reel |
| S (TB) | Surface mount lead form + TB tape & reel option | 1000 units per reel |
| S1 (TA) | Surface mount lead form (low profile) + TA tape & reel option | 1000 units per reel |
| S1 (TB) | Surface mount lead form (low profile) + TB tape & reel option | 1000 units per reel |

Package Dimension (Dimensions in mm)

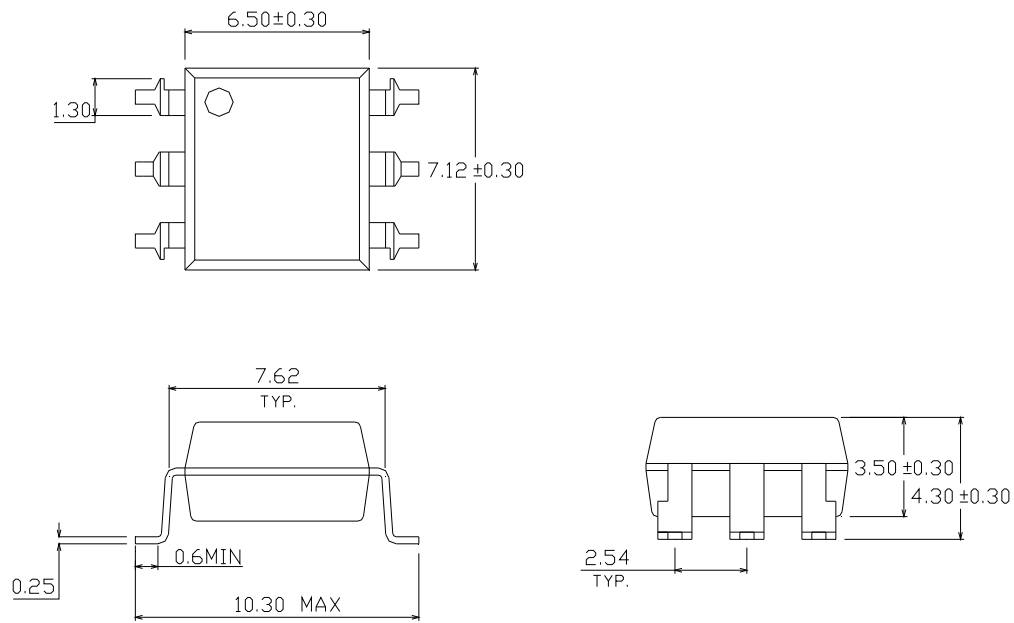
Standard DIP Type



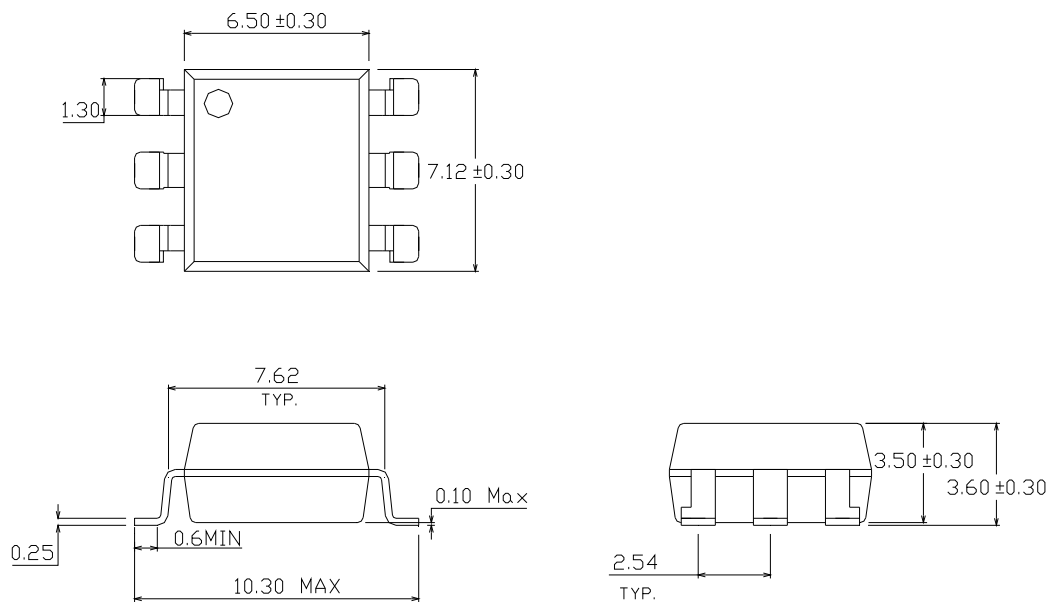
Option M Type



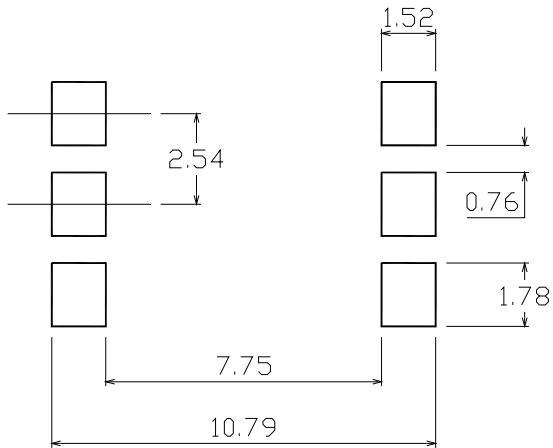
Option S Type



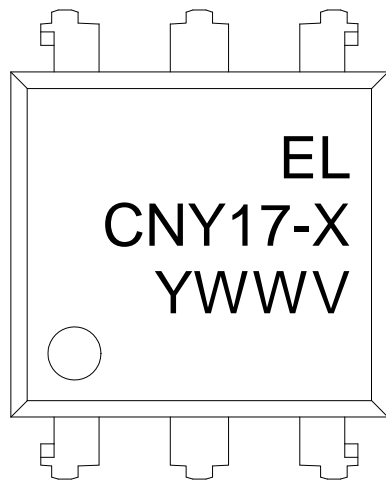
Option S1 Type



Recommended pad layout for surface mount leadform



Device Marking

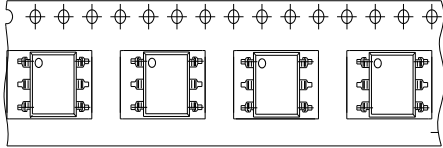


Notes

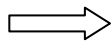
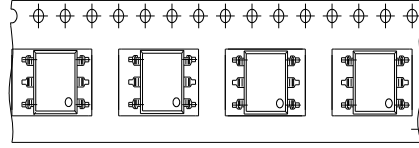
- EL denotes Everlight
- CNY17-X denotes Device Number (X: 1, 2, 3 or 4)
- Y denotes 1 digit Year code
- WW denotes 2 digit Week code
- V denotes VDE (optional)

Tape & Reel Packing Specifications

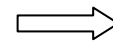
Option TA



Option TB

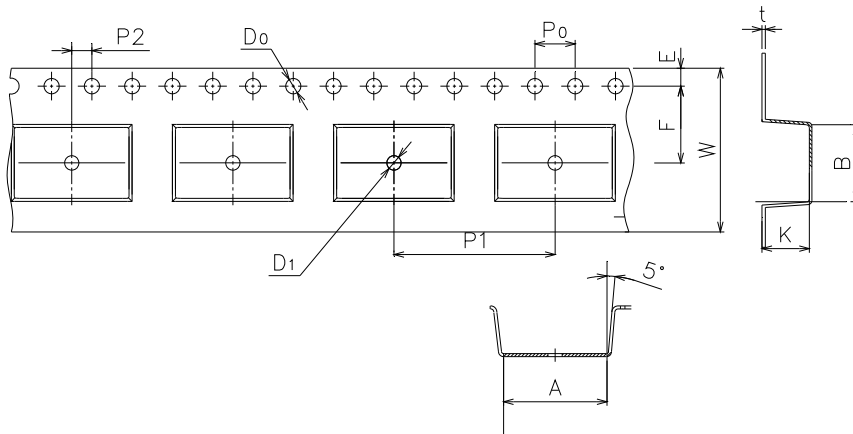


Direction of feed from reel



Direction of feed from reel

Tape dimensions

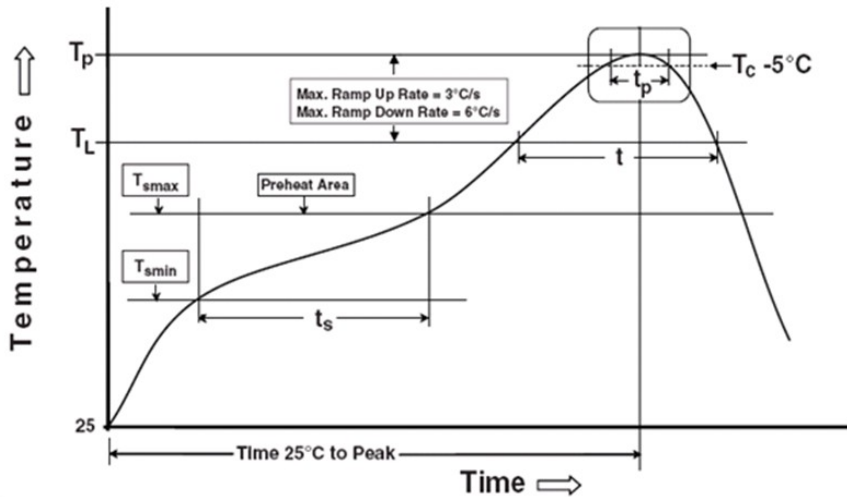


| | | | | | | |
|----------------|-----------|-----------|-----------|------------|----------|----------|
| Dimension No. | A | B | Do | D1 | E | F |
| Dimension (mm) | 10.4±0.1 | 7.52±0.1 | 1.5±0.1 | 1.5+0.1/-0 | 1.75±0.1 | 7.5±0.1 |
| Dimension No. | Po | P1 | P2 | t | W | K |
| Dimension (mm) | 4.0±0.15 | 16.0±0.1 | 2.0±0.1 | 0.35±0.03 | 16.0±0.2 | 4.5±0.1 |

Precautions for Use

1. Soldering Condition

1.1 (A) Maximum Body Case Temperature Profile for evaluation of Reflow Profile



Note:

Reference: IPC/JEDEC J-STD-020D

Preheat

| | |
|--|-----------------|
| Temperature min (T_{smin}) | 150 °C |
| Temperature max (T_{smax}) | 200°C |
| Time (T_{smin} to T_{smax}) (t_s) | 60-120 seconds |
| Average ramp-up rate (T_{smax} to T_p) | 3 °C/second max |

Other

| | |
|--|------------------|
| Liquidus Temperature (T_L) | 217 °C |
| Time above Liquidus Temperature (t_L) | 60-100 sec |
| Peak Temperature (T_p) | 260°C |
| Time within 5 °C of Actual Peak Temperature: $T_p - 5^\circ\text{C}$ | 30 s |
| Ramp- Down Rate from Peak Temperature | 6°C /second max. |
| Time 25°C to peak temperature | 8 minutes max. |
| Reflow times | 3 times |

DISCLAIMER

1. Above specification may be changed without notice. EVERLIGHT will reserve authority on material change for above specification.
2. When using this product, please observe the absolute maximum ratings and the instructions for using outlined in these specification sheets. EVERLIGHT assumes no responsibility for any damage resulting from use of the product which does not comply with the absolute maximum ratings and the instructions included in these specification sheets.
3. These specification sheets include materials protected under copyright of EVERLIGHT corporation. Please don't reproduce or cause anyone to reproduce them without EVERLIGHT's consent.