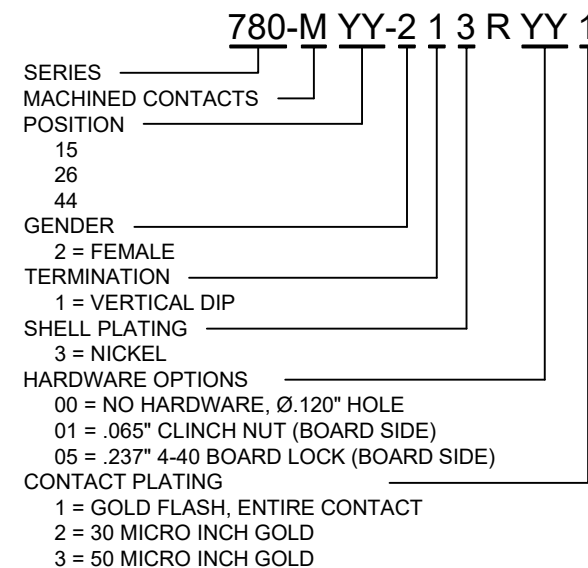


MATERIALS AND FINISH:

SHELL: STEEL MATERIAL, NICKEL FINISH
 INSULATOR: PA9T, UL 94V-0 RATED, BLACK (PROCESS TEMP 260°C)
 CONTACT MATERIAL: BRASS
 CONTACT FINISH: SEE PLATING PART NUMBER KEY BELOW
 SEAL MATERIAL: F04 FLEXIBLE ADHESIVE

ELECTRICAL:

CONTACT CURRENT RATING: 3 AMPS
 CONTACT RESISTANCE: 10 mOHMS Max.
 DIELECTRIC WITHSTANDING VOLTAGE: 1,000 VAC Min.
 INSULATION RESISTANCE: 5 GOHMS Min.
 TEMPERATURE RATING: -55° ~ +125° C



DIMENSIONS (in.)					
No. OF PINS	A	B	C	D	Insulator Material
15	0.642	0.984	1.213	0.090	PA9T
26	0.969	1.311	1.543	0.090	PA9T
44	1.512	1.852	2.089	0.090	PA9T

DIMENSIONS (mm)					
No. OF PINS	A	B	C	D	Insulator Material
15	16.30	25.00	30.80	2.29	PA9T
26	24.60	33.30	39.20	2.29	PA9T
44	38.40	47.05	53.05	2.29	PA9T

MEETS IP67 STANDARDS
 (SEE PAGE 3 FOR SEALING DETAILS)

UNITS = INCHES [MM] DO NOT SCALE FROM DRAWING

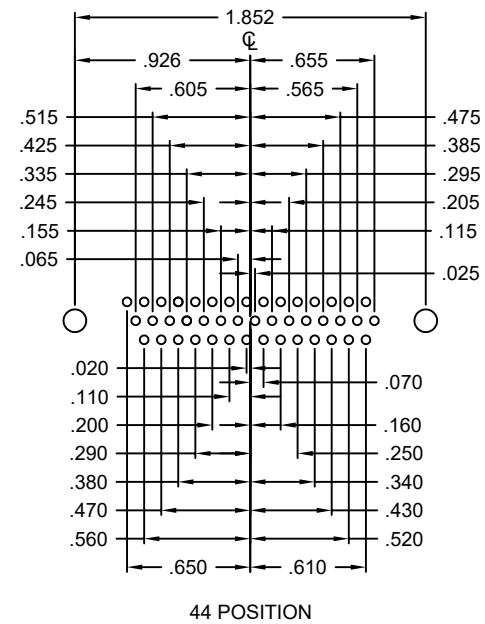
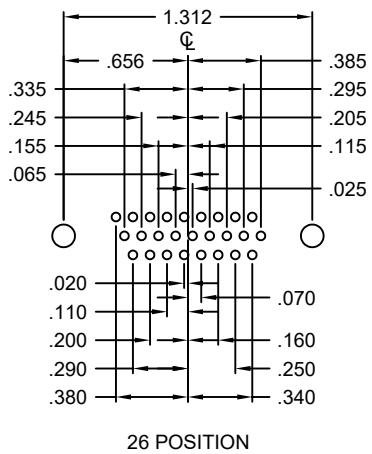
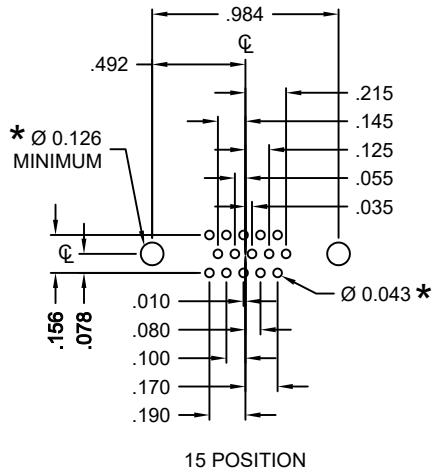


THESE DRAWINGS AND SPECIFICATIONS ARE THE PROPERTY OF NorComp AND SHALL NOT BE REPRODUCED, COPIED OR USED AS THE BASIS FOR THE MANUFACTURE OR SALE OF APPARATUS WITHOUT WRITTEN PERMISSION.

DRAWN: J. KADEL
 DATE: 08/08/2018



SCALE: NTS SHEET 1 OF 4 REV 11
 DWG NO. 780-MYY-213RYY1



HOLE PATTERN SHOWN
ARE FOR FEMALE

UNITS = inch

* TYP.
SUGGESTED SIZE
MAY NOT BE SUITABLE FOR ALL APPLICATIONS

RoHS COMPLIANT

DO NOT SCALE FROM DRAWING



THESE DRAWINGS AND SPECIFICATIONS ARE THE PROPERTY OF NorComp AND SHALL NOT BE REPRODUCED, COPIED OR USED AS THE BASIS FOR THE MANUFACTURE OR SALE OF APPARATUS WITHOUT WRITTEN PERMISSION.

DRAWN:

J. KADEL

DATE:

08/08/2018

NorComp

SCALE:

NTS

SHEET

OF

2

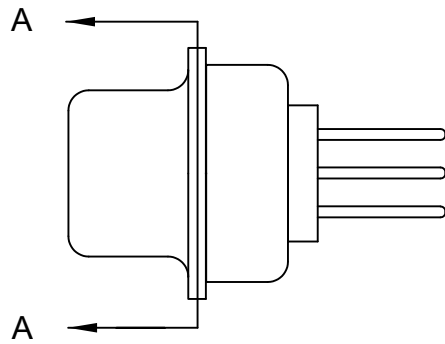
4

REV

11

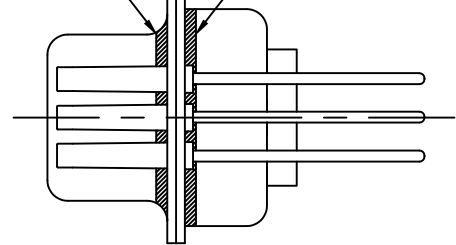
DWG NO.

780-MYY-213RYY1



FRONT SEAL APPLIED BETWEEN FRONT INSULATOR AND FRONT METAL SHELL


MIDDLE SEAL APPLIED BETWEEN FRONT INSULATOR AND BACK INSULATOR



DETAIL A-A

RoHS COMPLIANT

DO NOT SCALE FROM DRAWING

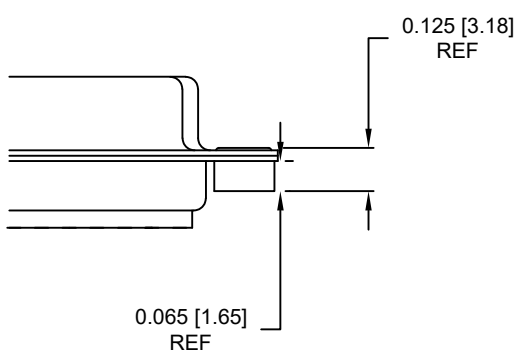
	THESE DRAWINGS AND SPECIFICATIONS ARE THE PROPERTY OF NorComp AND SHALL NOT BE REPRODUCED, COPIED OR USED AS THE BASIS FOR THE MANUFACTURE OR SALE OF APPARATUS WITHOUT WRITTEN PERMISSION.	DRAWN: J. KADEL
		DATE: 08/08/2018

NorComp

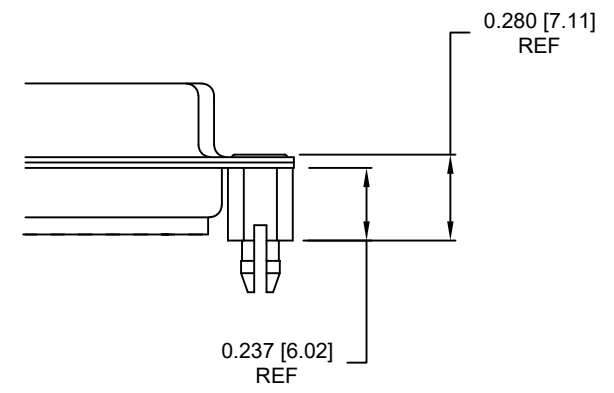
SCALE: NTS	SHEET 3 OF 4	REV 11
DWG NO. 780-MYY-213RYY1		

ALL CLINCH-NUTS ARE 4-40 INTERNAL THREADS

01X 0.065" (BOARD SIDE)



05X 0.237" (BOARD SIDE)



RoHS COMPLIANT

UNITS = INCHES [MM] DO NOT SCALE FROM DRAWING



THESE DRAWINGS AND SPECIFICATIONS ARE THE PROPERTY OF NorComp AND SHALL NOT BE REPRODUCED, COPIED OR USED AS THE BASIS FOR THE MANUFACTURE OR SALE OF APPARATUS WITHOUT WRITTEN PERMISSION.

DRAWN:
J. KADEL
DATE:
08/08/2018

NorComp

SCALE: NTS	SHEET 4	OF 4	REV 11
DWG NO.		780-MYY-213RYY1	