

## FR101-G Thru. FR107-G

Voltage: 50 to 1000 V

Current: 1.0 A

RoHS Device

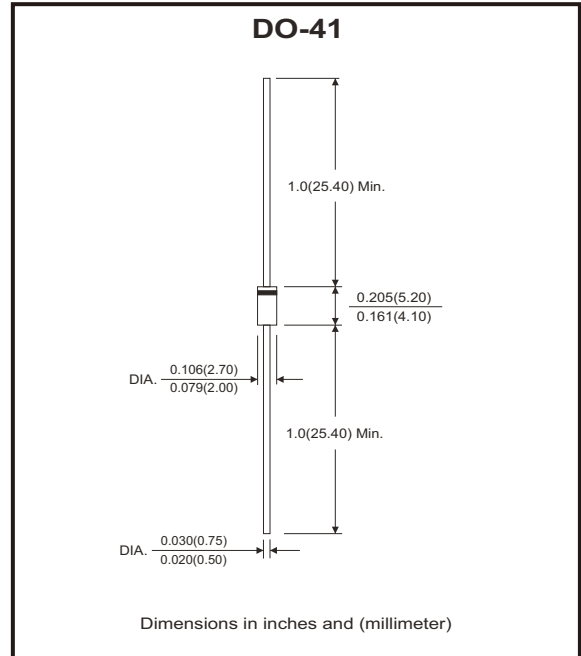


### Features

- Fast switching for high efficiency.
- Diffused junction.
- Low reverse leakage current.
- Low forward voltage drop
- High current capability.

### Mechanical data

- Case: JEDEC DO-41 molded plastic
- Epoxy: UL 94V-0 rate flame retardant
- Polarity: Color band denotes cathode
- Lead: Plated axial lead, solderable per MIL-STD-750, method 2026.
- Mounting position: Any



### Circuit Diagram



### Maximum Ratings (at TA=25°C unless otherwise noted)

Single phase, half wave, 60Hz, resistive or inductive load.  
For capacitive load derate current by 20%.

Parameter	Symbol	FR101 -G	FR102 -G	FR103 -G	FR104 -G	FR105 -G	FR106 -G	FR107 -G	Unit
Maximum repetitive peak reverse voltage	$V_{RRM}$	50	100	200	400	600	800	1000	V
Maximum RMS voltage	$V_{RMS}$	35	70	140	280	420	560	700	V
Maximum DC blocking voltage	$V_{DC}$	50	100	200	400	600	800	1000	V
Maximum average forward rectified current @TA=75°C	$I_{(AV)}$	1.0							A
Peak forward surge current, 8.3ms single half sine-wave superimposed on rated load (JEDEC method)	$I_{FSM}$	30							A
Maximum reverse recovery time (Note 1)	$t_{rr}$	150				250	500		nS
Operating temperature range	$T_J$	-55 ~ +150							°C
Storage temperature range	$T_{STG}$	-55 ~ +150							°C

Notes: 1. Measured with  $I_F=0.5A$ ,  $I_R=1A$ ,  $I_{RR}=0.25A$ .

## Electrical Characteristics (at TA=25°C unless otherwise noted)

Parameter	Conditions	Symbol	Min	Typ	Max	Unit
Forward voltage	$I_F = 1.0A$ DC	$V_F$			1.3	V
DC reverse current at rated DC blocking voltage	$T_J = 25^\circ C$	$I_R$			5.0	$\mu A$
	$T_J = 100^\circ C$				100	
Junction capacitance	$V_R = 4V, f = 1.0MHz$	FR101-G/FR102-G FR103-G/FR104-G		25		pF
		FR105-G/FR106-G FR107-G		15		pF
Thermal resistance	Junction to ambient	$R_{\theta JA}$		25		$^\circ C/W$

## RATING AND CHARACTERISTIC CURVES (FR101-G Thru. FR107-G)

Fig.1 - Forward Current Derating Curve

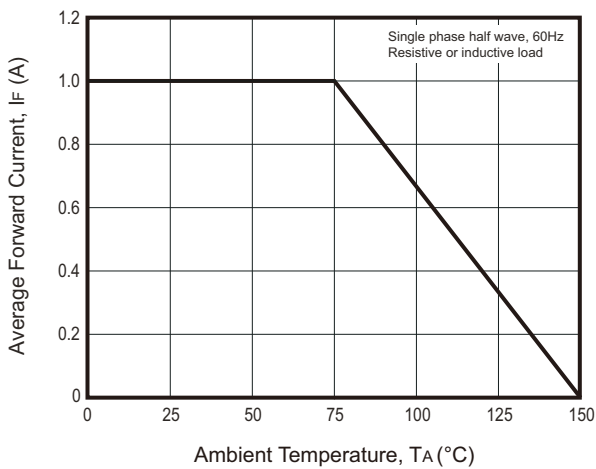


Fig.2 - Maximum Non-repetitive Surge Current

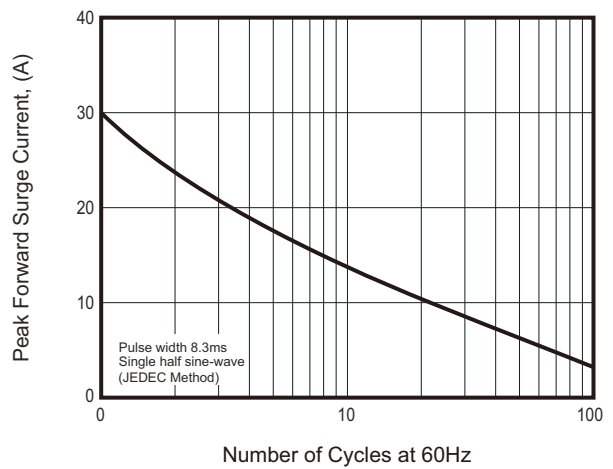


Fig.3 - Typical Junction Capacitance

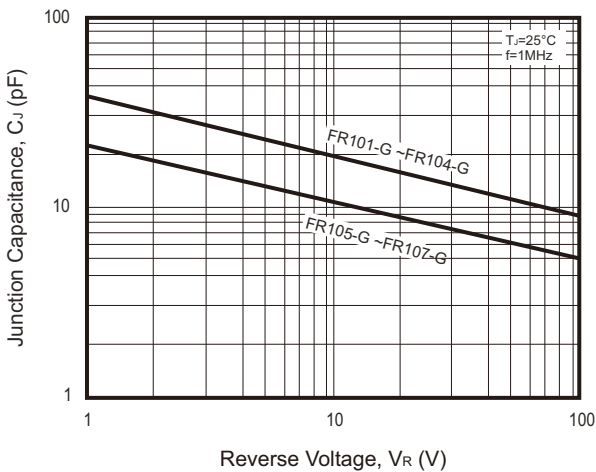
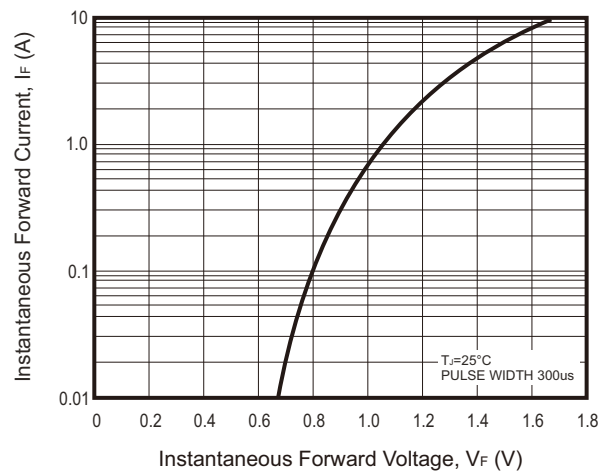
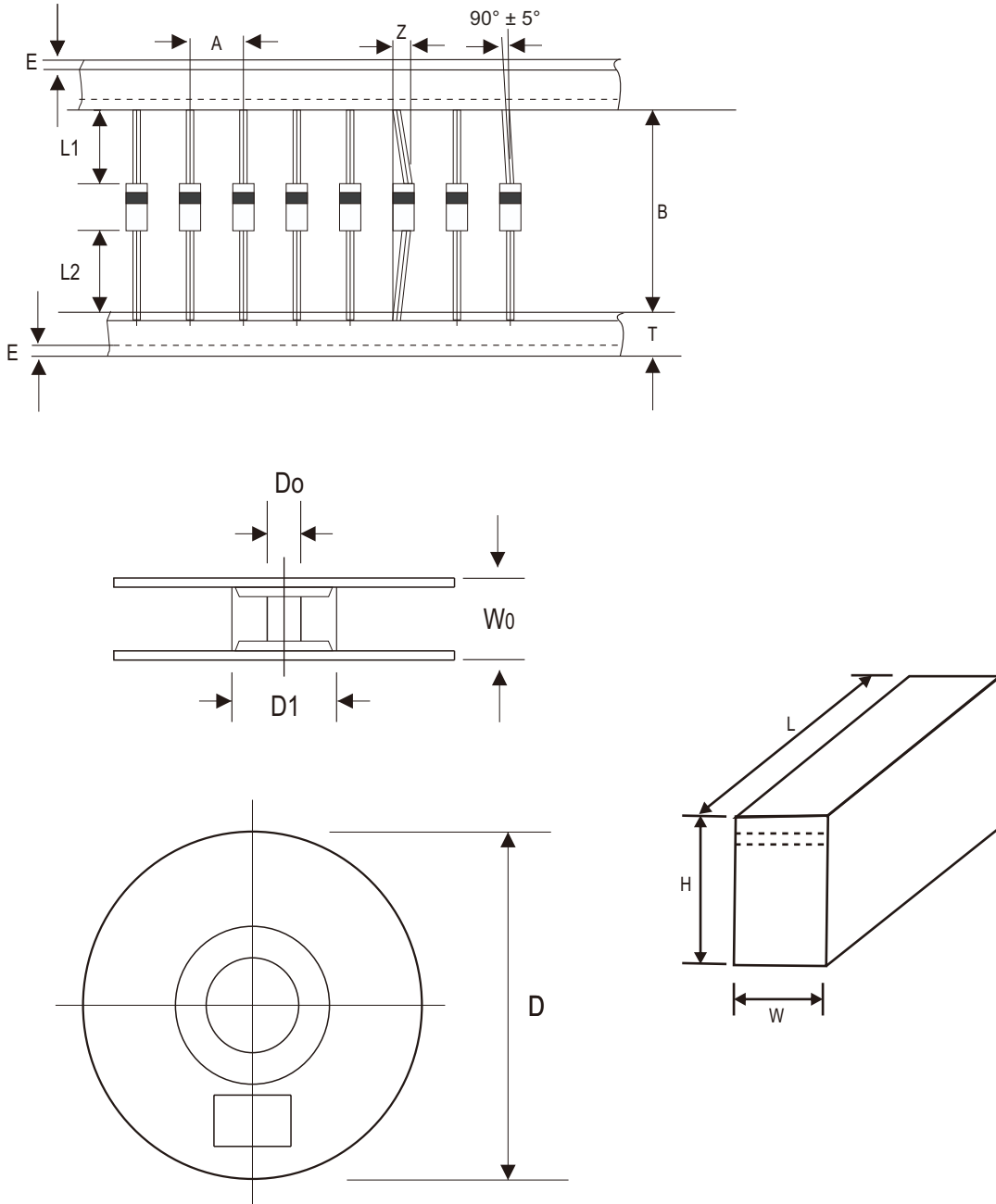


Fig.4 - Typical Forward Characteristics



## Taping Specification For Axial Lead Diodes



DO-41	SYMBOL	A	B	Z	T	E	[L1-L2]
	(mm)	$5.00 \pm 0.50$	$52.40 + 1.50$ $- 0.40$	1.20 (max)	$6.00 \pm 0.40$	0.80 (max)	1.00 (max)
	(inch)	$0.197 \pm 0.020$	$2.063 + 0.059$ $- 0.016$	0.047 (max)	$0.236 \pm 0.016$	0.031 (max)	0.039 (max)

DO-41	SYMBOL	D1	D0	D	W0	L	W	H
	(mm)	$85.70 \pm 0.30$	$16.60 \pm 0.40$	330.00	$79.00 \pm 1.00$	$255.00 \pm 5.00$	$75.00 \pm 5.00$	$150.00 \pm 5.00$
	(inch)	$3.374 \pm 0.012$	$0.654 \pm 0.016$	12.992	$3.110 \pm 0.039$	$10.039 \pm 0.197$	$2.953 \pm 0.197$	$5.906 \pm 0.197$

Company reserves the right to improve product design , functions and reliability without notice.

REV:C

## Marking Code

Part Number	Marking code	Packaging
FR101A-G	FR101	AMMO
FR102A-G	FR102	AMMO
FR103A-G	FR103	AMMO
FR104A-G	FR104	AMMO
FR105A-G	FR105	AMMO
FR106A-G	FR106	AMMO
FR107A-G	FR107	AMMO
FR101T-G	FR101	REEL
FR102T-G	FR102	REEL
FR103T-G	FR103	REEL
FR104T-G	FR104	REEL
FR105T-G	FR105	REEL
FR106T-G	FR106	REEL
FR107T-G	FR107	REEL
FR101B-G	FR101	BULK
FR102B-G	FR102	BULK
FR103B-G	FR103	BULK
FR104B-G	FR104	BULK
FR105B-G	FR105	BULK
FR106B-G	FR106	BULK
FR107B-G	FR107	BULK



**XXX = Product type marking code**

Note:

1) Suffix code after part number to specify packaging item .

Packaging	Code
AMMO PACK	A
REEL PACK	T
BULK PACK	B

## Standard Packaging

Case Type	AMMO PACK	
	BOX ( pcs )	
DO-41	5,000	

Case Type	REEL PACK	
	REEL ( pcs )	Reel Size (inch)
DO-41	5,000	13

Case Type	BULK PACK	
	BOX ( pcs )	
DO-41	1,000	