

Chassis Mount

DL Series

Step Down Multi-Tapped Power Isolating Transformers

Conservatively designed transformers in a wide variety of outputs

Originally designed for powering rectifying circuits, these Step Down Multi-Tapped transformers are suitable for use in myriad applications. The conservative designs are manufactured using tried and true construction techniques and have an established record of high reliability and efficiency.



General Specifications

- Power - 10 VA to 2800 VA
- Dielectric Strength - 1500 Vrms Hipot
- Primaries - Single, tapped or dual primaries, 105 V, 115 V, 125 V, 230 V - 50/60 Hz
- Secondaries - Dual center tapped windings may be connected in series or parallel
- Insulation System - Class B insulation, 130° C

Part Number Selection

Primary 50/60 Hz		Second RMS Rating		Mtg Style	Dimensions					Mtg Screw	Weight lbs (kg)
Single 115 V	Dual 115/230 V	Series	Parallel		L	W	H	ML	MW		
					Inches (mm)						
10-1	DL-10-1	10 VCT @ 1 A	5 VCT @ 2 A	C	2.87 (73.0)	1.75 (44.5)	2.31 (58.7)	2.37 (60.3)	-	#8	1.0 (.45)
10-2	DL-10-2	10 VCT @ 2 A	5 VCT @ 4 A	C	3.12 (79.4)	2.12 (53.9)	2.75 (69.9)	2.81 (71.4)	-	#8	1.5 (.68)
10-4	DL-10-4	10 VCT @ 4 A	5 VCT @ 8 A	C	3.56 (90.5)	2.37 (60.3)	3.06 (77.7)	3.12 (79.4)	-	#8	2.3 (1.04)
10-6	DL-10-6	10 VCT @ 6 A	5 VCT @ 12 A	B	3.37 (85.7)	2.75 (69.9)	2.81 (71.4)	2.81 (71.4)	2.12 (53.9)	#8	3.3 (1.50)
10-8	DL-10-8	10 VCT @ 8 A	5 VCT @ 16 A	B	3.37 (85.7)	3.12 (79.4)	2.81 (71.4)	2.81 (71.4)	2.50 (63.5)	#8	4.01 (1.81)
10-12	DL-10-12	10 VCT @ 12 A	5 VCT @ 24 A	B	3.75 (95.3)	3.25 (82.6)	3.12 (79.4)	3.12 (79.4)	2.50 (63.5)	#8	5.0 (2.27)
10-25	DL-10-25	10 VCT @ 25 A	5 VCT @ 50 A	B	4.50 (114.3)	3.75 (95.3)	3.75 (95.3)	3.75 (95.3)	2.75 (69.9)	#10	8.7 (3.95)
10-50*	DL-10-50	10 VCT @ 50 A	5 VCT @ 100 A	B	5.35 (133.4)	5.50 (139.7)	4.37 (111.1)	4.37 (111.1)	3.62 (92.1)	1/4	17.0 (7.71)
10-100*	DL-10-100	10 VCT @ 100 A	5 VCT @ 200 A	B	6.37 (162.0)	7.25 (184.2)	5.31 (134.9)	5.31 (134.9)	4.37 (111.1)	1/4	34.5 (15.65)
12.8-1	DL-12.8-1	12.8 VCT @ 1 A	6.4 VCT @ 2 A	C	2.87 (73.0)	2.00 (50.8)	2.31 (58.7)	2.31 (58.7)	-	#8	1.2 (.54)
12.8-2	DL-12.8-2	12.8 VCT @ 2 A	6.4 VCT @ 4 A	B	3.00 (76.2)	2.50 (63.5)	2.50 (63.5)	2.50 (63.5)	2.00 (50.8)	#8	2.3 (1.04)
12.8-4	DL-12.8-4	12.8 VCT @ 4 A	6.4 VCT @ 8 A	B	3.00 (76.2)	2.50 (63.5)	2.50 (63.5)	2.50 (63.5)	2.37 (60.3)	#8	2.8 (1.27)
12.8-6	DL-12.8-6	12.8 VCT @ 6 A	6.4 VCT @ 12 A	B	3.37 (85.7)	3.06 (77.7)	2.81 (71.4)	2.81 (71.4)	2.50 (63.5)	#8	4.0 (1.81)
12.8-8	DL-12.8-8	12.8 VCT @ 8 A	6.4 VCT @ 16 A	B	3.75 (95.3)	3.12 (79.4)	3.12 (79.4)	3.12 (79.4)	2.25 (57.2)	#8	4.5 (2.04)
12.8-12*	DL-12.8-12	12.8 VCT @ 12 A	6.4 VCT @ 24 A	B	4.12 (104.8)	3.25 (82.6)	3.43 (87.3)	3.43 (87.3)	2.37 (60.3)	#10	6.0 (2.72)
12.8-25*	DL-12.8-25	12.8 VCT @ 25 A	6.4 VCT @ 50 A	B	5.25 (133.4)	4.25 (108.0)	4.37 (111.1)	4.37 (111.1)	2.87 (73.0)	#10	12.5 (5.69)
12.8-50*	DL-12.8-50	12.8 VCT @ 50 A	6.4 VCT @ 100 A	B	5.25 (133.4)	6.00 (152.4)	4.37 (111.1)	4.37 (111.1)	4.12 (104.8)	1/4	20.7 (9.39)
12.8-100*	DL-12.8-100	12.8 VCT @ 100 A	6.4 VCT @ 200 A	B	6.37 (162.0)	7.25 (184.2)	5.31 (134.9)	5.31 (134.9)	4.37 (111.1)	1/4	34.5 (15.65)

* Nominal 115V primary has added taps, i.e., 105/115/125 V; Dual (DL) version is 115/230 V only.

- Available with dual primary only. Therefore, prefix DL is not required.



Custom versions available upon request.



128 Atlantic Avenue, Lynbrook, NY 11563
 Toll Free 866-239-5777 | Tel 516-239-5777 | Fax 516-239-7208
 sales@signaltransformer.com | techhelp@signaltransformer.com

belfuse.com/signal

Part Number Selection

Primary 50/60 Hz		Second RMS Rating		Mtg Style	Dimensions					Mtg Screw	Weight
Single 115 V	Dual 115/230 V	Series	Parallel		L	W	H	ML	MW		
Inches (mm)											
16-1	DL-16-1	16 VCT @ 1 A	8 VCT @ 2 A	C	2.87 (73.0)	2.00 (50.8)	2.31 (58.7)	2.37 (60.3)	-	#8	1.2 (.54)
16-2	DL-16-2	16 VCT @ 2 A	8 VCT @ 4 A	C	3.12 (79.4)	2.25 (57.2)	2.75 (69.9)	2.81 (71.4)	-	#8	1.7 (.77)
16-4	DL-16-4	16 VCT @ 4 A	8 VCT @ 8 A	B	3.37 (85.7)	2.75 (69.9)	2.81 (71.4)	2.81 (71.4)	2.12 (53.9)	#8	3.3 (1.50)
16-6	DL-16-6	16 VCT @ 6 A	8 VCT @ 12 A	B	3.75 (95.3)	3.12 (79.4)	3.12 (79.4)	3.12 (79.4)	2.25 (57.2)	#10	4.5 (2.04)
16-8	DL-16-8	16 VCT @ 8 A	8 VCT @ 16 A	B	3.75 (95.3)	3.50 (89.0)	3.12 (79.4)	3.12 (79.4)	2.62 (66.7)	#10	5.4 (2.45)
16-12	DL-16-12	16 VCT @ 12 A	8 VCT @ 24 A	B	4.12 (104.8)	3.87 (98.4)	3.43 (87.3)	3.43 (87.3)	3.00 (76.2)	#10	7.9 (3.58)
16-25	DL-16-25	16 VCT @ 25 A	8 VCT @ 50 A	B	4.50 (114.3)	5.37 (136.5)	3.75 (95.3)	3.75 (95.3)	4.00 (101.6)	#10	14.5 (6.58)
16-50*	DL-16-50	16 VCT @ 50 A	8 VCT @ 100 A	B	6.37 (162.0)	5.70 (146.1)	5.31 (134.9)	5.31 (134.9)	3.75 (95.3)	1/4	26.5 (12.02)
16-100*	DL-16-100	16 VCT @ 100 A	8 VCT @ 200 A	B	7.50 (190.5)	7.50 (190.5)	6.37 (162.0)	6.75 (171.5)	4.62 (117.5)	1/4	50.0 (22.68)
24-1	DL-24-1	24 VCT @ 1 A	12 VCT @ 2 A	B	3.00 (76.2)	2.50 (63.5)	2.50 (63.5)	2.50 (63.5)	2.00 (50.8)	#8	2.3 (1.04)
24-2	DL-24-2	24 VCT @ 2 A	12 VCT @ 4 A	B	3.00 (76.2)	2.87 (73.0)	2.50 (63.5)	2.50 (63.5)	2.37 (60.3)	#8	2.9 (1.32)
24-4	DL-24-4	24 VCT @ 4 A	12 VCT @ 8 A	B	3.75 (95.3)	3.12 (79.4)	3.12 (79.4)	3.12 (79.4)	2.25 (57.2)	#8	4.5 (2.04)
24-6	DL-24-6	24 VCT @ 6 A	12 VCT @ 12 A	B	4.12 (104.8)	3.25 (82.6)	3.43 (87.3)	3.43 (87.3)	2.37 (60.3)	#10	5.8 (2.63)
24-8	DL-24-8	24 VCT @ 8 A	12 VCT @ 16 A	B	4.12 (104.8)	3.87 (98.4)	3.43 (87.3)	3.43 (87.3)	3.00 (76.2)	#10	7.9 (3.58)
24-12*	DL-24-12	24 VCT @ 12 A	12 VCT @ 24 A	B	4.50 (114.3)	4.50 (114.3)	3.75 (95.3)	3.75 (95.3)	3.37 (85.7)	#10	11.0 (4.99)
24-20*	DL-24-20	24 VCT @ 20 A	12 VCT @ 40 A	B	5.25 (133.4)	4.75 (120.7)	4.37 (111.1)	4.37 (111.1)	3.37 (85.7)	1/4	15.3 (6.95)
24-25*	DL-24-25	24 VCT @ 25 A	12 VCT @ 50 A	B	5.25 (133.4)	5.62 (142.9)	4.37 (111.1)	4.37 (111.1)	4.12 (104.8)	1/4	19.5 (8.85)
24-50*	DL-24-50	24 VCT @ 50 A	12 VCT @ 100 A	B	6.37 (162.0)	6.25 (158.8)	5.31 (134.9)	5.31 (134.9)	4.37 (111.1)	1/4	31.3 (14.20)
—	24-100 •	24 VCT @ 100 A	12 VCT @ 200 A	B	7.50 (190.5)	7.00 (177.8)	6.37 (162.0)	6.75 (171.45)	4.12 (104.8)	1/4	43.0 (19.5)

* Nominal 115V primary has added taps, i.e., 105/115/125 V; Dual (DL) version is 115/230 V only.

• Available with dual primary only. Therefore, prefix DL is not required.



Custom versions available upon request.



128 Atlantic Avenue, Lynbrook, NY 11563
Toll Free 866-239-5777 | Tel 516-239-5777 | Fax 516-239-7208
sales@signaltransformer.com | techhelp@signaltransformer.com

belfuse.com/signal

Part Number Selection

Primary 50/60 Hz		Second RMS Rating		Mtg Style	Dimensions					Mtg Screw	Weight
Single 115 V	Dual 115/230 V	Series	Parallel		L	W	H	ML	MW		
					Inches (mm)						lbs (kg)
36-1	DL-36-1	36 VCT @ 1 A	18 VCT @ 2 A	B	3.00 (76.2)	2.75 (69.9)	2.50 (63.5)	2.50 (63.5)	2.25 (57.2)	#8	2.6 (1.18)
36-2	DL-36-2	36 VCT @ 2 A	18 VCT @ 4 A	B	3.37 (85.7)	2.93 (74.6)	2.81 (71.4)	2.81 (71.4)	2.37 (60.3)	#8	3.8 (1.72)
36-4	DL-36-4	36 VCT @ 4 A	18 VCT @ 8 A	B	4.12 (104.8)	3.37 (85.7)	3.43 (87.3)	3.43 (87.3)	2.62 (66.7)	#10	6.8 (3.08)
36-6	DL-36-6	36 VCT @ 6 A	18 VCT @ 12 A	B	4.50 (114.3)	3.75 (95.3)	3.75 (95.3)	3.75 (95.3)	2.75 (69.9)	#10	8.7 (3.95)
36-8*	DL-36-8	36 VCT @ 8 A	18 VCT @ 16 A	B	4.50 (114.3)	4.50 (114.3)	3.75 (95.3)	3.75 (95.3)	3.37 (85.7)	#10	11.0 (4.99)
36-12*	DL-36-12	36 VCT @ 12 A	18 VCT @ 24 A	B	5.25 (133.4)	5.00 (127.0)	4.37 (111.1)	4.37 (111.1)	3.37 (85.7)	1/4	15.0 (6.80)
36-20*	DL-36-20	36 VCT @ 20 A	18 VCT @ 40 A	B	6.37 (162.0)	5.37 (136.5)	5.31 (134.9)	5.31 (134.9)	3.37 (85.7)	1/4	22.8 (10.34)
36-25*	DL-36-25	36 VCT @ 25 A	18 VCT @ 50 A	B	6.37 (162.0)	5.75 (146.1)	5.31 (134.9)	5.31 (134.9)	3.75 (95.3)	1/4	26.5 (12.02)
36-30*	DL-36-30	36 VCT @ 30 A	18 VCT @ 60 A	B	6.37 (162.0)	6.00 (152.4)	5.31 (134.9)	5.31 (134.9)	4.37 (111.1)	1/4	31.5 (14.28)
—	36-50 •	36 VCT @ 50 A	18 VCT @ 100 A	B	6.37 (162.0)	7.25 (184.2)	5.31 (134.9)	5.31 (134.9)	5.12 (130.2)	1/4	40.0 (18.14)
56-1	DL-56-1	56 VCT @ 1 A	28 VCT @ 2 A	B	3.37 (85.7)	2.87 (73.0)	2.81 (71.4)	2.81 (71.4)	2.25 (57.2)	#8	3.5 (1.59)
56-2	DL-56-2	56 VCT @ 2 A	28 VCT @ 4 A	B	3.75 (95.3)	3.25 (82.6)	3.12 (79.4)	3.12 (79.4)	2.50 (63.5)	#8	5.0 (2.27)
56-4	DL-56-4	56 VCT @ 4 A	28 VCT @ 8 A	B	4.12 (104.8)	3.75 (95.3)	3.43 (87.3)	3.43 (87.3)	3.00 (76.2)	#10	7.7 (3.49)
56-6	DL-56-6	56 VCT @ 6 A	28 VCT @ 12 A	B	5.25 (133.4)	4.25 (108.0)	4.37 (111.1)	4.37 (111.1)	2.87 (73.0)	#10	12.0 (5.44)
56-8*	DL-56-8	56 VCT @ 8 A	28 VCT @ 16 A	B	5.25 (133.4)	5.00 (127.0)	4.37 (111.1)	4.37 (111.1)	3.62 (92.1)	1/4	17.0 (7.71)
56-12*	DL-56-12	56 VCT @ 12 A	28 VCT @ 24 A	B	6.37 (162.0)	5.25 (133.4)	5.31 (134.9)	5.31 (134.9)	3.37 (85.7)	1/4	22.0 (9.98)
56-25*	DL-56-25	56 VCT @ 25 A	28 VCT @ 50 A	B	6.37 (162.0)	7.12 (181.0)	5.31 (134.9)	5.31 (134.9)	5.12 (130.2)	1/4	38.0 (17.24)
—	56-50 •	56 VCT @ 50 A	28 VCT @ 100 A	B	7.50 (190.5)	7.50 (190.5)	6.24 (158.8)	6.75 (171.5)	4.87 (123.8)	1/4	56.3 (25.54)

* Nominal 115V primary has added taps, i.e., 105/115/125 V; Dual (DL) version is 115/230 V only.

• Available with dual primary only. Therefore, prefix DL is not required.



Custom versions available upon request.



128 Atlantic Avenue, Lynbrook, NY 11563
 Toll Free 866-239-5777 | Tel 516-239-5777 | Fax 516-239-7208
 sales@signaltransformer.com | techhelp@signaltransformer.com

belfuse.com/signal

Part Number Selection

Primary 50/60 Hz		Second RMS Rating		Mtg Style	Dimensions					Mtg Screw	Weight lbs (kg)
Single 115 V	Dual 115/230 V	Series	Parallel		L	W	H	ML	MW		
Inches (mm)											
68-1	DL-68-1	68 VCT @ 1 A	34 VCT @ 2 A	B	3.37 (85.7)	2.93 (74.6)	2.81 (71.4)	2.81 (71.4)	2.37 (60.3)	#8	3.8 (1.72)
68-2	DL-68-2	68VCT @ 2 A	34 VCT @ 4 A	B	4.12 (104.8)	3.37 (85.7)	3.43 (87.3)	3.43 (87.3)	2.62 (66.7)	#10	6.8 (3.08)
68-4	DL-68-4	68 VCT @ 4 A	34 VCT @ 8 A	B	4.50 (114.3)	4.50 (114.3)	3.75 (95.3)	3.75 (95.3)	3.37 (85.7)	#10	11.5 (5.22)
68-6*	DL-68-6	68 VCT @ 6 A	34 VCT @ 12 A	B	5.25 (133.4)	5.00 (127.0)	4.37 (111.1)	4.37 (111.1)	3.37 (85.7)	1/4	15.0 (6.80)
68-8*	DL-68-8	68 VCT @ 8 A	34 VCT @ 16 A	B	5.25 (133.4)	5.50 (139.7)	4.37 (111.1)	4.37 (111.1)	3.87 (98.4)	1/4	19.0 (8.62)
68-12*	DL-68-12	68 VCT @ 12 A	34 VCT @ 24 A	B	6.37 (162.0)	5.75 (146.1)	5.31 (134.9)	5.31 (134.9)	3.75 (95.3)	1/4	26.5 (12.02)
—	68-25 •	68 VCT @ 25 A	34 VCT @ 50 A	B	6.37 (162.0)	7.25 (184.2)	5.31 (134.9)	5.31 (134.9)	5.12 (130.2)	1/4	39.7 (18.01)
80-1	DL-80-1	80 VCT @ 1 A	40 VCT @ 2 A	B	3.37 (85.7)	3.06 (77.7)	2.81 (71.4)	2.81 (71.4)	2.50 (63.5)	#8	4.0 (1.81)
80-2	DL-80-2	80 VCT @ 2 A	40 VCT @ 4 A	B	4.12 (104.8)	3.37 (85.7)	3.43 (87.3)	3.43 (87.3)	2.62 (66.7)	#10	6.8 (3.08)
80-4	DL-80-4	80 VCT @ 4 A	40 VCT @ 8 A	B	5.25 (133.4)	4.25 (108.0)	4.37 (111.1)	4.37 (111.1)	2.87 (73.0)	1/4	12.3 (5.58)
80-6*	DL-80-6	80 VCT @ 6 A	40 VCT @ 12 A	B	5.25 (133.4)	5.50 (139.7)	4.37 (111.1)	4.37 (111.1)	3.87 (98.4)	1/4	19.0 (8.62)
80-8*	DL-80-8	80 VCT @ 8 A	40 VCT @ 16 A	B	6.37 (162.0)	5.25 (133.4)	5.31 (134.9)	5.31 (134.9)	3.25 (82.6)	1/4	20.5 (9.30)
80-12*	DL-80-12	80 VCT @ 12 A	40 VCT @ 24 A	B	6.37 (162.0)	6.00 (152.4)	5.31 (134.9)	5.31 (134.9)	4.12 (104.8)	1/4	29.0 (13.15)
—	80-25 •	80 VCT @ 25 A	40 VCT @ 50 A	B	7.50 (190.5)	6.50 (165.1)	6.25 (158.8)	6.75 (171.5)	3.87 (98.4)	1/4	40.3 (18.28)

* Nominal 115V primary has added taps, i.e., 105/115/125 V; Dual (DL) version is 115/230 V only.

• Available with dual primary only. Therefore, prefix DL is not required.



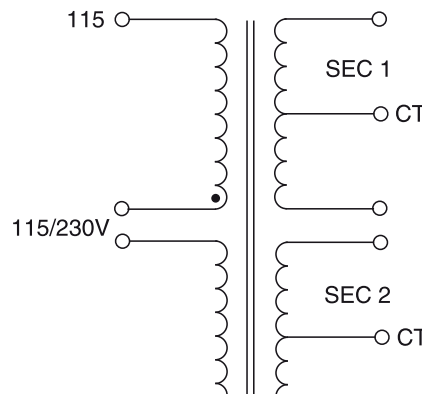
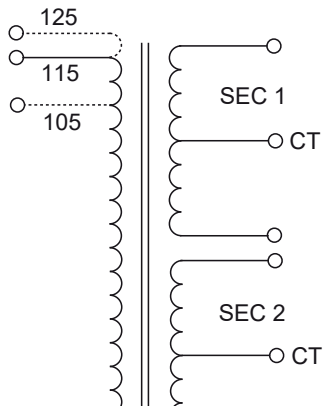
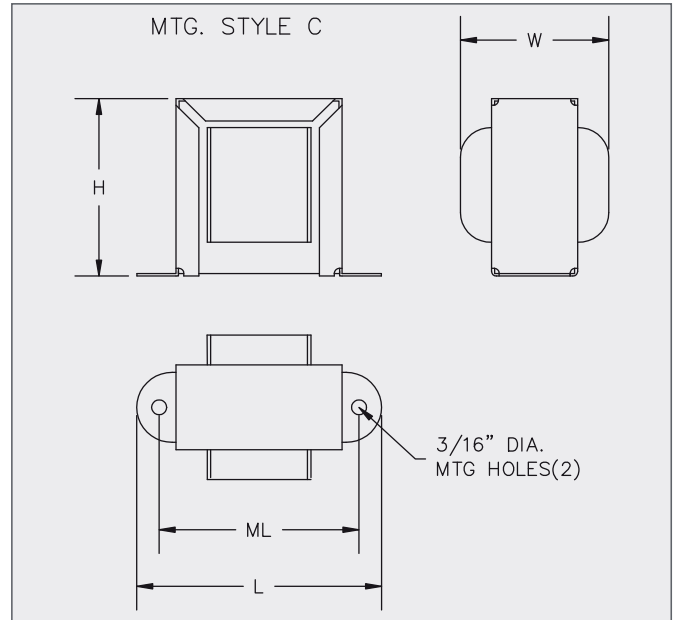
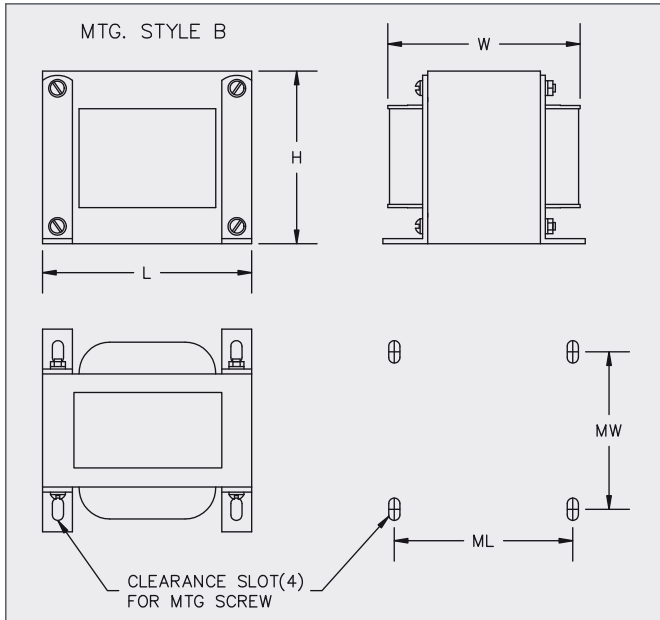
Custom versions available upon request.



128 Atlantic Avenue, Lynbrook, NY 11563
 Toll Free 866-239-5777 | Tel 516-239-5777 | Fax 516-239-7208
 sales@signaltransformer.com | techhelp@signaltransformer.com

belfuse.com/signal

Mechanical Specifications



Custom versions available upon request.



128 Atlantic Avenue, Lynbrook, NY 11563
Toll Free 866-239-5777 | Tel 516-239-5777 | Fax 516-239-7208
sales@signaltransformer.com | techhelp@signaltransformer.com

belfuse.com/signal