

JAND38999/32 PLUG CAPS

MIL-DTL-38999 Series III

Connector Group L

JAND38999/32	W	15	R
Designates Plug Dust Cover	MATERIALS & FINISH	ACCESSORY SHELL SIZE	STYLE
	W: Aluminum Alloy/Cadmium	9	N: W/ SS Rope & Ring R: W/ SS Rope
	Z: Aluminum Alloy/ Black Zinc Nickel	11	
	F: Aluminum Alloy/ Electroless Nickel	13	
	K: Stainless Steel/Passivated	15	
	N: Stainless Steel/ Electrodeposited Nickel	17	
		19	
	21		
	23		
	25		

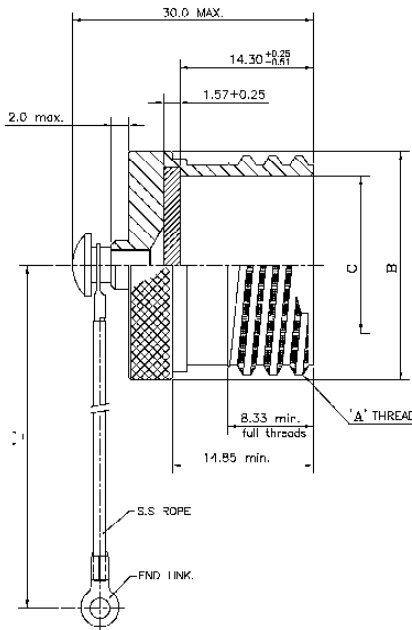


TABLE A

Accessory Shell Size	A Ø		B Ø Max.		C Ø Min.		D Ø Max.		E Ø Min.		F		L	
	mm	inch	mm	inch	mm	inch	mm	inch	mm	inch	mm	inch	mm	inch
	+13.00/-7.00													
9	15.74	0.62	17.20	0.67	12.50	0.49	24.00	0.94	13.00	0.51	24.00	14.50	127.00	5
11	19.05	0.75	20.50	0.80	15.75	0.62	27.00	1.06	18.00	0.70	20.50	18.00	127.00	5
13	22.09	0.87	24.30	0.95	19.53	0.76	30.00	1.18	20.00	0.78	27.00	20.00	127.00	5
15	25.4	1.00	27.40	1.07	22.71	0.89	31.00	1.22	23.00	0.90	22.50	18.00	127.00	5
17	29.97	1.18	30.60	1.20	25.88	1.018	37.00	1.45	26.00	1.02	30.50	23.50	127.00	5
19	31.75	1.25	33.25	1.30	28.55	1.12	40.00	1.57	29.00	1.14	31.50	23.50	127.00	5
21	34.79	1.37	36.40	1.43	31.72	1.248	44.00	1.73	32.00	1.25	33.00	26.50	127.00	5
23	38.1	1.50	39.70	1.56	34.90	1.37	46.00	1.81	34.00	1.33	34.00	26.50	127.00	5
25	41.14	1.62	42.80	1.68	38.07	1.49	49.00	1.92	39.00	1.53	38.00	30.00	127.00	5

JAND38999/33 RECEPTACLE CAPS

MIL-DTL-38999 Series III

Connector Group L

JAND38999/33	W	15	R
Designates Receptacle Dust Cover	FINISH	ACCESSORY SHELL SIZE	STYLE
	W: Cadmium	9	N: W/ SS Rope & Ring R: W/ SS Rope
	Z: Black Zinc Nickel	11	
	F: Electroless Nickel	13	
	K: Passivated	15	
	N: Electrodeposited Nickel	17	
		19	
	21		
	23		
	25		

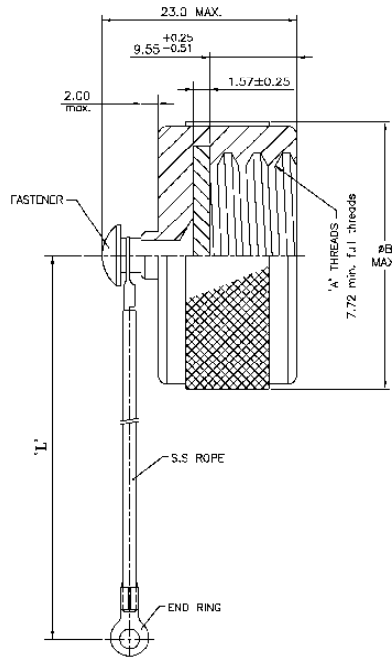


TABLE A

Accessory Shell Size	A Ø		B Ø Max.		C Ø Min.		D Ø Max.		L	
									+13.00/-7.00	
	mm	inch	mm	inch	mm	inch	mm	inch	mm	inch
9	15.74	0.62	23.0	0.90	27.0	1.06	17.64	0.69	127.00	5
11	19.05	0.75	28.0	1.10	32.0	1.25	21.97	0.86	127.00	5
13	22.09	0.87	31.0	1.22	37.0	1.45	25.12	0.98	127.00	5
15	25.4	1.00	32.0	1.25	40.0	1.57	29.92	1.17	127.00	5
17	29.97	1.18	37.0	1.45	44.0	1.73	32.0	1.25	127.00	5
19	31.75	1.25	39.0	1.53	46.0	1.81	36.27	1.42	127.00	5
21	34.79	1.37	42.0	1.65	49.0	1.92	38.25	1.50	127.00	5
23	38.1	1.50	45.0	1.77	54.0	2.12	42.62	1.67	127.00	5
25	41.14	1.62	49.0	1.92	56.0	2.20	44.45	1.75	127.00	5