

ADDITIONAL DIMENSION FOR 6CKTS HOUSING

NOTES:

1. MATERIALS: POLYESTER, UL 94V-0, BLACK
2. PRODUCT SPECIFICATION: PS-151014-0001
3. USE FEMALE CRIMP TERMINAL: 503948\*\*\*
4. APPLICABLE WIRE RANGE: AWG#24-#30
5. PACKAGING: BULK , PK-151014-0001
6. MATES WITH: 151013 SERIES
7. WHEN THIS PRODUCT IS USED AS A BLIND MATING APPLICATION THE SYSTEM LEVEL DESIGN MUST INCORPORATE GUIDANCE SO THE CONNECTORS ARE WITHIN THE CAPTURE ENVELOPE OF THE FLANGES ON THE HEADER OR PLUG HOUSING AND CAN THUS ALIGN THEMSELVES AS THEY COME TOGETHER
8. THIS PART CONFORMS TO CLASS B REQUIREMENTS OF COSMETIC SPEC PS-45499-002
9. USE TOOL NUMBER 638131400 TO REMOVE TERMINAL FROM HOUSING WHEN NECESSARY CAUTION: TERMINALS MUST NOT BE REUSED AFTER REMOVAL.
10. MOLEX LOGO AND CAVITY ID TO BE LOCATED APPROXIMATELY AT SHOWN
11. NON FUNCTIONAL CORING IS SUBJECTED TO CHANGES WITHOUT NOTICE

20	8.00	8.00	20.40	16.40	22.20	23.30	2.60	11.70	2.60	11.10	20.90	1510140020	YES
18	7.00	7.00	18.40	14.40	20.20	21.30	2.60	10.70	2.60	10.10	18.90	1510140018	
16	6.00	6.00	16.40	12.40	18.20	19.30	2.60	9.70	2.60	9.10	16.90	1510140016	
14	5.00	5.00	14.60	10.40	16.20	17.30	2.60	8.70	2.60	8.10	14.90	1510140014	
12	4.00	4.00	12.40	8.40	14.20	15.30	2.60	7.70	2.60	7.10	12.90	1510140012	
10	3.00	3.00	10.40	6.40	12.20	13.30	2.60	6.70	2.60	6.10	10.90	1510140010	
8	2.00	2.00	8.20	4.40	10.20	11.20	2.40	5.60	2.50	5.00	8.80	1510140008	TOOLED
6	2.00	2.00	8.20	2.40	10.20	10.30	2.40	4.80	2.50	5.00	7.00	1510140006	
CKT. NO.	A	B	C	D	E	F	G	H	J	K	L	MATERIAL NO.	

THIS DRAWING CONTAINS INFORMATION THAT IS PROPRIETARY TO MOLEX ELECTRONIC TECHNOLOGIES, LLC AND SHOULD NOT BE USED WITHOUT WRITTEN PERMISSION

SCALE: mm NTS

GENERAL TOLERANCES (UNLESS SPECIFIED):

ANGULAR TOL ± 3.0°

4 PLACES ±

3 PLACES ±

2 PLACES ± 0.2

1 PLACE ±

0 PLACES ±

DRAFT WHERE APPLICABLE MUST REMAIN WITHIN DIMENSIONS

THIRD ANGLE PROJECTION

DRAWING: A3-SIZE

SERIES: 151014

MATERIAL NUMBER: SEE TABLE

CUSTOMER: GENERAL MARKET

SHEET NUMBER: 1 OF 4

EC NO: 664701

DRWN: KSUTAR 2021/05/20

CHK'D: ABABUPS 2021/05/21

APPR: MRAMAKRISHNA 2021/05/24

INITIAL REVISION:

DRWN: GMENARLY 2015/06/15

APPR: KHLIM 2015/06/29

CURRENT REV DESC: CUSTOMER MODEL UPDATE

**molex**

2MM PITCH CRIMP RECEPTACLE HOUSING WITH PANEL MOUNT FEATURE

PRODUCT CUSTOMER DRAWING

DOCUMENT NUMBER: SD-151014-0001

DOC TYPE: PSD

DOC PART: 001

REVISION: A3

10

9

8

7

6

5

4

3

2

1

F

F

E

E

D

D

C

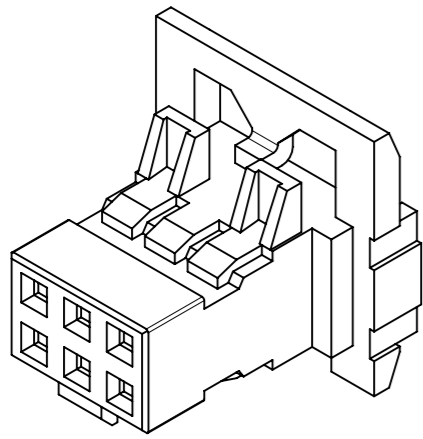
C

B

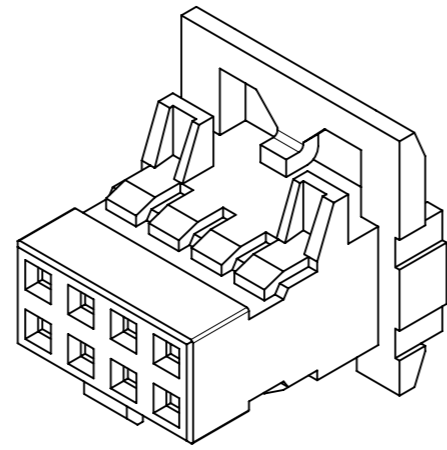
B

A

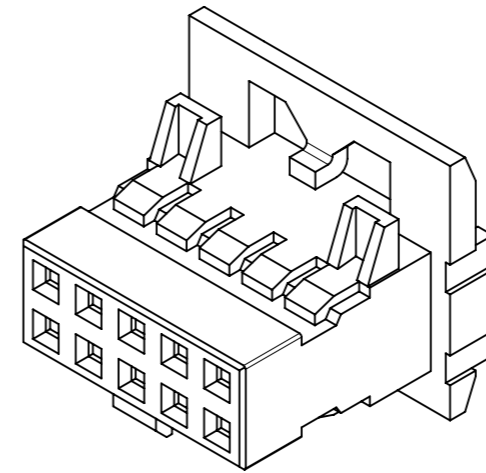
A



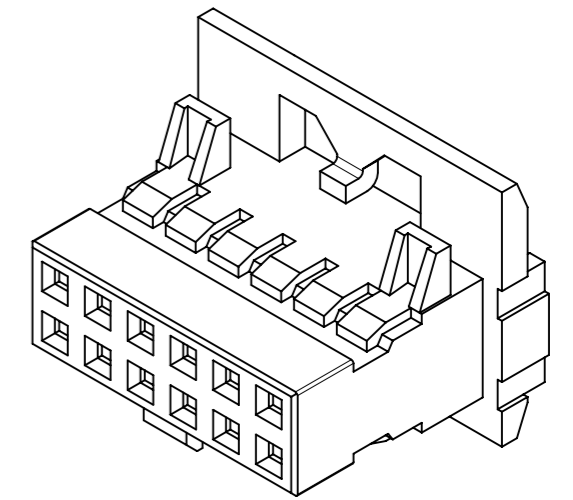
1510140006  
6CKTS



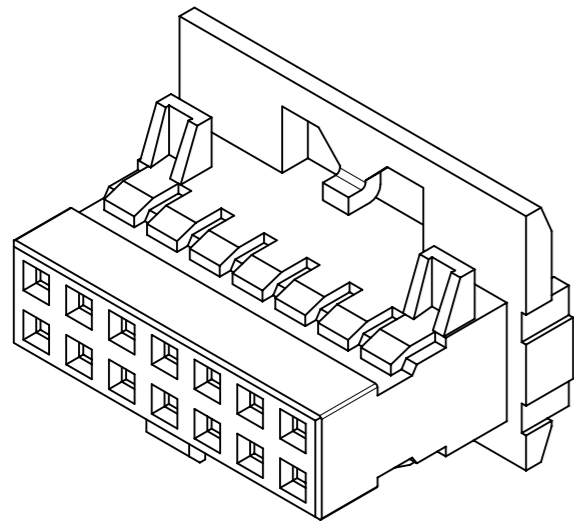
1510140008  
8CKTS



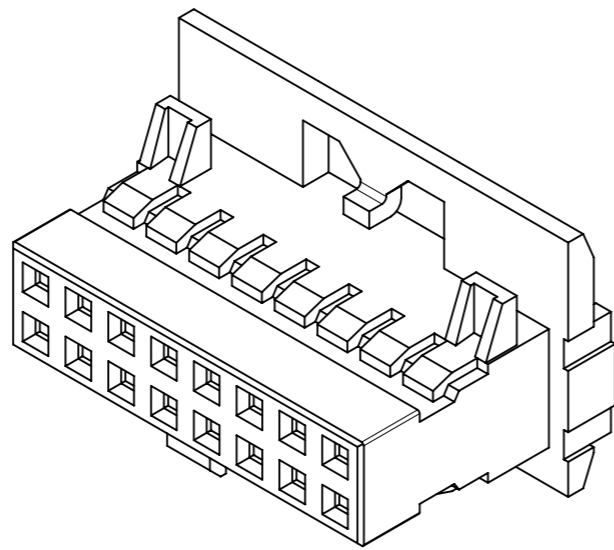
1510140010  
10CKTS



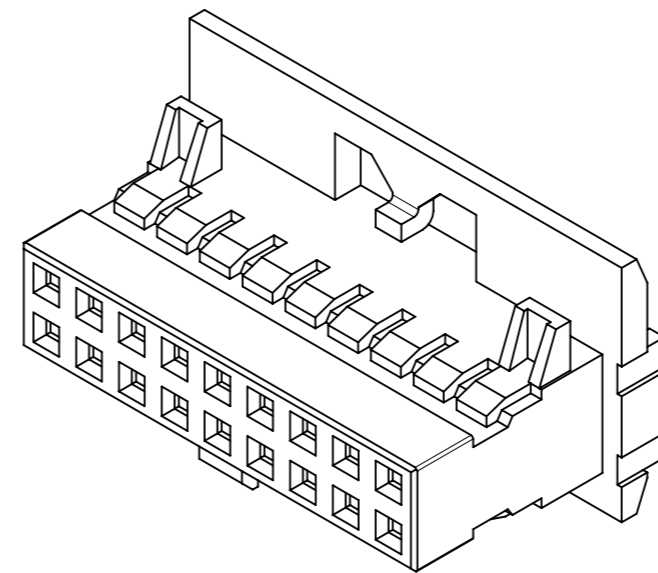
1510140012  
12CKTS



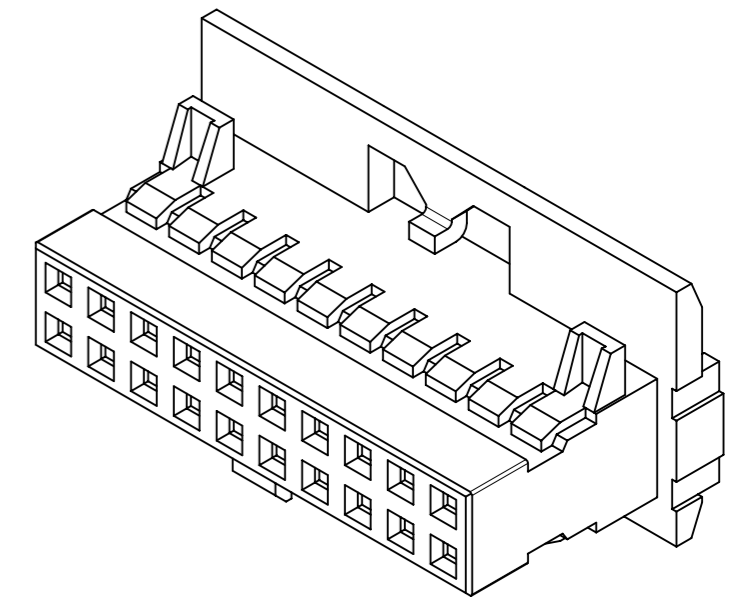
1510140014  
14CKTS




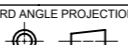
1510140018  
16CKTS



1510140018  
18CKTS



1510140020  
20CKTS

THIS DRAWING CONTAINS INFORMATION THAT IS PROPRIETARY TO MOLEX ELECTRONIC TECHNOLOGIES, LLC AND SHOULD NOT BE USED WITHOUT WRITTEN PERMISSION									
DIMENSION UNITS		SCALE		CURRENT REV DESC: CUSTOMER MODEL UPDATE					
mm		NTS		 2MM PITCH CRIMP RECEPTACLE HOUSING WITH PANEL MOUNT FEATURE PRODUCT CUSTOMER DRAWING					
GENERAL TOLERANCES (UNLESS SPECIFIED)									
ANGULAR TOL ± 3.0 °									
4 PLACES ±		EC NO: 664701							
3 PLACES ±		DRWN: KSUTAR 2021/05/20							
2 PLACES ± 0.2		CHK'D: ABABUPS 2021/05/21							
1 PLACE ±		APPR: MRAMAKRISHNA 2021/05/24							
0 PLACES ±		INITIAL REVISION:							
DRAFT WHERE APPLICABLE MUST REMAIN WITHIN DIMENSIONS		THIRD ANGLE PROJECTION		DRAWING		SERIES		MATERIAL NUMBER	
				A3-SIZE		151014		SEE TABLE	
DOCUMENT STATUS		RELEASE DATE		CUSTOMER		SHEET NUMBER		DOC TYPE	
P1		2021/05/24 05:23:24		GENERAL MARKET		2 OF 4		PSD 001 A3	

9

8

7

6

5

4

3

2

1

10

9

8

7

6

5

4

3

2

1

F

F

E

E

D

D

C

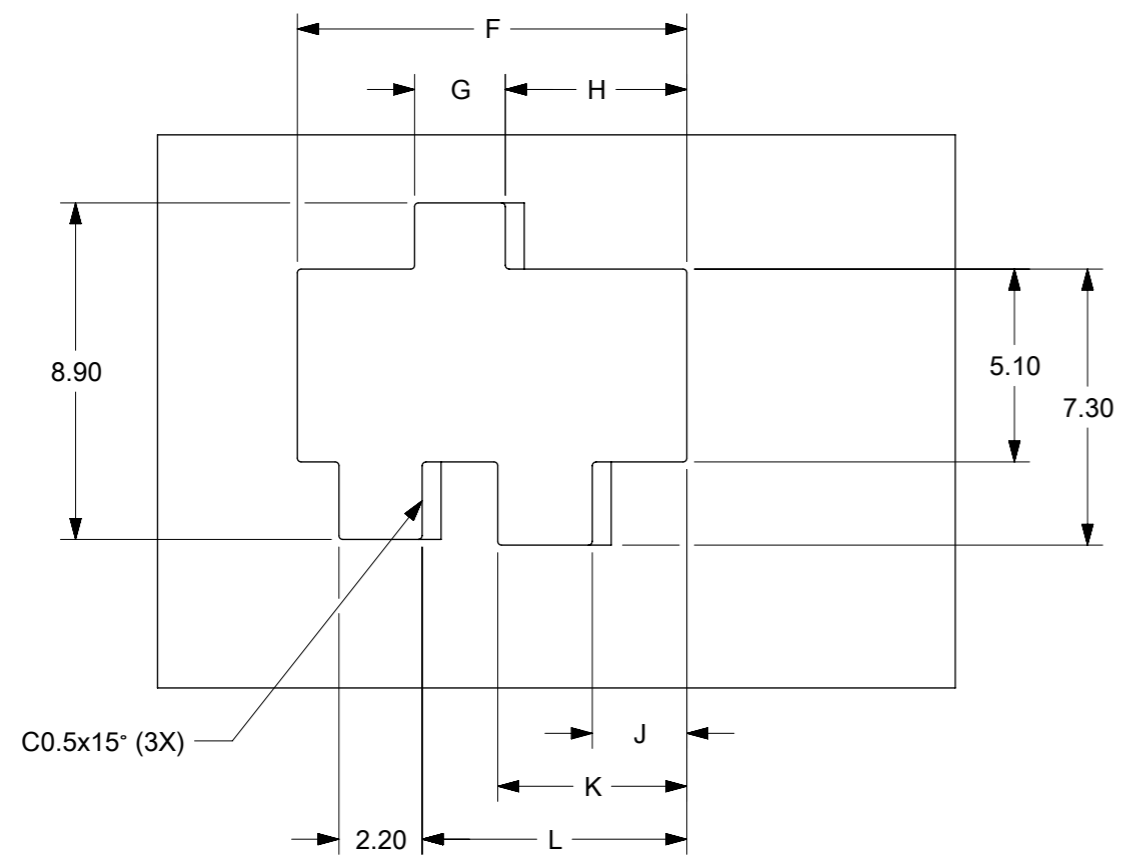
C

B

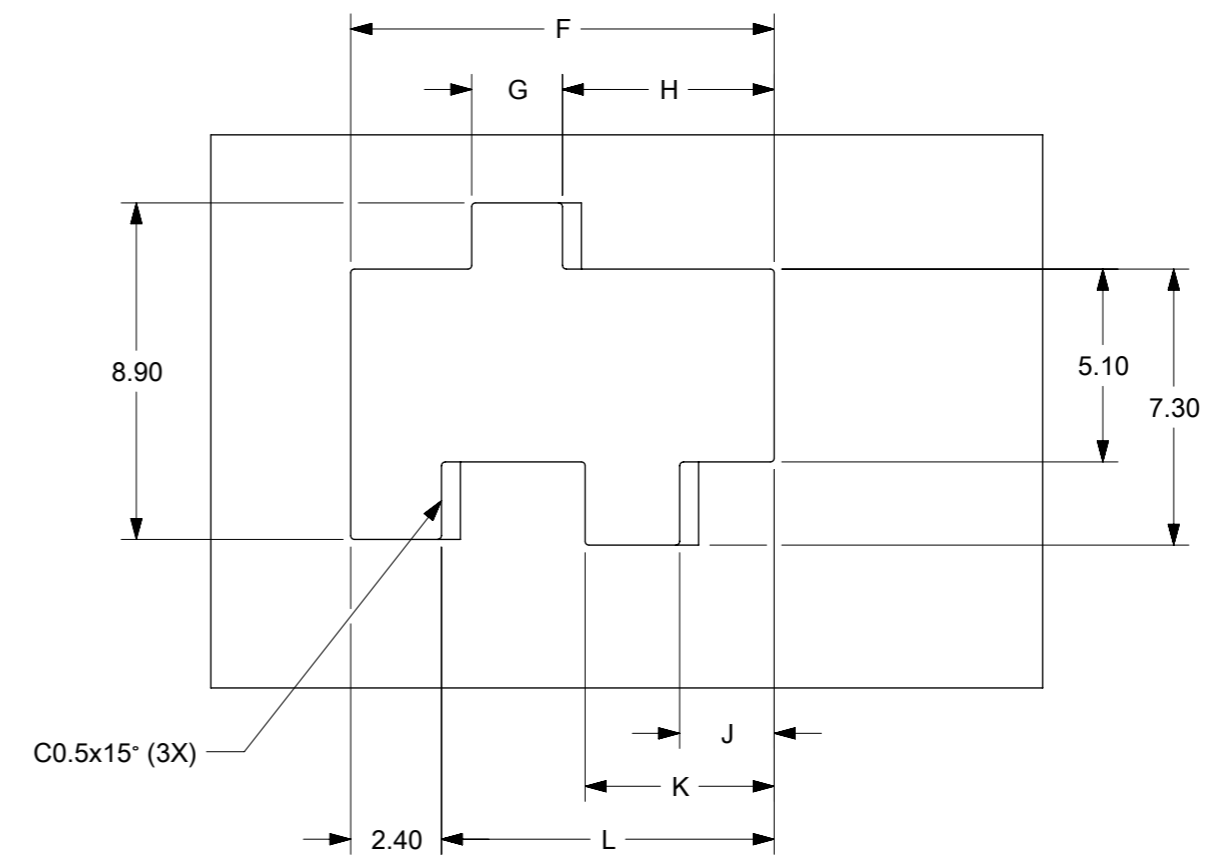
B

A

A



RECOMMENDED PANEL TOLERANCE ±0.10  
 THICKNESS 1.15 ±0.10  
 FOR 6 CIRCUITS



RECOMMENDED PANEL TOLERANCE ±0.10  
 THICKNESS 1.15 ±0.10  
 FOR 8, 10, 12, 14, 16, 18 AND 20 CKTS

THIS DRAWING CONTAINS INFORMATION THAT IS PROPRIETARY TO MOLEX ELECTRONIC TECHNOLOGIES, LLC AND SHOULD NOT BE USED WITHOUT WRITTEN PERMISSION									
DIMENSION UNITS		SCALE		CURRENT REV DESC: CUSTOMER MODEL UPDATE				<b>molex</b>	
mm		NTS							
GENERAL TOLERANCES (UNLESS SPECIFIED)									
ANGULAR TOL ± 3.0 °									
4 PLACES		±		EC NO: 664701				2021/05/20	
3 PLACES		±		DRWN: KSUTAR					
2 PLACES		± 0.2		CHK'D: ABABUPS					
1 PLACE		±		APPR: MRAMAKRISHNA				2021/05/21	
0 PLACES		±		INITIAL REVISION:				2021/05/24	
DRAFT WHERE APPLICABLE MUST REMAIN WITHIN DIMENSIONS		THIRD ANGLE PROJECTION		DRAWING		SERIES		DOCUMENT NUMBER	
				A3-SIZE		151014		SD-151014-0001	
								DOC TYPE DOC PART REVISION	
								PSD 001 A3	
								MATERIAL NUMBER CUSTOMER SHEET NUMBER	
								SEE TABLE GENERAL MARKET 3 OF 4	

DOCUMENT STATUS	P1	RELEASE DATE	2021/05/24	05:23:24
-----------------	----	--------------	------------	----------

9

8

7

6

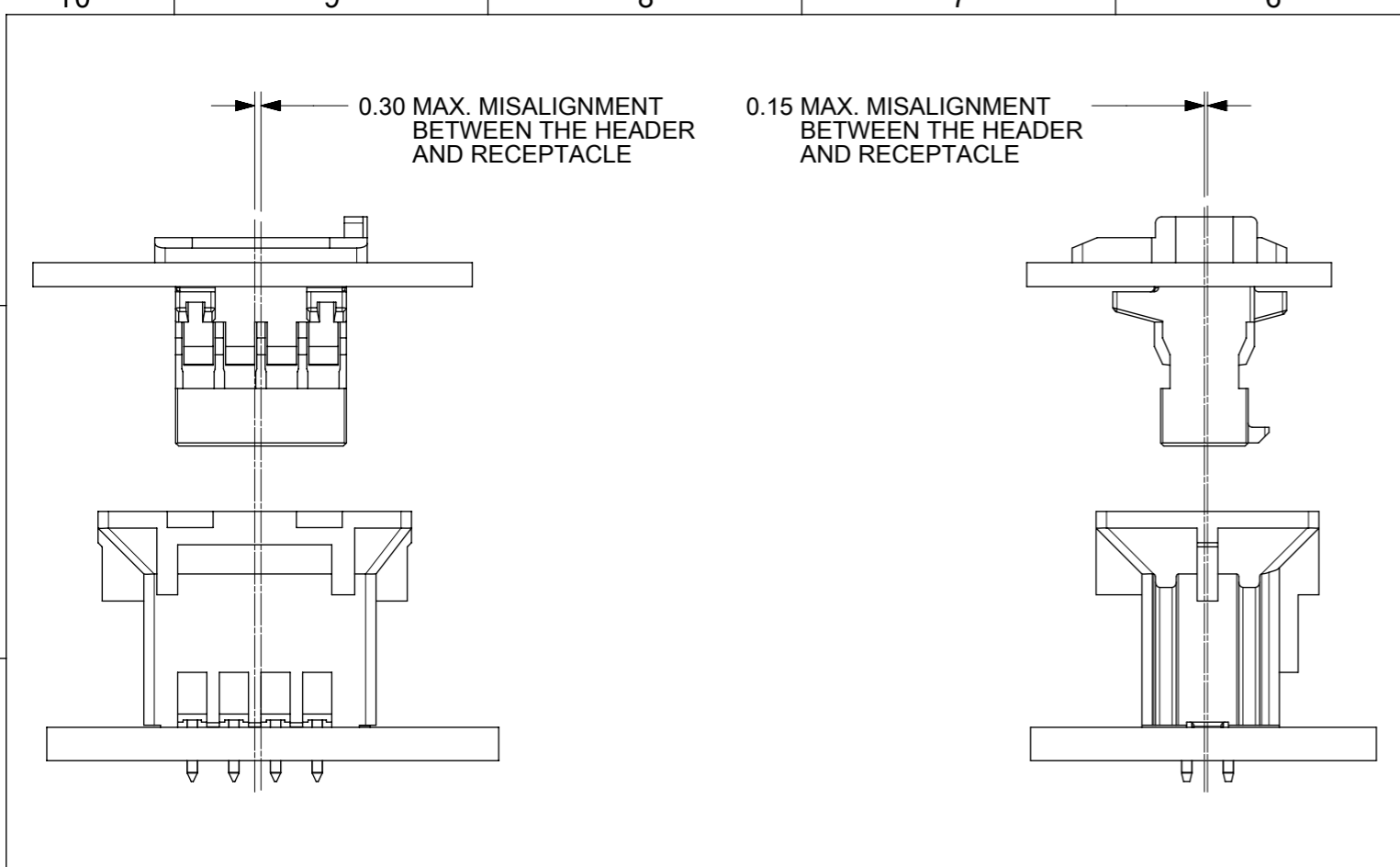
5

4

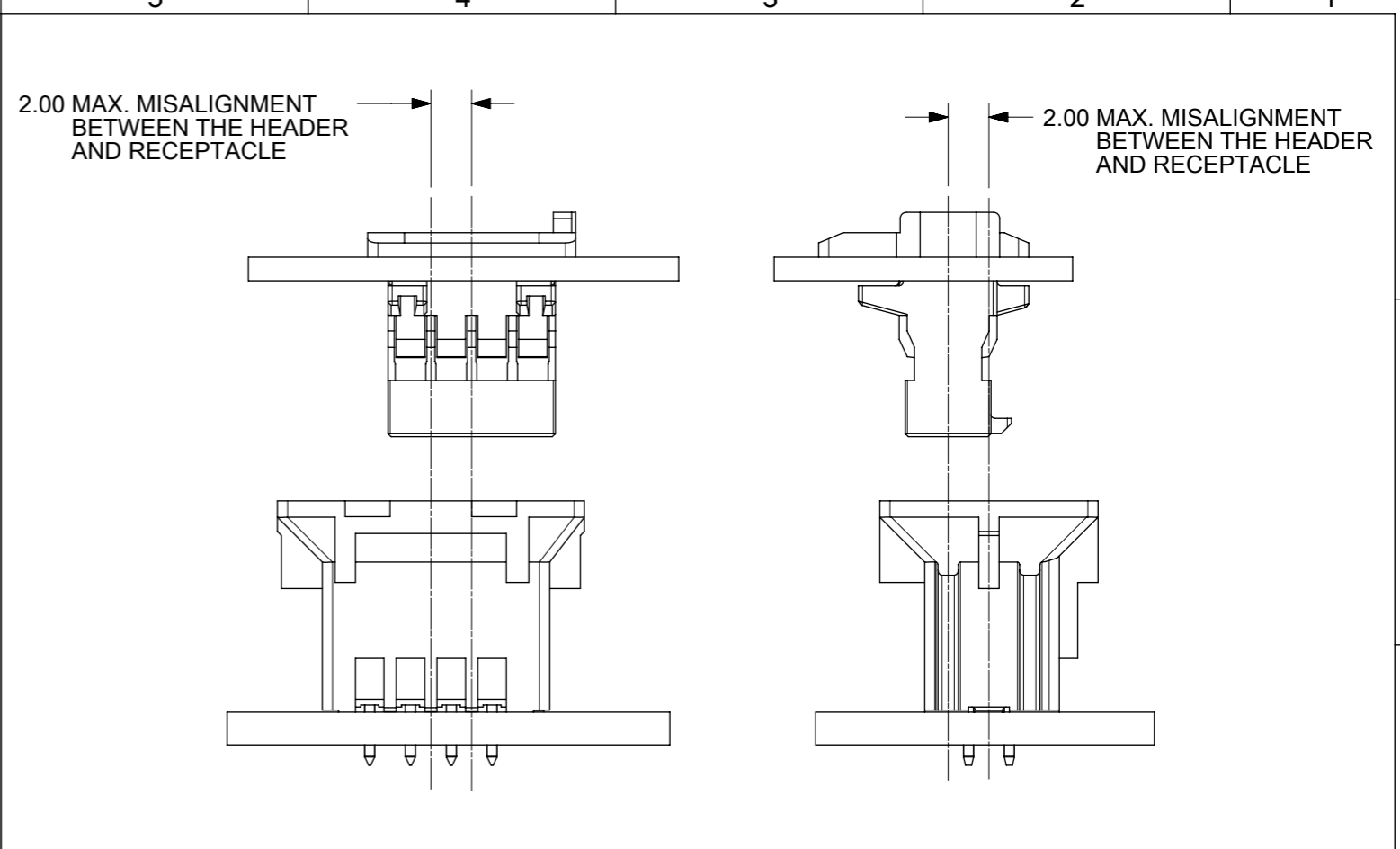
3

2

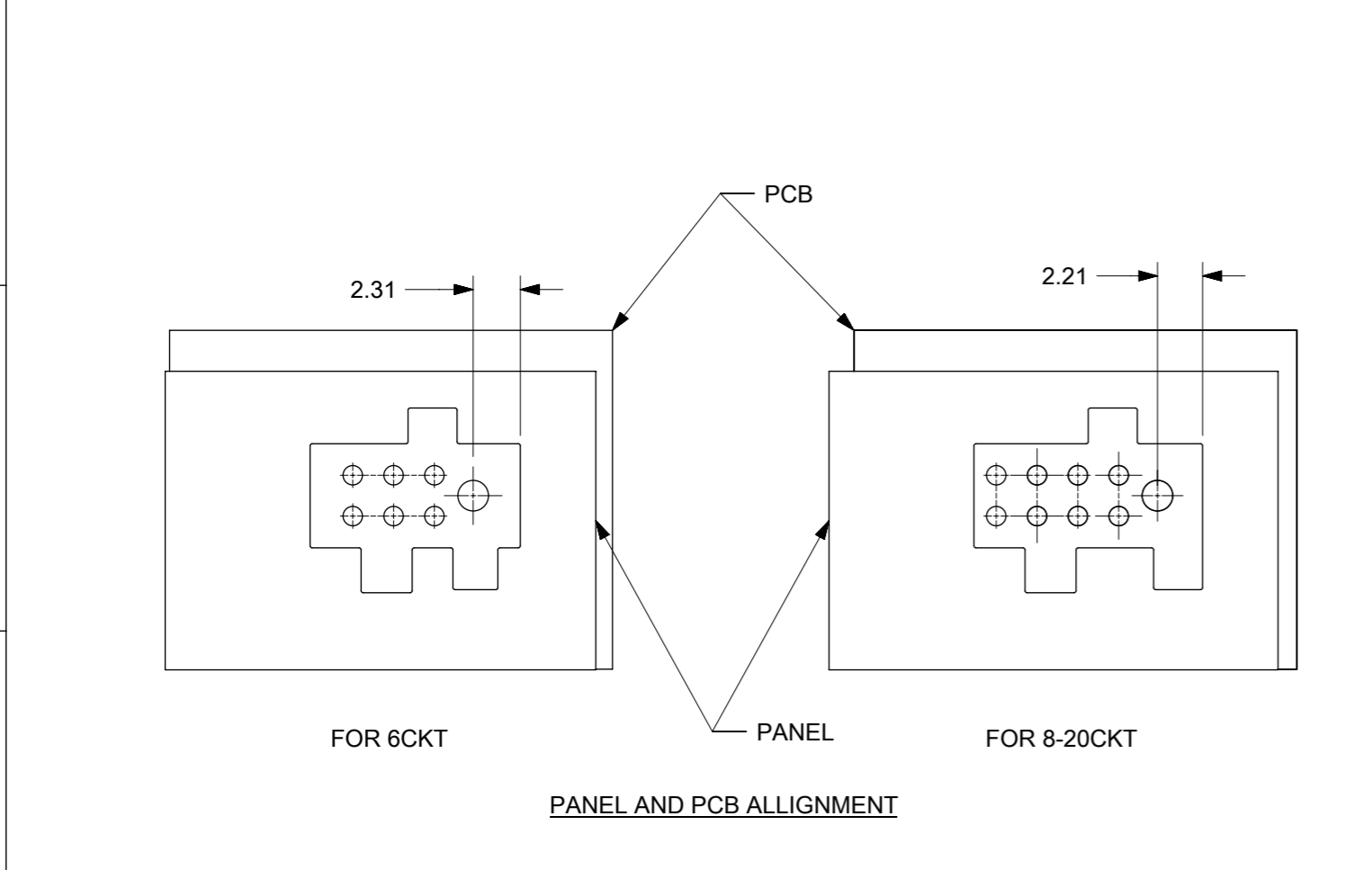
1



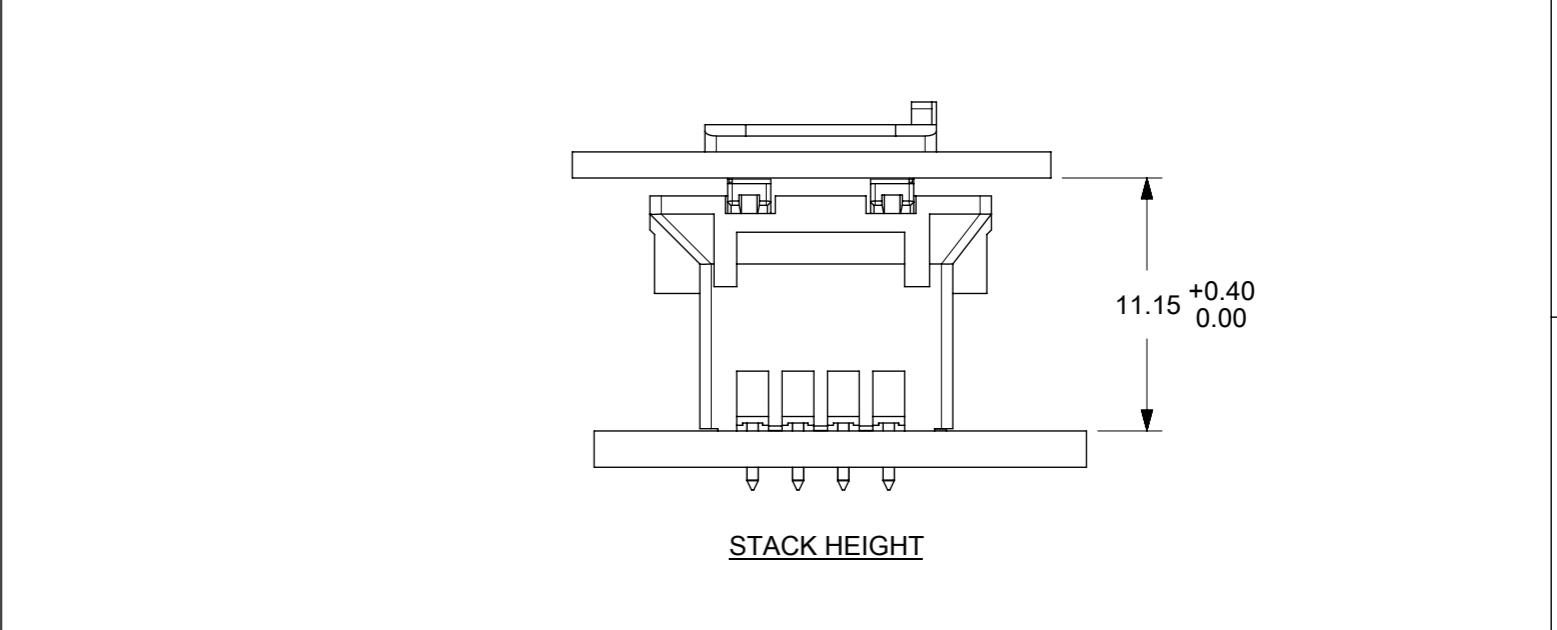
OPTION 1: PANEL IN FIXED CONDITION



OPTION 2: PANEL IN FLOATING CONDITION



PANEL AND PCB ALIGNMENT



STACK HEIGHT

THIS DRAWING CONTAINS INFORMATION THAT IS PROPRIETARY TO MOLEX ELECTRONIC TECHNOLOGIES, LLC AND SHOULD NOT BE USED WITHOUT WRITTEN PERMISSION									
DIMENSION UNITS		SCALE		CURRENT REV DESC: CUSTOMER MODEL UPDATE					
mm		NTS		<b>2MM PITCH CRIMP RECEPTACLE HOUSING WITH PANEL MOUNT FEATURE</b>					
GENERAL TOLERANCES (UNLESS SPECIFIED)									
ANGULAR TOL ± 3.0 °				PRODUCT CUSTOMER DRAWING					
4 PLACES ±		3 PLACES ±		EC NO: 664701		2021/05/20		DOCUMENT NUMBER	
3 PLACES ±		2 PLACES ±		DRWN: KSUTAR		2021/05/21		SD-151014-0001	
2 PLACES ±		1 PLACE ±		CHK'D: ABABUPS		2021/05/24		DOC TYPE DOC PART REVISION	
1 PLACE ±		0 PLACES ±		APPR: MRAMAKRISHNA		2021/05/24		PSD 001 A3	
INITIAL REVISION:				2015/06/15		2015/06/29		SHEET NUMBER	
DRWN: GMENARLY				APPR: KHLIM		MATERIAL NUMBER		CUSTOMER	
DRAFT WHERE APPLICABLE MUST REMAIN WITHIN DIMENSIONS				THIRD ANGLE PROJECTION		DRAWING		SERIES	
						A3-SIZE		151014	
				SEE TABLE		GENERAL MARKET		4 OF 4	