

6-2232532-3 ✓ ACTIVE

RAST | RAST 5D

TE Internal #: 6-2232532-3

PCB Mount Header, Vertical, Wire-to-Board, 3 Position, 5 mm [.197 in] Centerline, Fully Shrouded, Tin, Through Hole - Solder, Power, Natural, RAST 5D

[View on TE.com >](#)



Connectors > PCB Connectors > PCB Headers & Receptacles



Connector System: **Wire-to-Board**

Number of Positions: **3**

Number of Rows: **1**

Centerline (Pitch): **5 mm [.197 in]**

PCB Mount Orientation: **Vertical**

## Features

### Product Type Features

Connector System	Wire-to-Board
Header Type	Fully Shrouded
Sealable	No
Connector & Contact Terminates To	Printed Circuit Board
PCB Connector Assembly Type	PCB Mount Header

### Configuration Features

Number of Columns	3
Number of Positions	3
Number of Rows	1
PCB Mount Orientation	Vertical

### Electrical Characteristics

Operating Voltage	250 VAC
-------------------	---------

### Body Features

Primary Product Color	Natural
-----------------------	---------



### Contact Features

PCB Contact Termination Area Plating Material Thickness	3.81 $\mu\text{m}$ [150 $\mu\text{in}$ ]
Contact Layout	Inline
Mating Tab Width	6.3 mm[.248 in]
Mating Tab Thickness	.8 mm[.032 in]
Contact Underplating Material Thickness	1.27 $\mu\text{m}$ [50 $\mu\text{in}$ ]
Contact Mating Area Plating Material Thickness	3.81 $\mu\text{m}$ [150 $\mu\text{in}$ ]
PCB Contact Termination Area Plating Material Finish	Matte
Contact Shape & Form	Rectangular
Contact Mating Area Plating Material Finish	Matte
Contact Underplating Material	Nickel
PCB Contact Termination Area Plating Material	Tin
Contact Base Material	Brass
Contact Mating Area Plating Material	Tin
Contact Type	Tab
Contact Current Rating (Max)	16 A

### Termination Features

Square Termination Post & Tail Dimension	.8 mm[.032 in]
Termination Method to Printed Circuit Board	Through Hole - Solder

### Mechanical Attachment

PCB Mount Alignment Type	Locating Posts
Mating Alignment Type	Keyed, Polarization
Mating Retention	With
Connector Mounting Type	Board Mount
Mating Alignment	With
PCB Mount Alignment	With
PCB Mount Retention	Without

### Housing Features

Housing Material	Nylon
Centerline (Pitch)	5 mm[.197 in]

### Dimensions

Connector Length	17.3 mm[.68 in]
------------------	-----------------



Connector Height	12.8 mm[.503 in]
------------------	------------------

Connector Width	14.9 mm[.58 in]
-----------------	-----------------

### Usage Conditions

Operating Temperature Range	-40 – 120 °C[-40 – 248 °F]
-----------------------------	----------------------------

### Operation/Application

Circuit Application	Power
---------------------	-------

### Industry Standards

Agency/Standard	UL
-----------------	----

Approved Standards	UL E28476
--------------------	-----------

UL Flammability Rating	UL 94V-0
------------------------	----------

### Packaging Features

Packaging Type	Loose Piece
----------------	-------------

## Product Compliance

[For compliance documentation, visit the product page on TE.com>](#)

EU RoHS Directive 2011/65/EU	Compliant
------------------------------	-----------

EU ELV Directive 2000/53/EC	Compliant
-----------------------------	-----------

China RoHS 2 Directive MIIT Order No 32, 2016	No Restricted Materials Above Threshold
---	---

EU REACH Regulation (EC) No. 1907/2006	Current ECHA Candidate List: JUNE 2023 (235) Candidate List Declared Against: JUNE 2023 (235) Does not contain REACH SVHC
--	---

Halogen Content	Not Low Halogen - contains Br or Cl > 900 ppm.
-----------------	--

Solder Process Capability	Not reviewed for solder process capability
---------------------------	--

#### Product Compliance Disclaimer

This information is provided based on reasonable inquiry of our suppliers and represents our current actual knowledge based on the information they provided. This information is subject to change. The part numbers that TE has identified as EU RoHS compliant have a maximum concentration of 0.1% by weight in homogenous materials for lead, hexavalent chromium, mercury, PBB, PBDE, DBP, BBP, DEHP, DIBP, and 0.01% for cadmium, or qualify for an exemption to these limits as defined in the Annexes of Directive 2011/65/EU (RoHS2). Finished electrical and electronic equipment products will be CE marked as required by Directive 2011/65/EU. Components may not be CE marked. Additionally, the part numbers that TE has identified as EU ELV compliant have a maximum concentration of 0.1% by weight in homogenous materials for lead, hexavalent chromium, and mercury, and 0.01% for cadmium, or qualify for an exemption to these limits as defined in the Annexes of Directive 2000/53/EC (ELV). Regarding the REACH Regulation, the information TE provides on SVHC in articles for this part number is based on the latest European Chemicals Agency (ECHA) 'Guidance on requirements for substances in articles' posted at this URL: <https://echa.europa.eu/guidance-documents/guidance-on-reach>

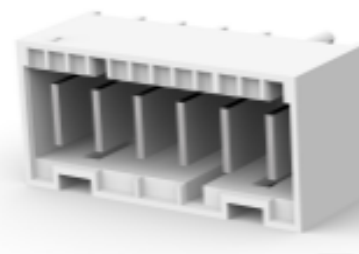
## Compatible Parts



TE Part # 2232532-8  
8P, PL RAST 5 Tab Header, TH,Vertical



TE Part # 1-2232532-4  
4P, PL RAST 5 Tab Header, TH,Vertical



TE Part # 1-2232532-6  
6P, PL RAST 5 Tab Header, TH,Vertical



TE Part # 1-2232532-5  
5P, PL RAST 5 Tab Header, TH,Vertical



TE Part # 2232532-3  
3P, PL RAST 5 Tab Header, TH, Vertical



TE Part # 2232532-5  
5P, PL RAST 5 Tab Header, TH,Vertical



TE Part # 3-2232532-2  
2P, PL RAST 5 Tab Header, TH, Vertical



TE Part # 3-2232532-3  
3P, PL RAST 5 Tab Header, TH,Vertical



TE Part # 4-2232532-3  
3P, PL RAST 5 Tab Header, TH,Vertical

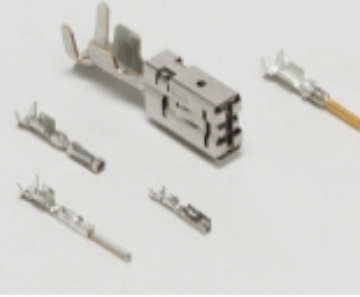


TE Part # 7-2232532-3  
3P, PL RAST 5 Tab Header, TH,Vertical




TE Part # 9-2232532-3  
3P, RAST 5 TAB HEADER, THV, TUBE PECKAGE


## Also in the Series | RAST 5D



Automotive Terminals(5)



Connector Contacts(10)



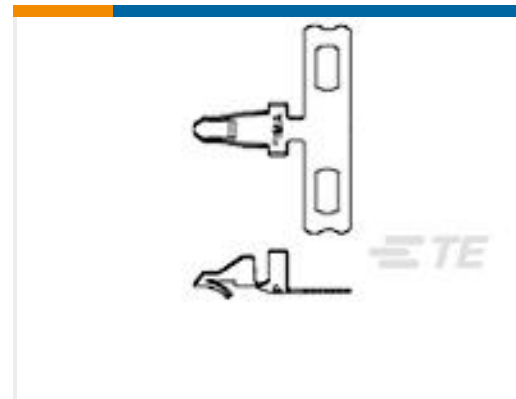
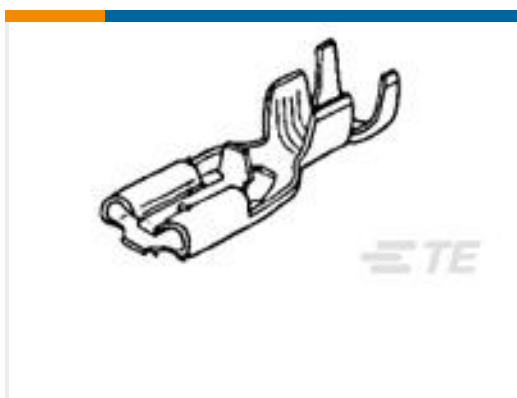
Insertion & Extraction Tools(1)



PCB Headers & Receptacles(69)

Wire-to-Board Connector Assemblies  
& Housings(88)

## Customers Also Bought

TE Part #2-2834075-3  
3P REC, MINIATURE WATERPROOF  
CONN,BLACKTE Part #794617-6  
6POS,MICRO MNL,RCPT HSGTE Part #104257-3  
04 MTE RCPT HSG SR LATCH .100TE Part #5-160433-6  
187 FASTON REC 20-16 AWG TPBRTE Part #964203-5  
STD PW TIMER CONTACTTE Part #2-1241961-7  
STD TIM HOUSING MKII 3POSTE Part #350566-7  
MINI AMP-IN 22-18 AWG POST TIN  
PLTDTE Part #925819-3  
MINI AMP-IN 26-22 AWG  
PLTDTE Part #170324-1  
187 PL MKII REC. 24-20AWG PTBRTE Part #3-927829-5  
STD PW TIMER CONTACT

## Documents

### Product Drawings

3P, PL RAST 5 Tab Header, TH,Vertical

English

### CAD Files

3D PDF

3D

Customer View Model

ENG\_CVM\_CVM\_6-2232532-3\_B.2d\_dxf.zip



English

**Customer View Model**

[ENG\\_CVM\\_CVM\\_6-2232532-3\\_B.3d\\_igs.zip](#)

English

**Customer View Model**

[ENG\\_CVM\\_CVM\\_6-2232532-3\\_B.3d\\_stp.zip](#)

English

By downloading the CAD file I accept and agree to the [Terms and Conditions](#) of use.

---

**Product Specifications**

[Product Specification](#)

English

---

**Agency Approvals**

[VDE Certificate](#)

English