

6

5

4

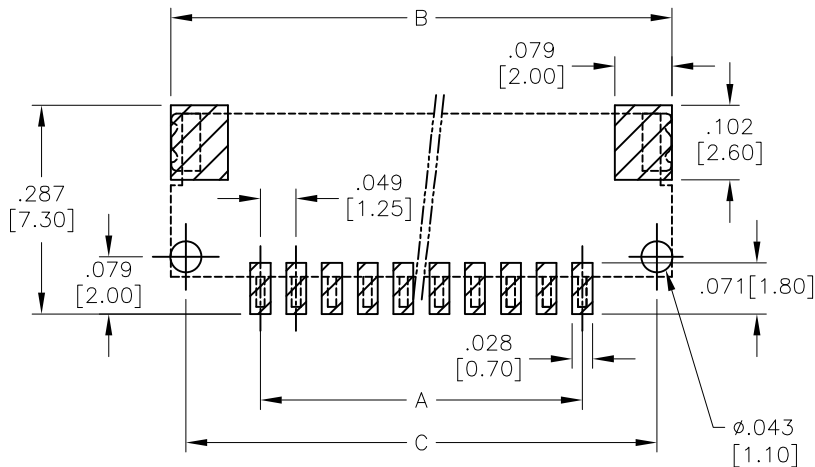
3

2

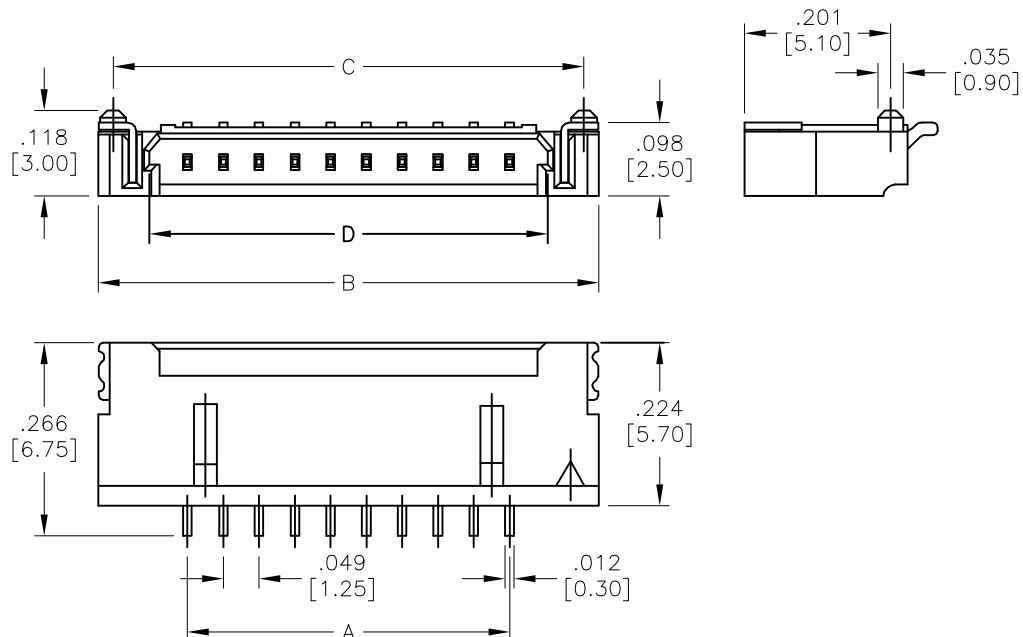
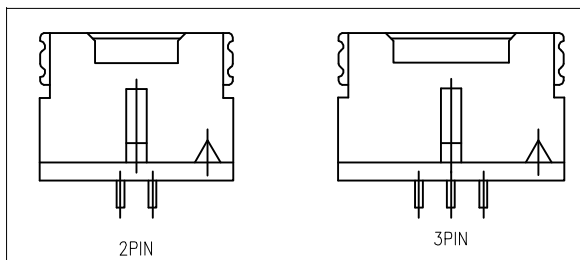
1

APPROVED: \_\_\_\_\_  
DATE: \_\_\_\_\_ TITLE: \_\_\_\_\_

Rev	AWO #	Description	Date	Appr
-		RELEASED	11/21/13	
A		UPDATED DRAWING	10/7/16	AY/NC
B		ADDED DRAWING & DIM.	10/17/19	AY/TW



RECOMMENDED PCB LAYOUT



**SPECIFICATIONS:**

Material:  
 Insulator: Hi-temp thermoplastic, rated UL 94V-0  
 Insulator color: Nature  
 Contacts: Copper Alloy  
**Plating:**  
 Tin over Nickel underplate overall  
**Electrical:**  
 Operating voltage: 100 VAC/DC  
 Current rating: 1.0 A AC/DC (With AWG #28 is applied)  
 Contact resistance: 20 mohms max  
 Insulation resistance: 500 Mohms min  
 Dielectric withstanding voltage: 500 VAC for 1 minute  
**Temperature Rating:**  
 Operating temperature: -25°C to +85°C  
 Environmental:  
 Lead free, RoHS compliant.



PACKAGED ON TAPE & REEL

Positions: 02 thru 30  
 A = .049 [1.25] X No. of Spaces  
 B = .049 [1.25] X No. of Spaces + .246 [6.25]  
 C = .049 [1.25] X No. of Spaces + .205 [5.20]  
 D = .049 [1.25] X No. of Spaces + .104 [2.65]

UNLESS OTHERWISE SPECIFIED ALL DIMENSIONS ARE INCHES [MM] TOLERANCES: EXCEPT AS NOTED		
INCHES HOLES		
.X ± .10	Ø.X ± .10	
.XX ± .020	Ø.XX ± .015	
.XXX ± .015	Ø.XXX ± .010	
APPROVALS		DATE
DRAWN	AY	11/21/13
CHECKED	AL	11/21/13
APPROVED		

**ADAM TECH INTERCONNECTS**  
 909 Rahway Avenue,  
 Union, NJ 07083  
 Phone: 908-687-5000  
 Fax: 908-687-5710

TITLE: .049 [1.25] PITCH WIRE TO BOARD HEADER  
 RIGHT ANGLE, SMD TYPE

SIZE	PART NO.	REV.
X	125SH-D-XX-TR-SMT-T/R	B
REF: S00124T	SCALE: NTS	SHEET 1 OF 1

6

5

4

3

2

1