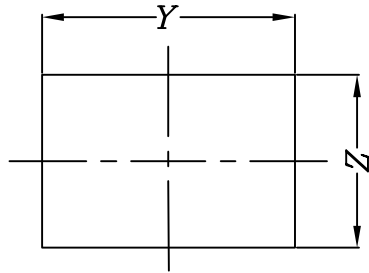


NOTES:

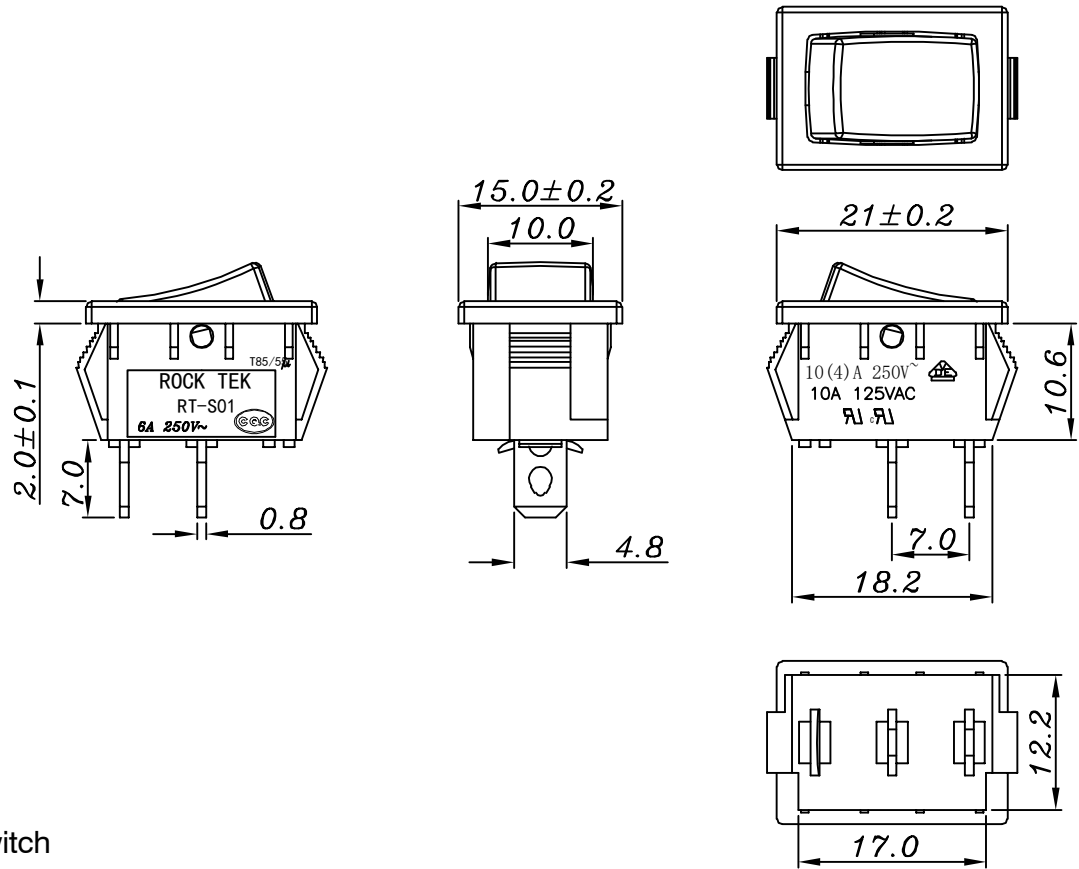
- 1.Circuit: ON/OFF
- 2.Operation force: 500±200gf
- 3.Electrocal rating:10(4)A 250V~
10A 125VAC
6A 250V~
- 4.Contact resistance:<30mΩ
- 5.Insulation resistance:>100MΩ(500VDC
between open contacts)
- 6.Dielectric strength:>1500VAC 0.5mA 1 minute
- 7.Color: cover is black, body is black.

Panel cut - out:

X	Dim.Y	Dim.Z
0.75~1.25mm	19.20+0.1/-0	12.80+0.1/-0
1.25~2.0mm	19.30+0.1/-0	12.80+0.1/-0



Circuit of Switch



NO	DESCRIPTION	NO	DESCRIPTION	ANGLES	TOLERANCE	APPROVED	CHECKED	DESIGN	DRAWN	ALL SIZE ARE IN	MM	DRAWING NO. REV.	
5	→	10	→		DIMENSIONAL TOLERANCES					SCALE	NO		
4	→	9	→		RANGE					MAT'L	***		
3	→	8	→	X	±0.30				LMC	MATERIAL NO.			
2	→	7	→	X.X	±0.20				2019.05.20				
1	→	6	→	X.XX	±0.10								
				±1'		ROCKTEK ELECTRICAL(SHENZHEN) CO.,LTD.				RT-S01-113-L1NB1B	*****	AO	