

| TABLE 1 | |
|---------|--------------------------------|
| DASH NO | DESCRIPTION |
| -1 | CAP (NO CHAIN) |
| -2 | CAP WITH 2.5 INCH BRASS CHAIN |
| -3 | CAP WITH 2.5 INCH NYLON CHAIN |
| -4 | CAP WITH 3.0 INCH BRASS CHAIN |
| -5 | CAP WITH 3.0 INCH NYLON CHAIN |
| -6 | CAP WITH 6.0 INCH BRASS CHAIN |
| -7 | CAP WITH 6.0 INCH NYLON CHAIN |
| -8 | CAP WITH 4.0 INCH BRASS CHAIN |
| -9 | CAP WITH 4.0 INCH NYLON CHAIN |
| -10 | CAP WITH 10.0 INCH BRASS CHAIN |
| -11 | CAP WITH 10.0 INCH NYLON CHAIN |
| -12 | CAP WITH 2.5 INCH SST ROPE |
| -13 | CAP WITH 3.0 INCH SST ROPE |
| -14 | CAP WITH 6.0 INCH SST ROPE |
| -15 | CAP WITH 4.0 INCH SST ROPE |
| -16 | CAP WITH 7.0 INCH SST ROPE |
| -17 | CAP WITH 4.5 INCH SST ROPE |
| -18 | CAP WITH 12 INCH SST ROPE |

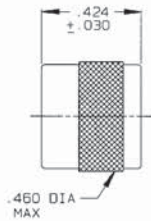
| TABLE 2 | |
|----------|----------|
| MODEL NO | TYPE |
| RF155 | 3-LUG |
| RF155FL | 4-LUG |
| RF155FL | 4-LUG |
| RF1355 | THREADED |
| RF1355 | THREADED |

| TABLE 3 | | | | |
|---------|---------|---------|---------|---------|
| DASH NO | "A" DIA | "B" DIA | "C" DIM | "D" DIM |
| -02 | .630 | .750 | 1.066 | .450 |
| -03 | .505 | .625 | .941 | .388 |
| -04 | .439 | .562 | .878 | .355 |
| -05 | .380 | .500 | .816 | .325 |
| -06 | .317 | .437 | .753 | .295 |
| -07 | .281 | .406 | .722 | .278 |
| -08 | .610 | .750 | 1.066 | .450 |
| -09 | .567 | .687 | 1.003 | .419 |
| -010 | .192 | .312 | .628 | .231 |
| -DD8 | .330 | .450 | .766 | .300 |

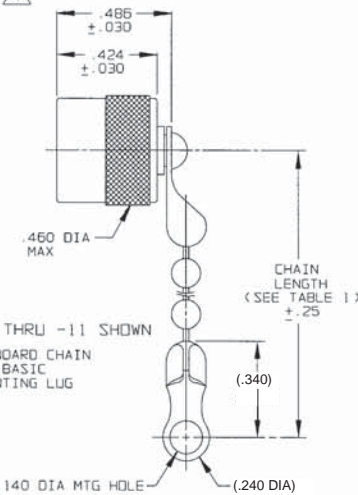
DATA CONTAINED IN THIS DOCUMENT IS PROPRIETARY TO TROMPETER ELECTRONICS INC AND SHALL NOT BE DISCLOSED, COPIED OR USED FOR REPRODUCTION IN ANY MANNER WITHOUT EXPRESS WRITTEN PERMISSION OF TROMPETER ELECTRONICS INC.

| REVISIONS | | 1-0151 | SH 1 |
|-----------|-----------------------|---------|------------|
| REV | DESCRIPTION | DATE | APPROVED |
| M | REVISED PER ECO 15018 | 4-10-03 | <i>gmk</i> |

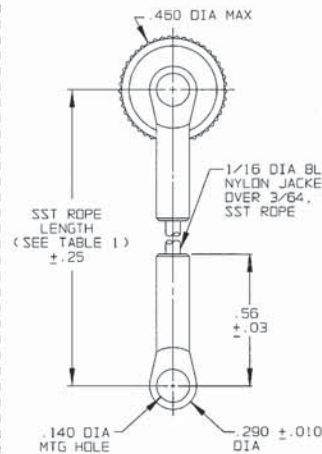
RED INDICATES ORIGINAL



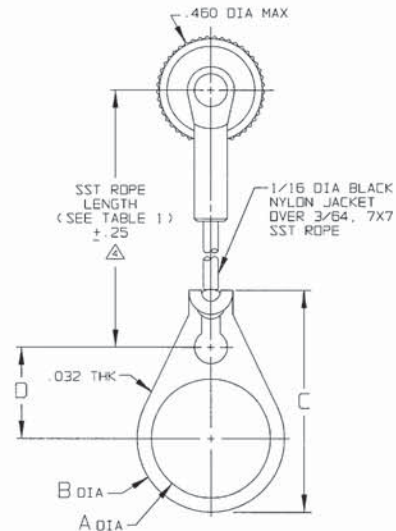
-1 SHOWN
NO STAINLESS STEEL ROPE CHAIN OR MOUNTING LUG



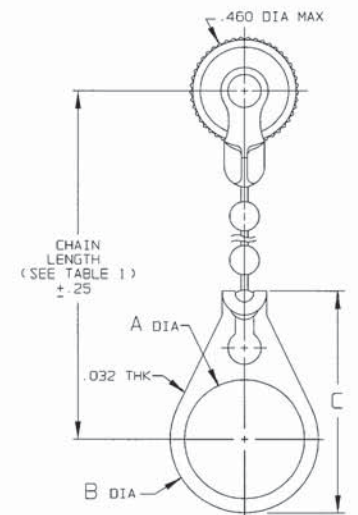
-2 THRU -11 SHOWN
STANDARD CHAIN AND BASIC MOUNTING LUG



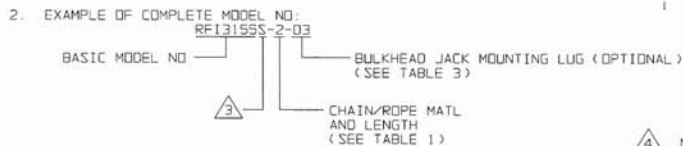
-12 THRU -18 SHOWN
STAINLESS STEEL ROPE AND BASIC MOUNTING LUG



-12-02 THRU -18-008 SHOWN
STAINLESS STEEL ROPE AND BULKHEAD JACK MOUNTING LUG



-2-02 THRU -DD8 SHOWN
STANDARD CHAIN AND BULKHEAD JACK MOUNTING LUG



1. MALE 3 & 4-LUG & THREADED STYLE SUBMINIATURE RFI DUST CAP WITH OR WITHOUT CHAIN OR JACKETED STAINLESS STEEL ROPE AND MOUNTING OPTION

△ NOTE THAT CHAIN LENGTH FOR SST ROPE WITH MOUNTING LUG OPTION IS NOT MEASURED TO CENTER OF BULKHEAD MOUNTING LUG

△ IF SAFETY WIRE REQUIRED ADD SUFFIX "S" TO MODEL NO. (i.e. RF13155S)

| | |
|------|---------|
| DATE | 4-9-03 |
| DATE | 4/9/03 |
| DATE | 4/10/03 |
| DATE | 4/10/03 |
| DATE | 4/10/03 |

TROMPETER
ELECTRONICS, INC.

TITLE: RFI55/RF155/
RF155FL/RF1155FL/
RF1355/RF13155

SIZE: B CAGE CODE: 14949 DRAWING NO: 1-0151 REV. M

SCALE: 2/1 DATE: 2-22-77 SHEET: 1C