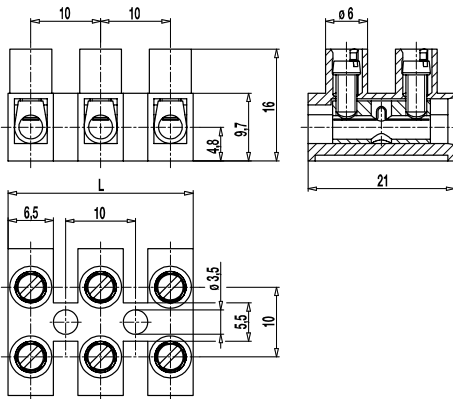
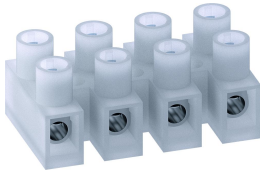


323(-HDS)

Socket terminal strip
Screw connection



The socket terminal strip 323 is available in 10 mm pitch with 1- to 12-pole design and can be easily stripped to the desired number of poles.
The flexible polyamide moulding can even be mounted on curved surfaces.

The wire protector of the "HDS"-version reliably prevents damage to multi-wire flexible conductors by the turning screw.

Part Numbers

| No. of poles | 323 | 323-HDS | Length | PU |
|--------------|------------|------------|--------|------|
| 1 | 11.822.010 | 31.822.008 | 8,00 | 2500 |
| 2 | 12.822.010 | 32.822.008 | 18,00 | 1000 |
| 3 | 13.822.010 | 33.822.008 | 28,00 | 1000 |
| 4 | 14.822.010 | 34.822.008 | 38,00 | 800 |
| 5 | 15.822.010 | 35.822.008 | 48,00 | 500 |
| 6 | 16.822.010 | 36.822.008 | 58,00 | 100 |
| 7 | 17.822.010 | 37.822.008 | 68,00 | 70 |
| 8 | 18.822.010 | 38.822.008 | 78,00 | 70 |
| 9 | 19.822.010 | 39.822.008 | 88,00 | 60 |
| 10 | 20.822.010 | 40.822.008 | 98,00 | 50 |
| 11 | 21.822.010 | 41.822.008 | 108,00 | 50 |
| 12 | 22.822.010 | 42.822.008 | 117,00 | 50 |

Part Numbers: "no flame" acc. to glow-wire test

| No. of poles | 323 | 323-HDS | Length | PU |
|--------------|----------------|----------------|--------|------|
| 1 | 11.822.038.EN6 | 31.822.038.EN6 | 8,00 | 2500 |
| 2 | 12.822.038.EN6 | 32.822.038.EN6 | 18,00 | 1000 |
| 3 | 13.822.038.EN6 | 33.822.038.EN6 | 28,00 | 1000 |
| 4 | 14.822.038.EN6 | 34.822.038.EN6 | 38,00 | 800 |
| 5 | 15.822.038.EN6 | 35.822.038.EN6 | 48,00 | 500 |
| 6 | 16.822.038.EN6 | 36.822.038.EN6 | 58,00 | 100 |
| 7 | 17.822.038.EN6 | 37.822.038.EN6 | 68,00 | 70 |
| 8 | 18.822.038.EN6 | 38.822.038.EN6 | 78,00 | 70 |
| 9 | 19.822.038.EN6 | 39.822.038.EN6 | 88,00 | 60 |
| 10 | 20.822.038.EN6 | 40.822.038.EN6 | 98,00 | 50 |
| 11 | 21.822.038.EN6 | 41.822.038.EN6 | 108,00 | 50 |
| 12 | 22.822.038.EN6 | 42.822.038.EN6 | 117,00 | 50 |

General Information

| | |
|----------------------|---|
| Pitch | 10 mm |
| No. of poles | 1 - 12 |
| Areas of application | For lighting applications and similar electrical equipment. |




Technical Data

| | | | |
|-------------------------------|---|-------|--------|
| Clamping Range | <i>solid / flexible / AWG</i> | | |
| <i>without wire protector</i> | 0,75 - 6 mm ² / 0,75 - 4 mm ² / 18 - 10 AWG | | |
| <i>with wire protector</i> | 0,5 - 4 mm ² / 0,5 - 2,5 mm ² / 20 - 12 AWG | | |
| Rated Cross Section | 2,5 mm ² | | |
| Wire Stripping Length | 6,5 mm ± 0,5 mm | | |
| Overvoltage Category | III | III | II |
| Pollution Severity Level | 3 | 2 | 2 |
| Rated Voltage | 400 V | 630 V | 1000 V |
| Rated Impulse Voltage | 6 kV | 6 kV | 6 kV |
| Rated Insulation Voltage | 450 V acc. to EN 60998-1 | | |
| Rated Current | 24 A | | |
| Torque | 0,5 Nm | | |

Material

| | |
|----------------------------|--|
| Moulding | PA, natural, V-2 (PA, white, V-0) Details in brackets for "no flame" products |
| Comparative Tracking Index | CTI ≥ 600 |
| Insulating Group | I |
| Temperature Range | -40°C up to 100°C |
| Terminal Body | Nickel plated brass |
| Screw | M3; zinc plated steel, blue passivated |
| Wire protector | Stainless steel strip |

Approvals

| | Current [A] | Voltage [V] | Group | AWG | [Nm] |
|---|-------------|-------------|--------------------|---------|------|
|  | 30 | 300 | B | 22 - 10 | 0,51 |
| | 10 | 300 | D | 22 - 10 | 0,51 |
|  | 25 | 300 | B | 26 - 10 | 0,51 |
| | 10 | 300 | D,E | 26 - 10 | 0,51 |
| <hr/> | | | | | |
| | Current [A] | Voltage [V] | [mm ²] | | |
|  | 24 | 450 | 2,5 | | |

Options / Accessories

- Marking options on and between the screw guides
- Marking strips BST-323
- Jumper 323-J
- Crosshead screws
- Cover caps A-323 und base plate B-323 for additional contact protection
- Integrated wire stop (323-V(-HDS))