

SPECIFICATIONS:

MATERIALS:

SHELL: NICKEL PLATED STEEL
 INSULATOR: PA6T, UL94 V-0
 PROCESS TEMP: 260°C
 CONTACTS: GOLD PLATED BRASS

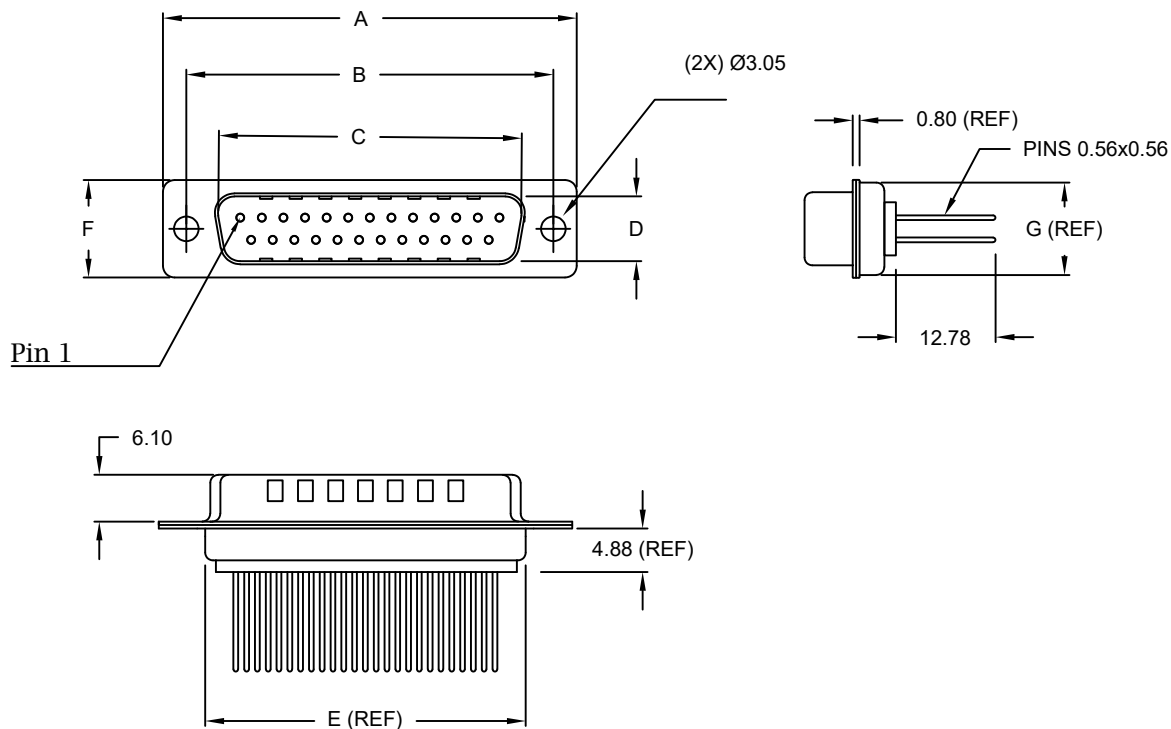
ELECTRICAL:

RATED CURRENT: 5A
 VOLTAGE: 500VAC FOR 1 MINUTE
 INSULATION RESISTANCE: 1000 MOhms MIN.
 CONTACT RESISTANCE: 15 mOhms MAX.

ENVIRONMENT:

OPERATING TEMPERATURE: -50°C TO +100°C

DIMENSIONS(mm)							
SIZE	A±.36	B±.10	C±.15	D±.15	E±.38	F±.25	G (REF)
9	30.80	24.99	17.00	8.40	19.20	12.60	10.75
15	39.15	33.32	25.30	8.40	27.70	12.60	10.75
25	53.04	47.04	39.00	8.40	41.10	12.60	10.75
37	69.32	63.50	55.40	8.40	57.30	12.60	10.75
50	66.93	61.11	52.80	11.10	55.10	15.20	13.30



172-YYY-143RYY1

SERIES _____
 POSITIONS _____
 009 _____
 015 _____
 025 _____
 037 _____
 050 _____
 GENDER _____
 1 = MALE
 TERMINATION _____
 4 = WIRE WRAP
 SHELL PLATING _____
 3 = NICKEL (GROUND INDENTS)
 HARDWARE OPTIONS _____
 00 = NO HARDWARE
 01 = .098" CLINCH NUT (PCB SIDE)
 02 = .236" CLINCH NUT (PCB SIDE)
 03 = .236" CLINCH NUT (MATING SIDE)
 05 = .237" 4-40 BOARD LOCK
 91 = .237" 4-40 SPACER/ BOARD LOCK
 PLATING OPTIONS _____
 1 = GOLD FLASH
 2 = 30MICRO-INCH GOLD

RoHS COMPLIANT

UNITS = mm

DO NOT SCALE FROM DRAWING

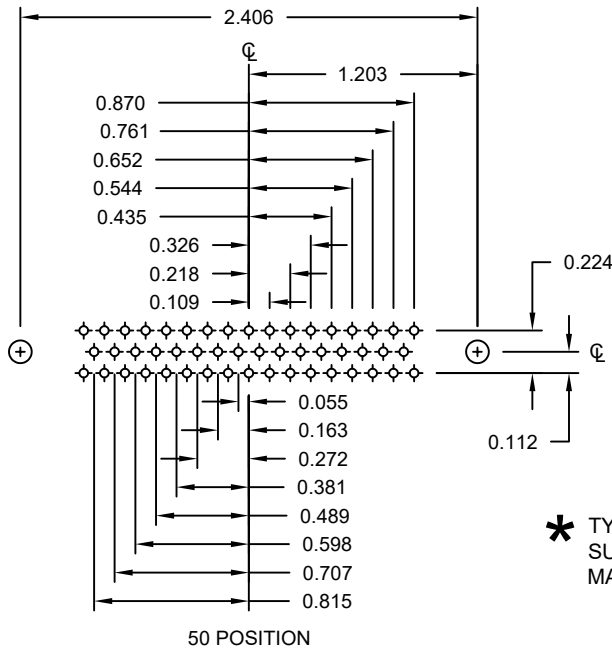
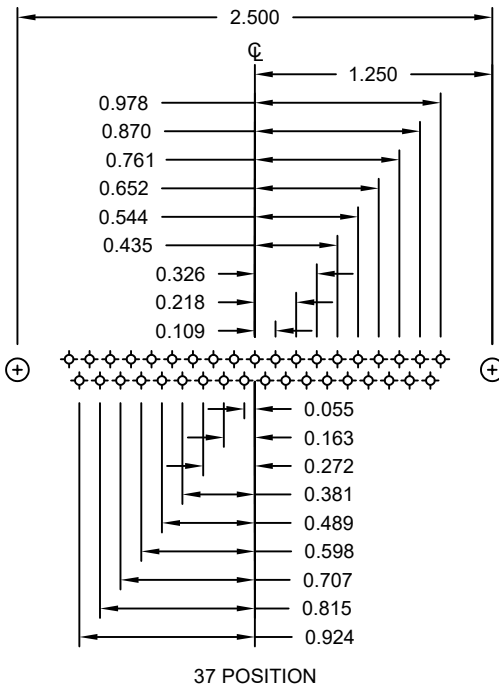
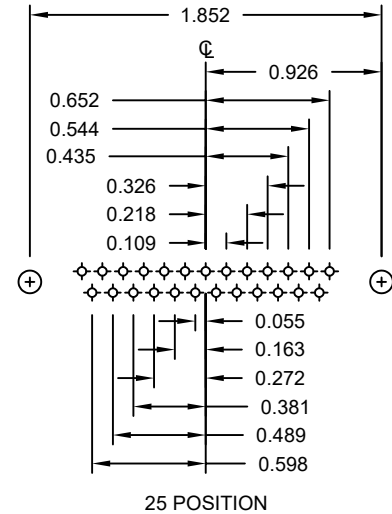
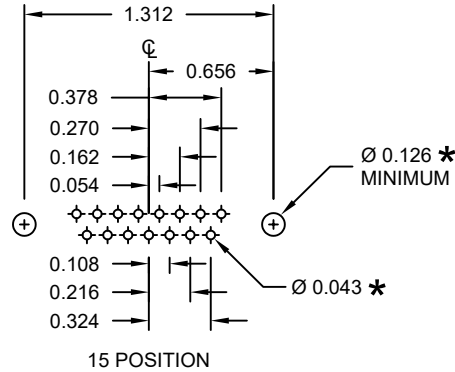
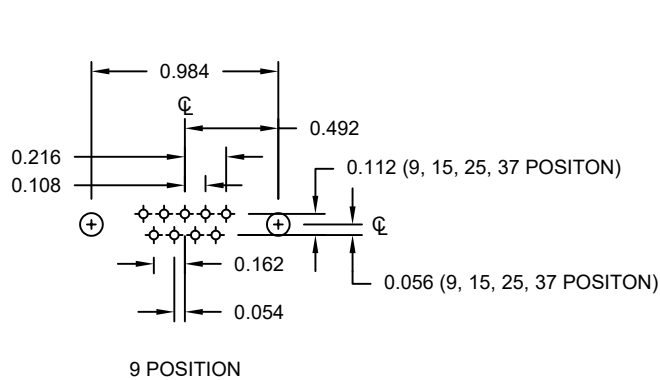


THESE DRAWINGS AND SPECIFICATIONS ARE THE PROPERTY OF NorComp AND SHALL NOT BE REPRODUCED, COPIED OR USED AS THE BASIS FOR THE MANUFACTURE OR SALE OF APPARATUS WITHOUT WRITTEN PERMISSION.

DRAWN: P. JENKINS
 DATE: 11/23/2005

NorComp

SCALE: NTS SHEET 1 OF 3 REV 16
 DWG NO. 172-YYY-143RYY1



* TYP.
SUGGESTED SIZE
MAY NOT BE SUITABLE FOR ALL APPLICATIONS

RoHS COMPLIANT

UNITS = inch

DO NOT SCALE FROM DRAWING



THESE DRAWINGS AND SPECIFICATIONS ARE THE PROPERTY OF NorComp AND SHALL NOT BE REPRODUCED, COPIED OR USED AS THE BASIS FOR THE MANUFACTURE OR SALE OF APPARATUS WITHOUT WRITTEN PERMISSION.

DRAWN:
P. JENKINS

DATE:
11/23/2005

NorComp

SCALE:
NTS

SHEET OF
2 3

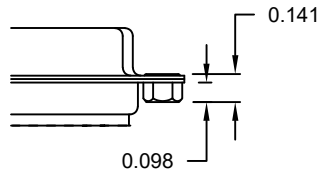
REV
16

DWG NO.

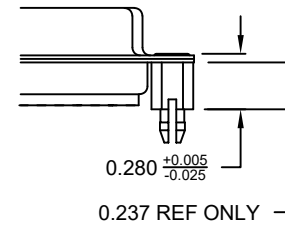
172-YYY-143RYY1

ALL CLINCH-NUTS ARE 4-40 INTERNAL THREADS

01X 0.098" (PCB SIDE)

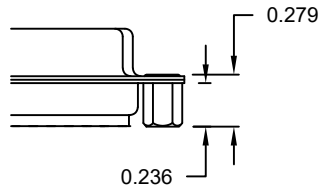


05X 0.237" (BOARD SIDE)

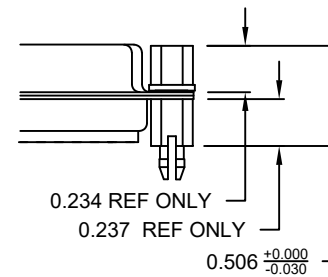


TOLERANCE:
ALL DIMENSIONS ARE ± 0.010
UNLESS OTHERWISE
SPECIFIED

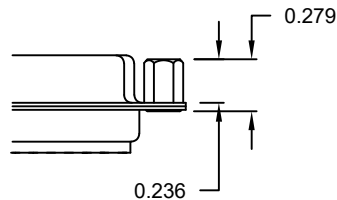
02X 0.236" (PCB SIDE)



91X 0.237" (BOARD SIDE)



03X..... 0.236" (MATING SIDE)



NOTE: 4-40 FEMALE SCREW LOCK IS REMOVABLE

50 in-oz
Max Torque

RoHS COMPLIANT

UNITS = inch

DO NOT SCALE FROM DRAWING



THESE DRAWINGS AND SPECIFICATIONS ARE THE PROPERTY OF NorComp AND SHALL NOT BE REPRODUCED, COPIED OR USED AS THE BASIS FOR THE MANUFACTURE OR SALE OF APPARATUS WITHOUT WRITTEN PERMISSION.

DRAWN:
P. JENKINS

DATE:
11/23/2005

NorComp

SCALE:
NTS

SHEET 3 OF 3

REV 16

DWG NO.

172-YYY-143RYY1