

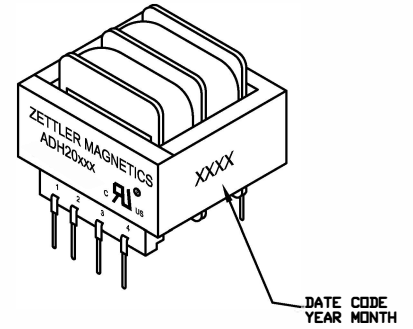
TRANSFORMER, POWER, PCB 1.1VA
 DUAL 115/230V PRIMARY AND DUAL SECONDARIES

1. ELECTRICAL SPECIFICATIONS:

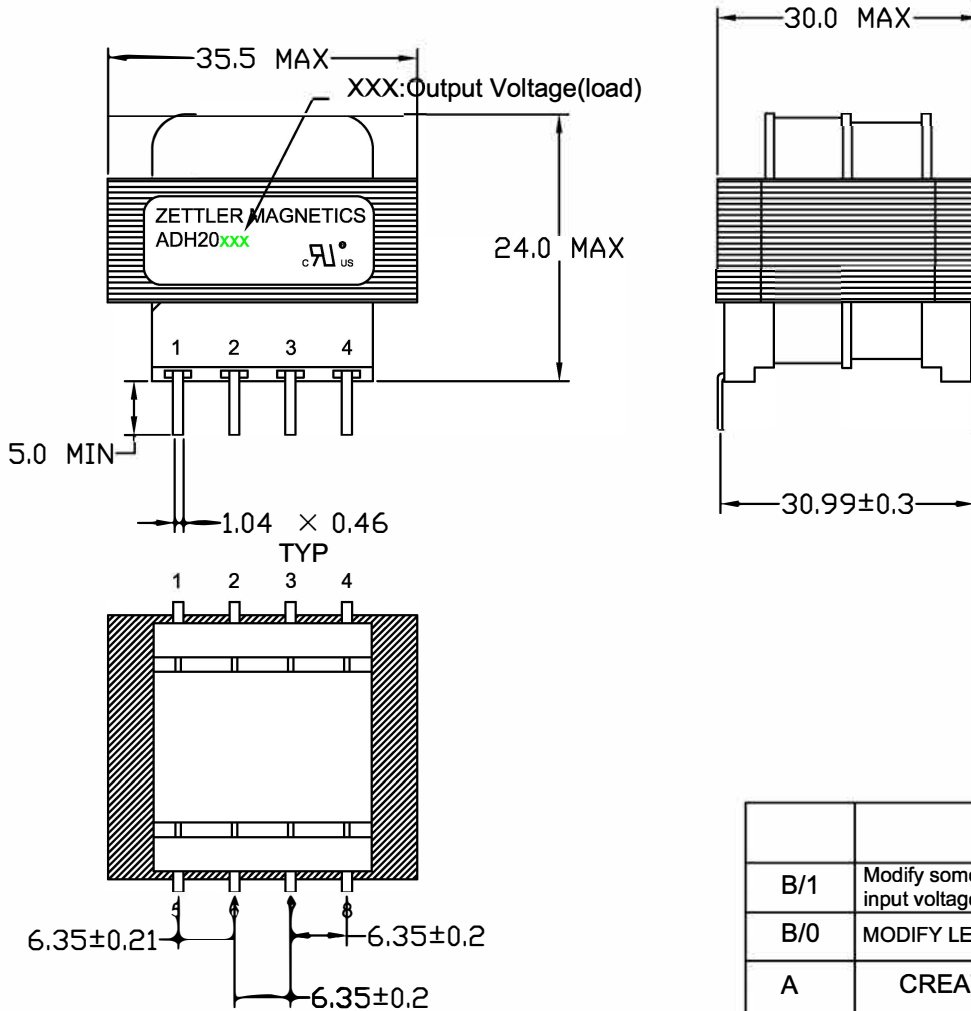
- A. Maximum Power: 1.1VA
- B. Primary Voltage and Frequency: 115/230V± 10% @ 50/60Hz
- C. Secondary Voltage: See Electrical Table
- D. Temperature Rise: 45° C MAX allowed
- E. Excitation Current: 25mA MAX
- F. Hi-Pot: 2500Vrms 1 minute @ Pri. to Sec.
 1500Vrms 1 minute @ Pri. to Core
 1500Vrms 1 minute @ Sec. to Core

G. Safety:

Insulation System ZM-130-5, Class B, UL File No.E177235
 UL506, General Purpose, US and Canada, File No.E177998



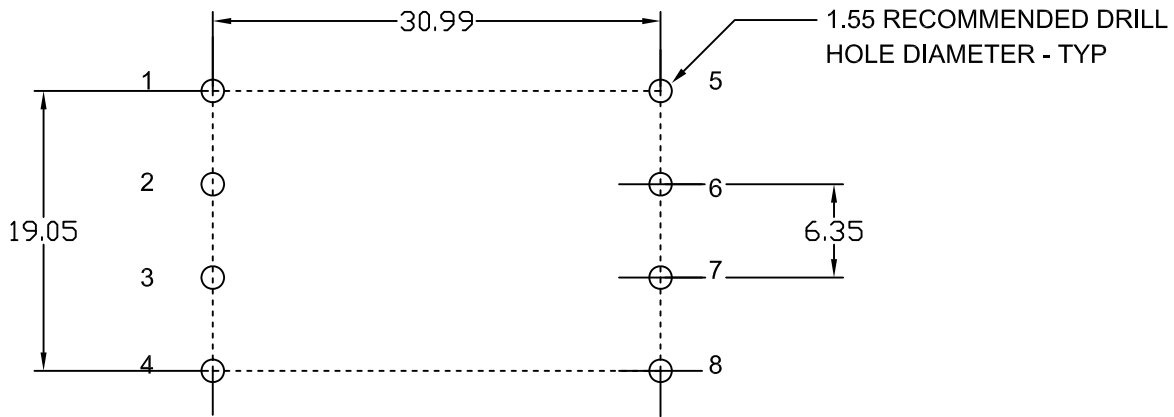
2. MECHANICAL SPECIFICATIONS:



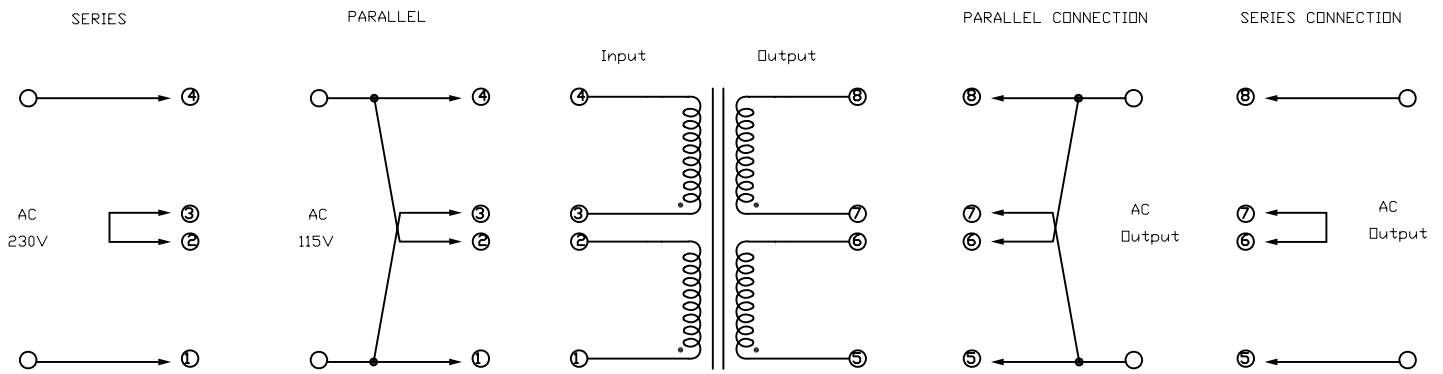
REV.	DESCRIPTION	DRAWN	DATE(M/D/Y)
B/1	Modify some dimension, Correct input voltage.	ye	Jun 19,2009
B/0	MODIFY LENGTHS OF THE PIN	ye	June 12,2006
A	CREATED DRAWING	ZHENG	June 17,2002

TOLERANCE		SCALE NOT 1:1	UNIT mm	DATE (M/D/Y)	MODEL DESCRIPTION
X	± 0.3	DRAWN	ye	Jun 19,2009	XIAMEN ZETTLER TITLE ADH200series PCD
X.X	± 0.2	CHECKED			
X.XX	± 0.1	QC			
THICKNESS	/	APPROVED	Sunny Sun	Jun 19,2009	
REV.	B/0				MATERIAL Class B 130° C MODEL: ADH200series SHEET: 1 OF 2

3. MOUNTING FOOTPRINT:



4. SCHEMATIC DIAGRAM:



5. ELECTRICAL TABLE:

PART NO.	PARALLEL CONNECTION		SERIES CONNECTION	
	AC VOLTAGE	CURRENT	AC VOLTAGE	CURRENT
ADH20010	5V	220mA	10V	110mA
ADH20012	6.3V	180mA	12.6V	90mA
ADH20016	8V	140mA	16V	70mA
ADH20020	10V	110mA	20V	55mA
ADH20024	12V	90mA	24V	45mA
ADH20028	14V	80mA	28V	40mA
ADH20036	18V	60mA	36V	30mA
ADH20048	24V	46mA	48V	23mA
ADH20056	28V	40mA	56V	20mA
ADH20120	60V	18.3mA	120V	9.2mA

B/1	Modify some dimension, Correct input voltage.	ye	Jun 19, 2009
B/0	MODIFY LENGTHS OF THE PIN	ye	June 12, 2006
A	CREATED DRAWING	ZHENG	June 17, 2002
REV.	DESCRIPTION	DRAWN	DATE(M/D/Y)

TOLERANCE		SCALE NOT 1:1	UNIT mm	DATE (M/D/Y)	MODEL DESCRIPTION	
X	±0.3	DRAWN	ye	Jun 19, 2009	XIAMEN ZETTLER	MATERIAL Class B 130° C
X.X	±0.2	CHECKED				MODEL: ADH200series
X.XX	±0.1	QC				SHEET: 2 OF 2
THICKNESS	/	APPROVED	Sunny Sun	Jun 19, 2009		TITLE ADH200series PCD
REV.	B/0					