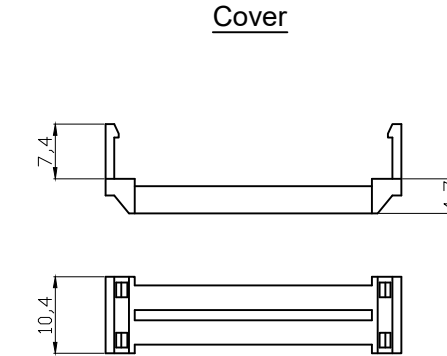
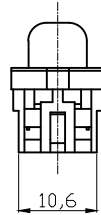
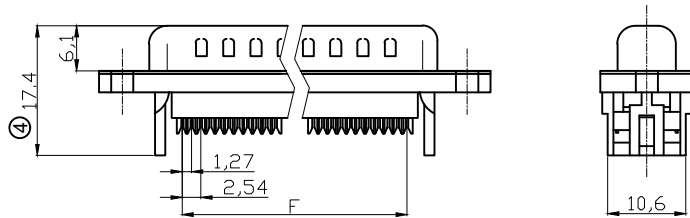
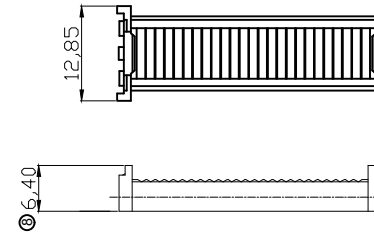
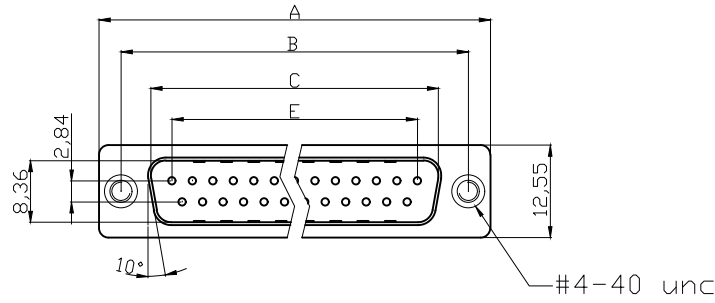


Male



Product Specification

Material
 Insulator : Glass-Filled Thermoplastic PBT, UL94V-0, Black
 Contact : Copper alloy , plating gold flash selective gold
 Shell : Steel, 100u" Tin Over 50u" min Copper
 Clinch Nut : Brass, Nickel Plated

Electrical
 Contact Resistance : 20 milliohms Max at 1 AMP DC.
 Insulation Resistance : 1000 megohms at 500 VDC
 Dielectric Withstanding Voltage : 1000 VAC/rms 60Hz for 1 minute
 Current Rating : 3 AMP
 Voltage Rating : 250 VAC/rms 60Hz
 ③ Wire Spec : 26AWG~28 AWG
 ⑦ Operating Temperature : -55°C ~ +105°C
 ⑥ UL E No #E198287

Order Code: A-DxF xx LPIII/Z-UNC
 Contact Type: F - Female, S - Male
 UNC - UNC 4-40 thread
 Standard: Quality class III
 No. of Contact: 09 / 15 / 25 / 37

With Insulator Support

Strain Relief

Dimensions

Positions	A	B	C	E	F
9	30.81	24.99	16.92	11.08	13.10
15	39.20	33.30	25.25	19.39	20.70
25	53.04	47.04	38.96	33.24	33.68
37	69.40	63.50	55.42	49.86	50.30

RoHS compliant

Unit:mm



⑨ E198287

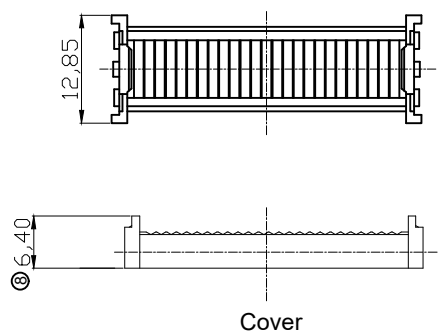
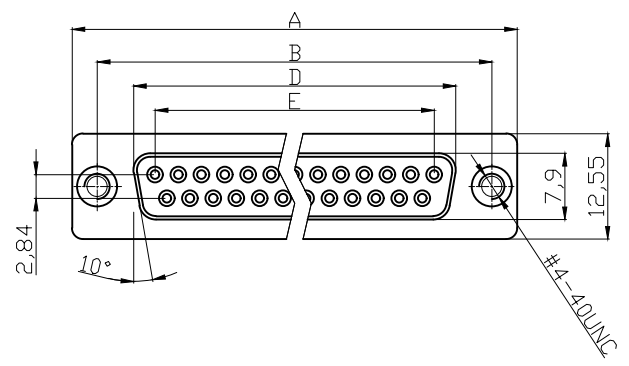
Scale	Free	⑩	Add P/N and sheet 3&4	03.03.2022	Daniel	Date	Name	Customer-No.
TOLERANCE		⑨	Add UL logo	27.02.2020	Winnie	Drawn	15.08.2012	Lucas
X.	±0.38	⑧	Update the dimesnion	27.02.2015	Winnie	Approved	03.03.2022	Daniel
X.X	±0.25	⑦	Change the operating temperature	19.11.2014	Winnie			
X.XX	±0.13	⑥	Correct the UL-File number	03.04.2014	Winnie			
DIM	TOL	⑤	Update the 17.28mm into 17.10mm	07.03.2014	Winnie			
X.°	±3°	Id.	Modification	Date	Name			
X.X°	±1.0°							
Angle	TOL							

ASSMANN WSW-No.
A-DxF xx LPIII/Z-UNC

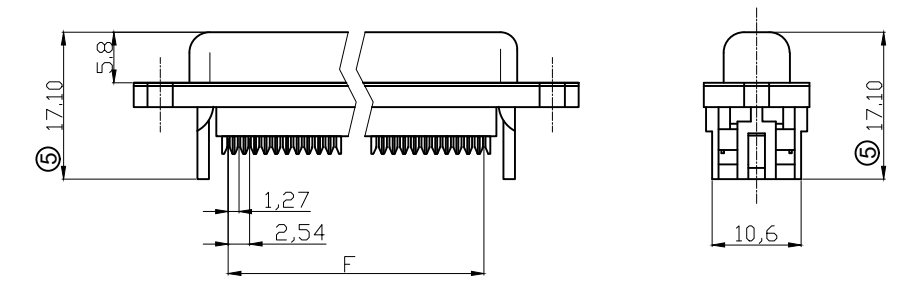
Drawing-No.
ASS 4892 CO rev10

Replace Sheet 1/4

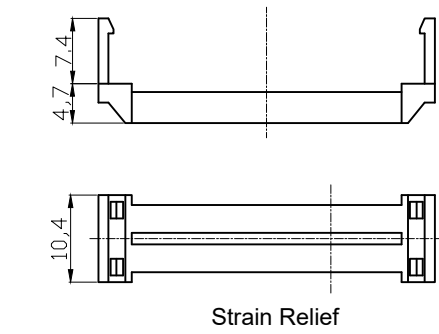
Female



Cover



With Insulator Support



Strain Relief

NOTES:

MATERIAL

- 1. Insulator Material: Glass-Filled Thermoplastic PBT, UL 94V-0, Black
- 2. Contact Material : Copper alloy , Gold flash selective gold
- 3. Shell : SPCC
- 4. Clinch Nut : Brass, Nickle Plated
- 5. Screwlock : Brass, Nickle Plated

ELECTRICAL

- 1. Current Rating : 3 AMP
- 2. Voltage Rating : 250 V AC/rms 60 Hz
- 3. Contact Resistance: 20mΩ max at 1 AMP DC
- 4. Insulation Resistance: 1000MΩ at 500 VDC
- 5. Withstand Voltage : 1000V AC/rms 60Hz for 1 minute
- ③ 6. Wire Spec : 26AWG~28 AWG
- ⑦ 7. Operating Temperature : -55°C+105°C

⑥ UL E No #E198287

Order Code:

A-DxF xx LPIII/Z-UNC

Contact Type
F - Female
S - Male

UNC - UNC 4-40 thread
Standard: Quality class III

No. of Contact
09 / 15 / 25 / 37

Dimensions

Positions	A	B	D	E	F
9	30.81	24.99	16.33	11.08	10.16
15	39.20	33.30	24.70	19.39	17.78
25	53.05	47.04	38.40	33.24	30.48
37	69.40	63.50	54.80	49.86	45.72

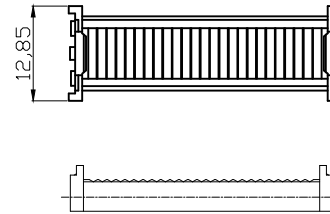
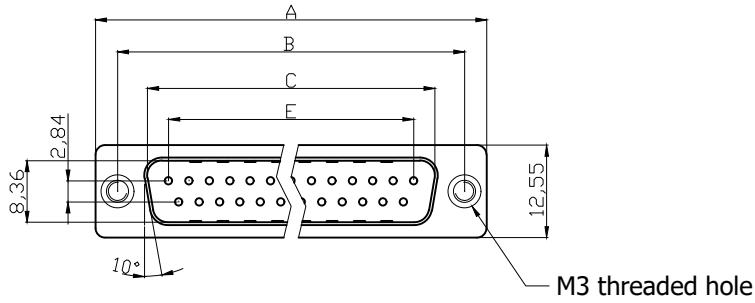
RoHS compliant
Unit:mm



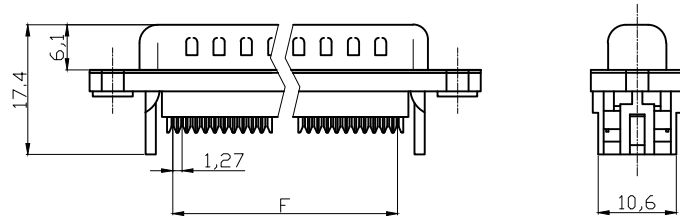
⑨ E198287

Scale	Free	①	Add P/N and sheet 3&4	03.03.2022	Daniel	Date	Name	Customer-No.			
TOLERANCE		②	Add UL logo	27.02.2020	Winnie	Drawn	15.08.2012	ASSMANN WSW-No. A-DxF xx LPIII/Z-UNC			
X.	±0.38	③	Update the dimesnion	27.02.2015	Winnie	Approved	03.03.2022				
X.X	±0.25	⑦	Change the operating temperature	19.11.2014	Winnie						
X.XX	±0.13	⑧	Correct the UL-File number	03.04.2014	Winnie						
DIM	TOL	⑤	Update the 17.28mm into 17.10mm	07.03.2014	Winnie				Drawing-No.	ASS 4892 CO	rev10
X.°	±3°	Id.	Modification	Date	Name				Replace	Sheet	2/4
X.X°	±1.0°										
Angle	TOL										

Male



Cover



With Insulator Support

Dimensions

Positions	A	B	C	E	F
9	30.81	24.99	16.92	11.08	13.10
15	39.20	33.30	25.25	19.39	20.70
25	53.04	47.04	38.96	33.24	33.68
37	69.40	63.50	55.42	49.86	50.30

Product Specification

Material
 Insulator : Glass-Filled Thermoplastic PBT, UL94V-0, Black
 Contact : Copper alloy , Gold flash selective gold

Electrical

Contact Resistance : 20 milliohms Max at 1 AMP DC.
 Insulation Resistance : 1000 megohms
 Dielectric Withstanding Voltage : 1000 VAC/rms 60Hz for 1 minute
 Current Rating : 3 AMP
 Volatge Rating : 250 VAC/rms 60Hz
 Wire Spec : 26AWG~28 AWG
 Operating Temperature: -55°C ~ +105°C

Order Code:

A-DxF xx LPIII/Z-M3

Contact Type
 F - Female
 S - Male

M3 - M3 thread
 Standard: Quality class III
 No. of Contact
 09 / 15 / 25 / 37

RoHS compliant

Unit:mm

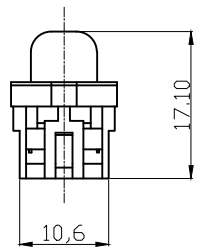
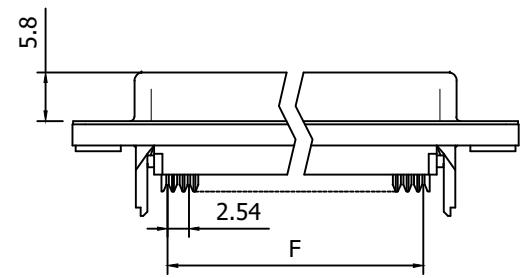
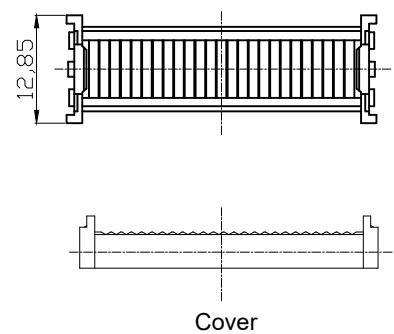
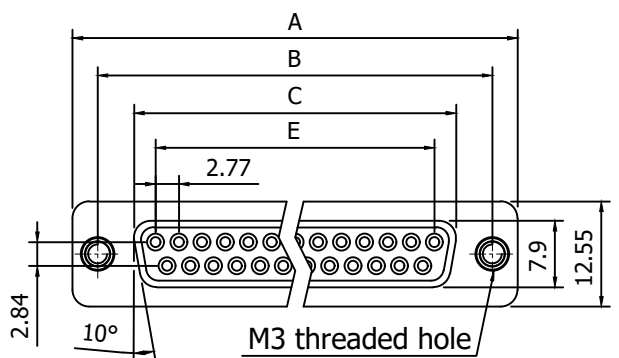
Scale	Free	⑩	Add P/N and sheet 3&4	03.03.2022	Daniel	Date	Name	Customer-No.	
TOLERANCE		⑨	Add UL logo	27.02.2020	Winnie	Drawn	15.08.2012	ASSMANN WSW-No. A-DxF xx LPIII/Z-M3	
X.	±0.38	⑧	Update the dimesnion	27.02.2015	Winnie	Approved	03.03.2022		
X.X	±0.25	⑦	Change the operating temperature	19.11.2014	Winnie				
X.XX	±0.13	⑥	Correct the UL-File number	03.04.2014	Winnie			Drawing-No.	
DIM	TOL	⑤	Update the 17.28mm into 17.10mm	07.03.2014	Winnie			ASS 4892 CO	rev10
X.°	±3°	Id.	Modification	Date	Name			Replace	Sheet 3/4
X.X°	±1.0°								
Angle	TOL								



ASS 4892 CO rev10

Replace Sheet 3/4

Female



With Insulator Support

Product Specification
Material
 Insulator : Glass-Filled Thermoplastic PBT , UL94V-0, Black
 Contact : Copper alloy ,Gold flash selective gold

Electrical
 Contact Resistance : 20 milliohms Max at 1 AMP DC.
 Insulation Resistance : 1000 megohms
 Dielectric Withstanding Voltage :1000 VAC/rms 60Hz for 1 minute
 Current Rating : 3 AMP
 Voltage Rating : 250 VAC/rms 60Hz
 Wire Spec: 26AWG~28AWG
 Operating Temperature:-55°C~+105°C

Order Code: A-DxF xx LPIII/Z-M3
 Contact Type
 F - Female
 S - Male
 M3 - M3 thread
 Standard: Quality class III
 No.of Contact
 09 / 15 / 25 / 37

Dimensions

Positions	A	B	D	E	F
9	30.81	24.99	16.33	11.08	10.16
15	39.20	33.30	24.70	19.39	17.78
25	53.05	47.04	38.40	33.24	30.48
37	69.40	63.50	54.80	49.86	45.72

RoHS compliant
 Unit:mm

Scale	Free	①	Add P/N and sheet 3&4	03.03.2022	Daniel	Date	Name	Customer-No.
TOLERANCE		②	Add UL logo	27.02.2020	Winnie	Drawn	15.08.2012	Lucas
X.	±0.38	③	Update the dimesnion	27.02.2015	Winnie	Approved	03.03.2022	Daniel
X.X	±0.25	⑦	Change the operating temperature	19.11.2014	Winnie			
X.XX	±0.13	⑥	Correct the UL-File number	03.04.2014	Winnie			
DIM	TOL	⑤	Update the 17.28mm into 17.10mm	07.03.2014	Winnie			
X.°	±3°	Id.	Modification	Date	Name			
X.X°	±1.0°							
Angle	TOL							

ASSMANN WSW-No.
A-DxF xx LPIII/Z-M3

Drawing-No.
ASS 4892 CO rev10

Replace Sheet 4/4