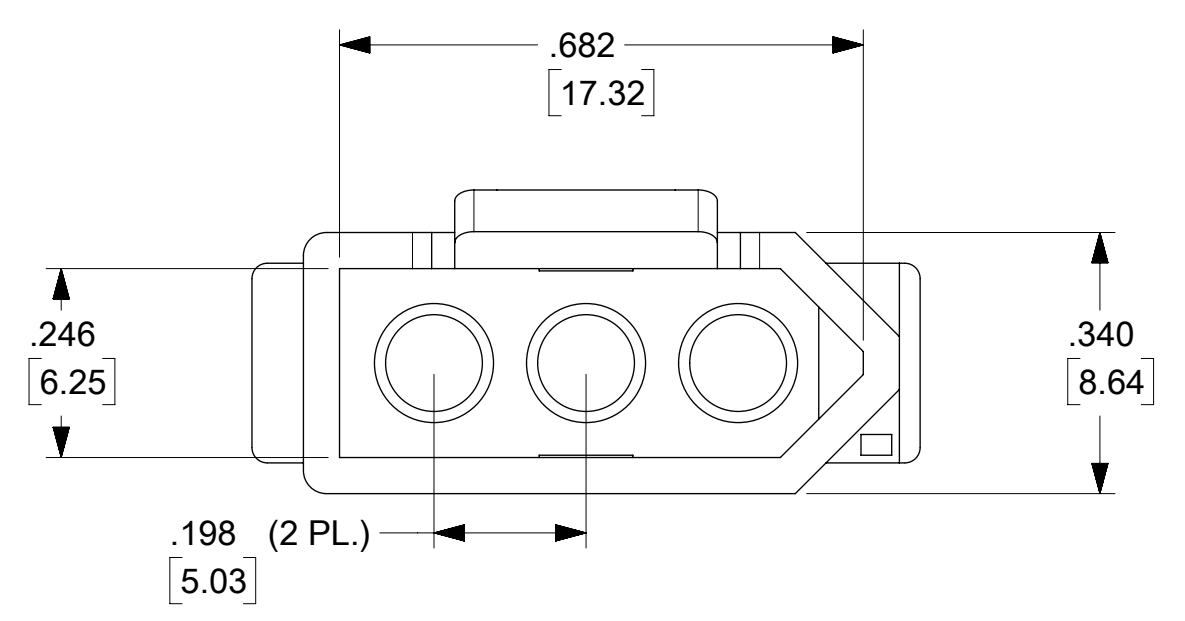
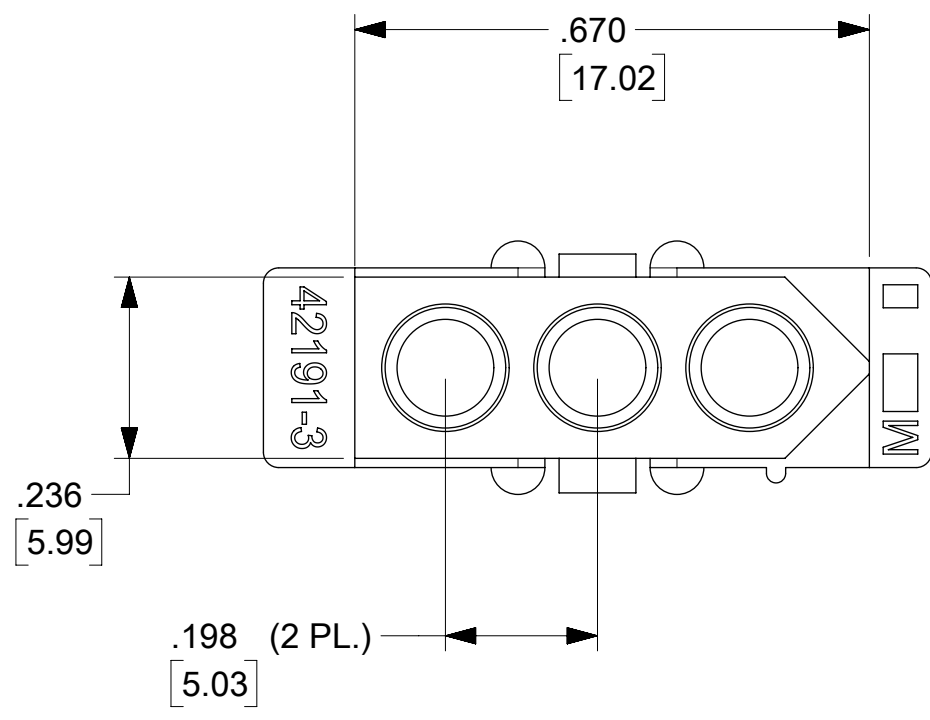
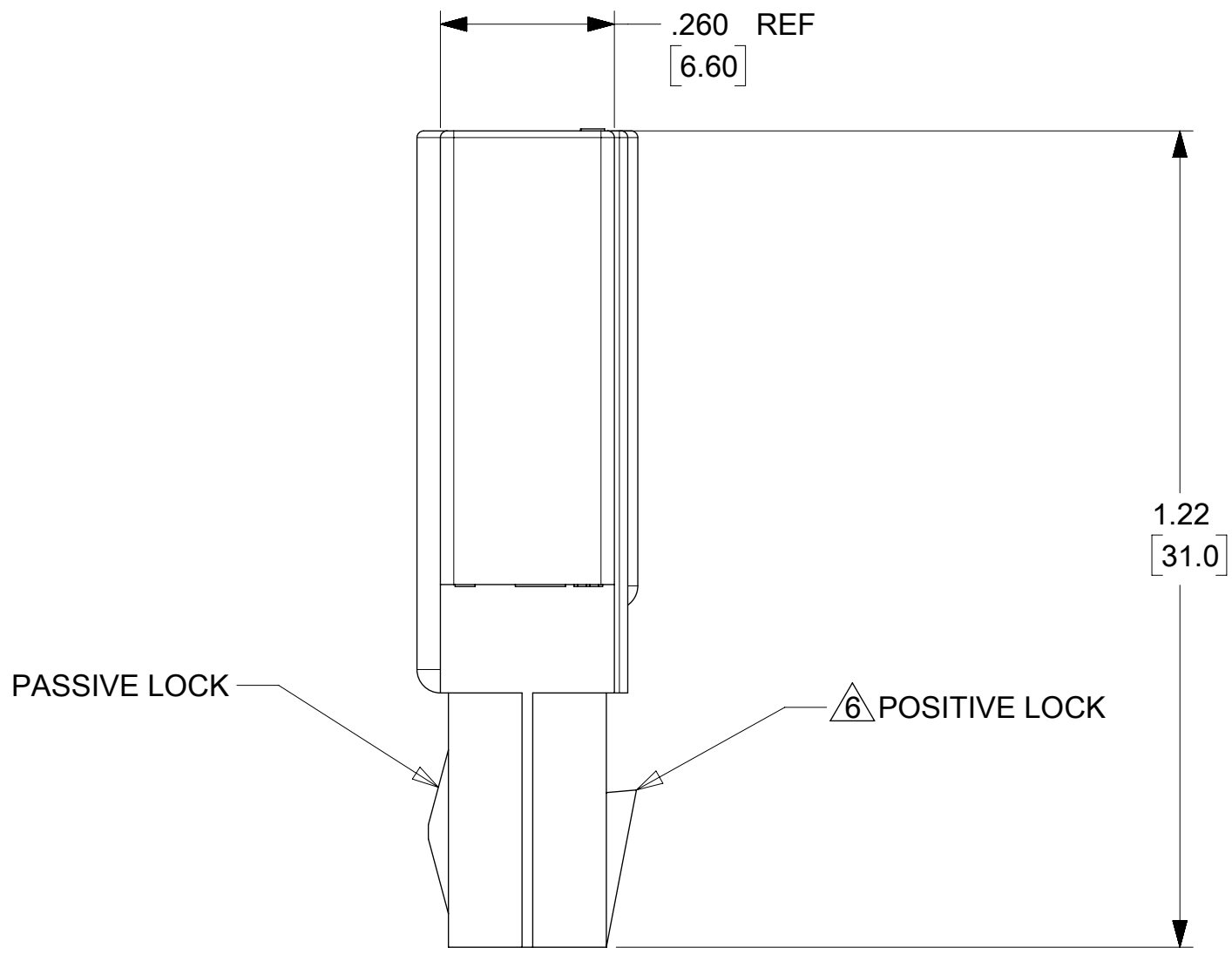
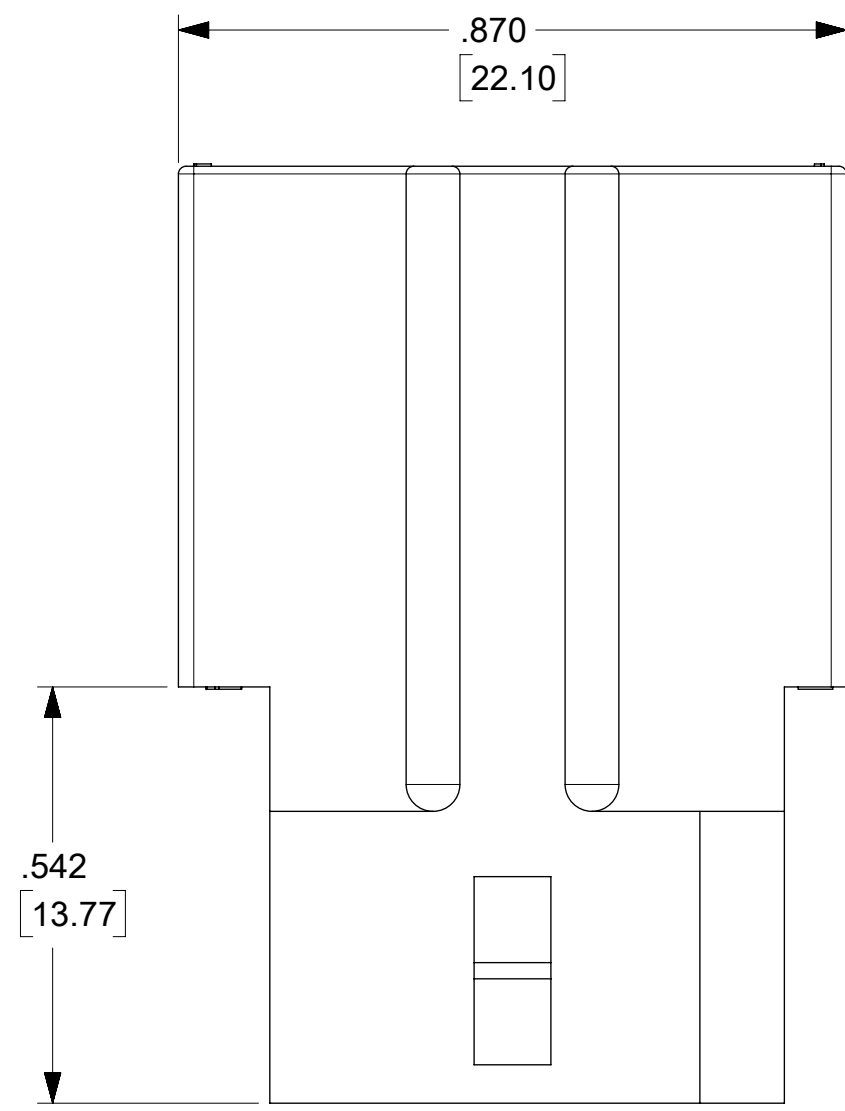
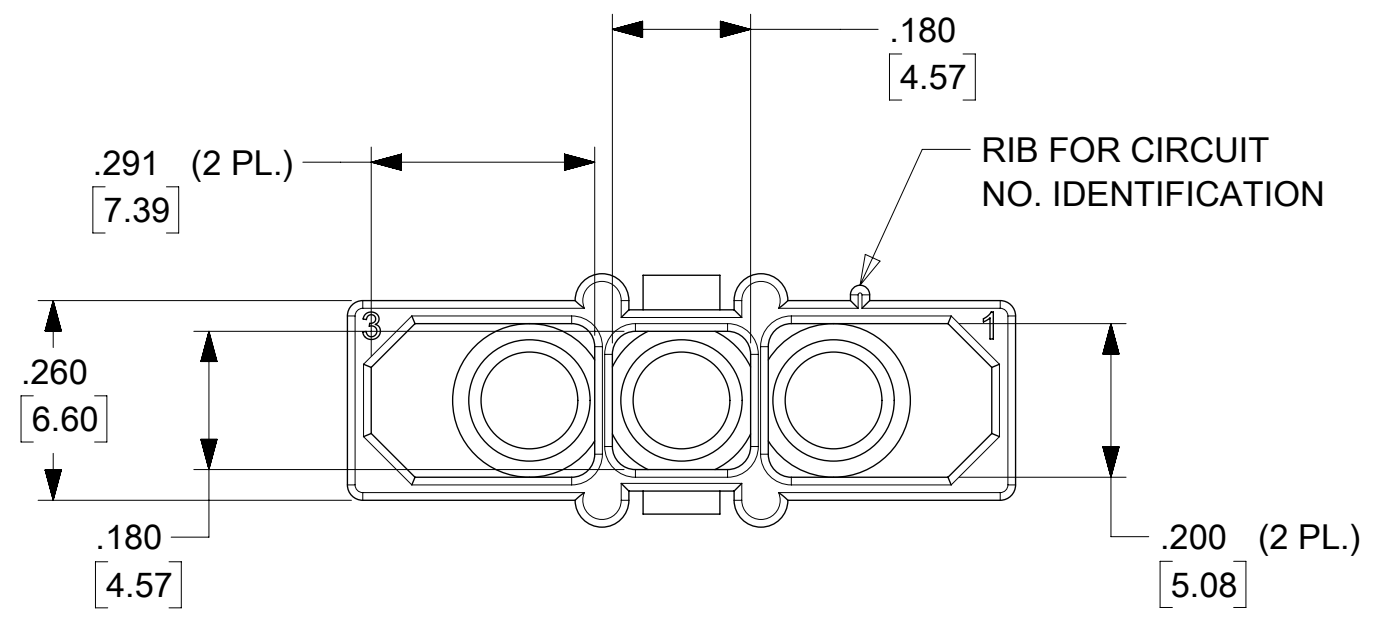


PLUG HOUSING



QUALITY SYMBOLS		THIS DRAWING CONTAINS INFORMATION THAT IS PROPRIETARY TO MOLEX ELECTRONIC TECHNOLOGIES, LLC AND SHOULD NOT BE USED WITHOUT WRITTEN PERMISSION						
▽ = 0	▽ = 0	GENERAL TOLERANCES (UNLESS SPECIFIED)		DIMENSION UNITS	SCALE			
▽ = 0	▽ = 0			IN/MM	4:1	PRODUCT CUSTOMER DRAWING		
▽ = 0	▽ = 0			MM				SERIES: 42191 MATERIAL NUMBER: SEE CHART CUSTOMER: GENERAL MARKET
▽ = 0	▽ = 0			INCH		DOCUMENT NUMBER: 421910300-SD DOC TYPE: PSD DOC PART: 000 SHEET NUMBER: 1 OF 3		
▽ = 0	▽ = 0			DRWN BY: AELHAG	DATE: 12/17/2008			EC NO: 108502 DRWN: BAPPELDORN CHKD: MKIPPER APPR: FSMITH
▽ = 0	▽ = 0			CHK'D BY: JBELL	DATE: 12/17/2008			
▽ = 0	▽ = 0			APPR BY: FSMITH	DATE: 2014/12/18	DRAWING SIZE: C THIRD ANGLE PROJECTION		
▽ = 0	▽ = 0			ANGULAR TOL = 1/2				
▽ = 0	▽ = 0			DRAFT WHERE APPLICABLE MUST REMAIN WITHIN DIMENSIONS				



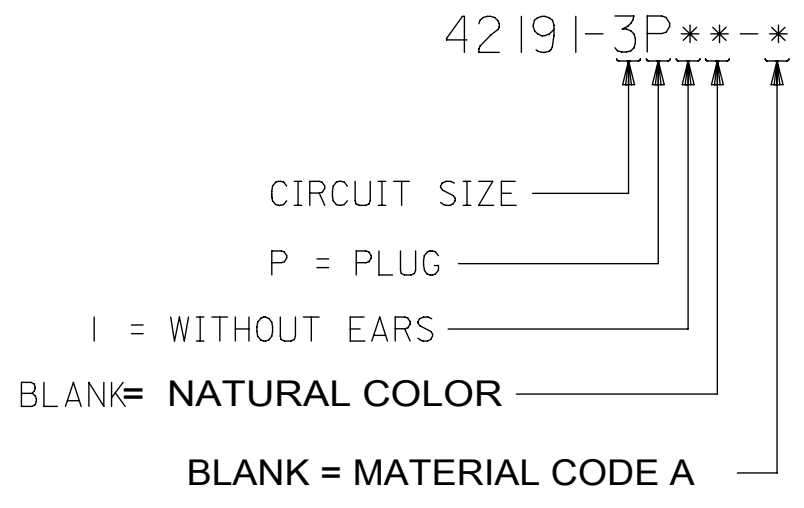
RECEPTACLE HOUSING

QUALITY SYMBOLS		THIS DRAWING CONTAINS INFORMATION THAT IS PROPRIETARY TO MOLEX ELECTRONIC TECHNOLOGIES, LLC AND SHOULD NOT BE USED WITHOUT WRITTEN PERMISSION											
▽ = 0	ADD PK SPEC	GENERAL TOLERANCES (UNLESS SPECIFIED)				DIMENSION UNITS		SCALE					
▽ = 0		MM		INCH		IN/MM		4:1					
▽ = 0		4 PLACES ± ±				DRWN BY		DATE		.093/(2.36) HOUSING PLUG AND RECEPTACLE 3 CIRCUIT			
▽ = 0		3 PLACES ± ± .010				AELHAG		12/17/2008					
▽ = 0		2 PLACES ± 0.25 ± .014				CHK'D BY		DATE		PRODUCT CUSTOMER DRAWING			
▽ = 0		1 PLACES ± 0.36 ±				JBELL		12/17/2008					
▽ = 0	0 PLACES ± ±				APPR BY		DATE		SERIES MATERIAL NUMBER CUSTOMER 42191 SEE CHART GENERAL MARKET				
▽ = 0	ANGULAR TOL = 1/2				FSMITH		2014/12/18						
▽ = 0	DRAFT WHERE APPLICABLE MUST REMAIN WITHIN DIMENSIONS				DRAWING SIZE		THIRD ANGLE PROJECTION		DOCUMENT NUMBER DOC TYPE DOC PART SHEET NUMBER 421910300-SD PSD 000 2 OF 3				
▽ = 0	A		C		C		C						

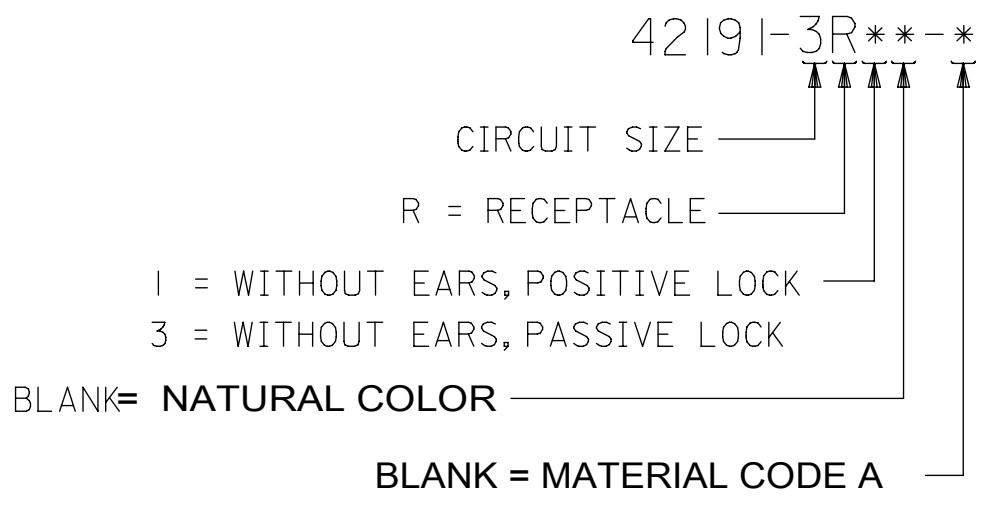
PLUG	
PART NO.	ENG. NO.
03-09-2171	42191-3P1

RECEPTACLE	
PART NO.	ENG. NO.
03-09-1171	42191-3R1
03-09-1173	42191-3R3

LEGEND: PLUG



LEGEND: RECEPTACLE



NOTES:

- MATERIAL CODES:
A = NYLON TYPE 6/6, 94V-2
- FINISH: NONE.
- PRODUCT SPECIFICATION: NONE.
- PACKAGING INFORMATION: 421910000-PK.
- ALL THREE CIRCUITS ACCEPT DOUBLE WIRE CRIMPS OF 18 AWG MAXIMUM. CIRCUIT NO'S. 1 AND 3 WILL EACH ALLOW ONE OF THE WIRES TO HAVE AN OVERSIZE INSULATION THICKNESS OF .062/(1.57). CIRCUIT NO. 2 REQUIRES THAT BOTH WIRES NOT EXCEED AN INSULATION THICKNESS OF .031/(0.79).
- LOCK RAMP STYLE IS OPTIONAL ON THIS SIDE OF PART. CHOICE OF EITHER A POSITIVE LOCK RAMP OR A PASSIVE LOCK RAMP IS AVAILABLE.
- PARTS CONFORM TO CLASS 'B' REQUIREMENTS OF COSMETIC SPECIFICATION PS-45499-002.

QUALITY SYMBOLS 	THIS DRAWING CONTAINS INFORMATION THAT IS PROPRIETARY TO MOLEX ELECTRONIC TECHNOLOGIES, LLC AND SHOULD NOT BE USED WITHOUT WRITTEN PERMISSION										
	ADD PK SPEC EC NO: 108502 DRWN: BAPPELDORN CHKD: MKIPPER REV APPR: FSMITH	GENERAL TOLERANCES (UNLESS SPECIFIED)		DIMENSION UNITS		SCALE					
			MM	INCH	IN/MM	4:1					
		4 PLACES ±	±		DRWN BY	DATE	.093/(2.36) HOUSING PLUG AND RECEPTACLE 3 CIRCUIT				
		3 PLACES ±	± .010		AELHAG	12/17/2008					
		2 PLACES ±	± 0.25 ± .014		CHK'D BY	DATE	PRODUCT CUSTOMER DRAWING				
	1 PLACES ±	± 0.36 ±		JBELL	12/17/2008						
	0 PLACES ±	±		APPR BY	DATE	SERIES MATERIAL NUMBER CUSTOMER 42191 SEE CHART GENERAL MARKET					
				FSMITH	2014/12/18						
		ANGULAR TOL = 1/2		DRAWING SIZE	THIRD ANGLE PROJECTION		DOCUMENT NUMBER DOC TYPE DOC PART SHEET NUMBER 421910300-SD PSD 000 3 OF 3				
	DRAFT WHERE APPLICABLE MUST REMAIN WITHIN DIMENSIONS		C								